

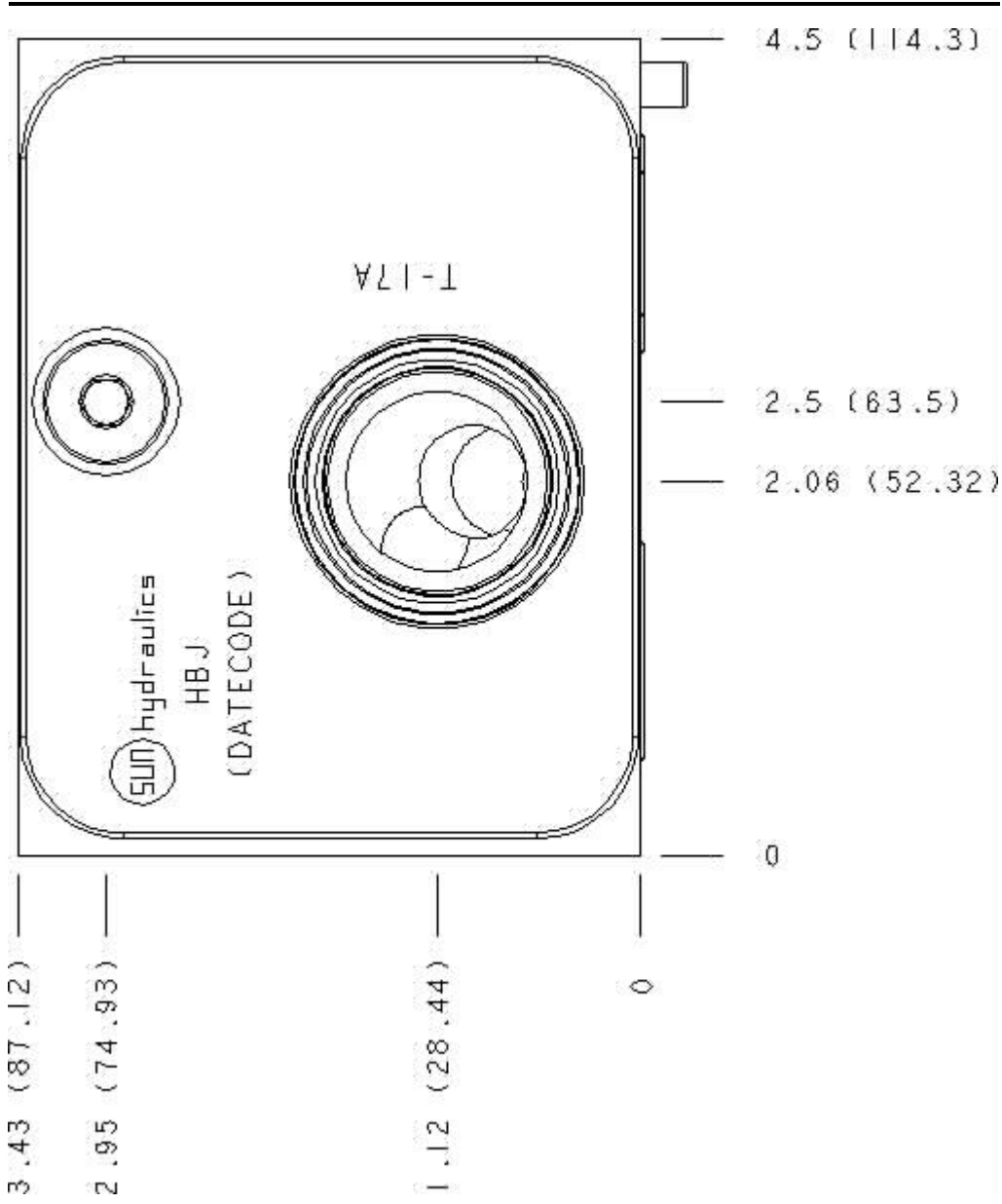
Functional Group:

Model:

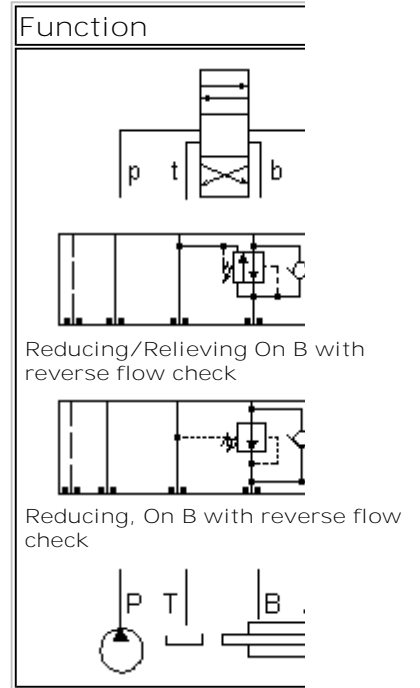
Products : Manifolds : Sandwich : Reducing/Relieving : ISO 08 : On B, tank to T with reverse flow check

HBJ

Face : 8



Cartridge extension measurement is to the centerline of the cartridge.



Aluminum Body Pressure Rating: **3000 psi (210 bar)**  
 Ductile Iron Body Pressure Rating: **5000 psi (350 bar)**

Port Headings and Sizes:

Gage Port (Plugged)

Gage Port (Plugged)

## Technical Data

	<b>U.S. Units</b>	<b>Metric Units</b>
<b>Model Weight</b>	9.60 lb.	4.35 kg.
<b>Cavity</b>	T-17A	
<b>Body Features</b>	On B, port 3 to T	
<b>Body Type</b>	Sandwich	
<b>Interface</b>	ISO 08	
<b>Open Cavity Quantity</b>	1	
<b>Stack Height</b>	3.44 in.	87 mm

## Option Selection:

Model Code	Description
HBJ	Aluminum, Buna-N, U.S. Units
HBJ/M	Aluminum, Buna-N, Metric
HBJ/S	Ductile Iron, Buna-N, U.S. Units
HBJ/T	Ductile Iron, Buna-N, Metric
HBJ/V	Aluminum, Viton, U.S. Units
HBJ/W	Ductile Iron, Viton, Metric
HBJ/Y	Ductile Iron, Viton, U.S. Units
HBJ/Z	Aluminum, Viton, Metric

## Special Notes :

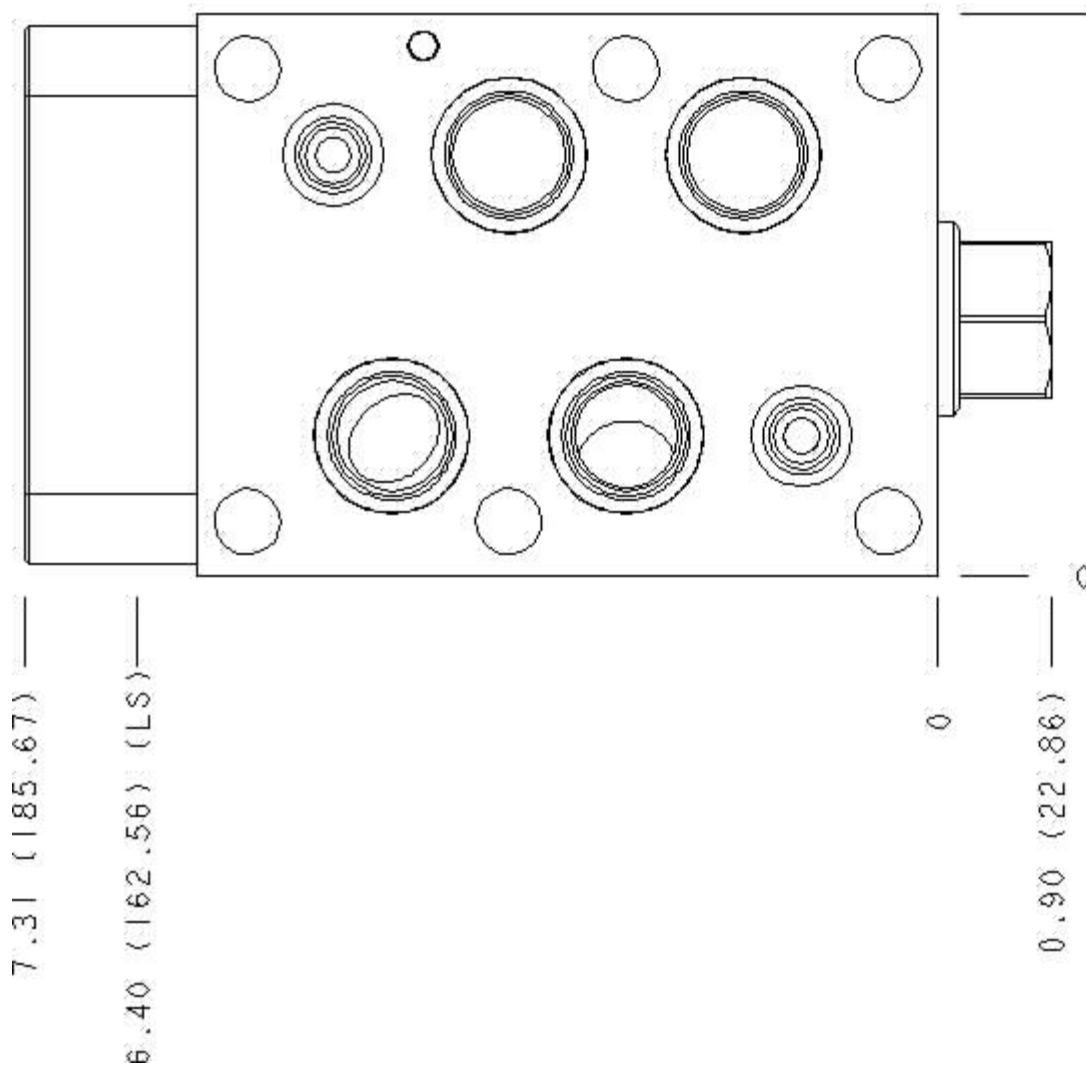
No Special Notes available for selected Model.



Functional Group:  
 Products : Manifolds : Sandwich : Reducing/Relieving : ISO 08 : On B, tank to  
 T with reverse flow check

Model:  
 HBJ

Face : 5



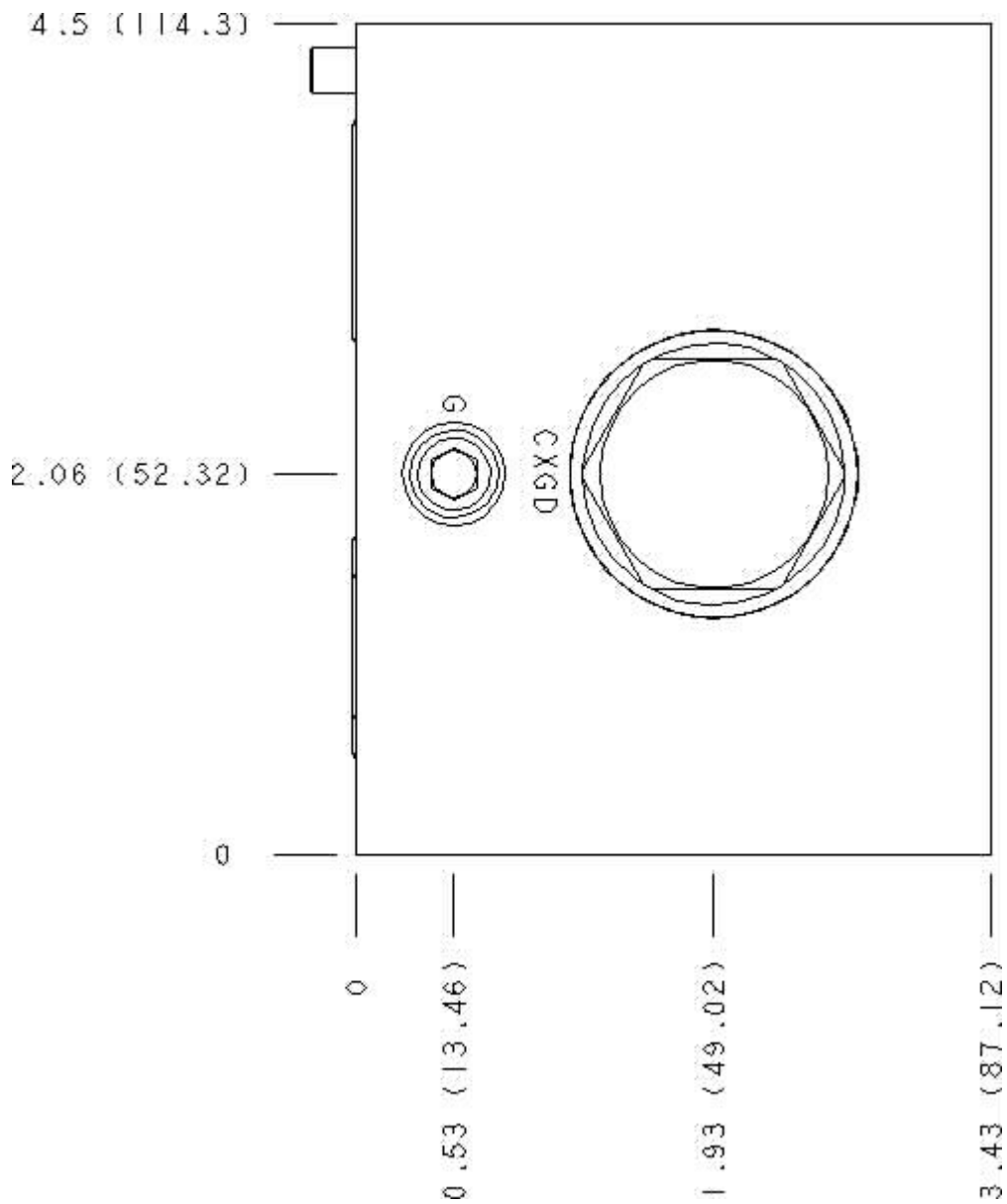
Cartridge extension measurement is to the centerline of the cartridge.



Functional Group:  
 Products : Manifolds : Sandwich : Reducing/Relieving : ISO 08 : On B, tank to  
 T with reverse flow check

Model:  
 HBJ

Face : 6



Cartridge extension measurement is to the centerline of the cartridge.

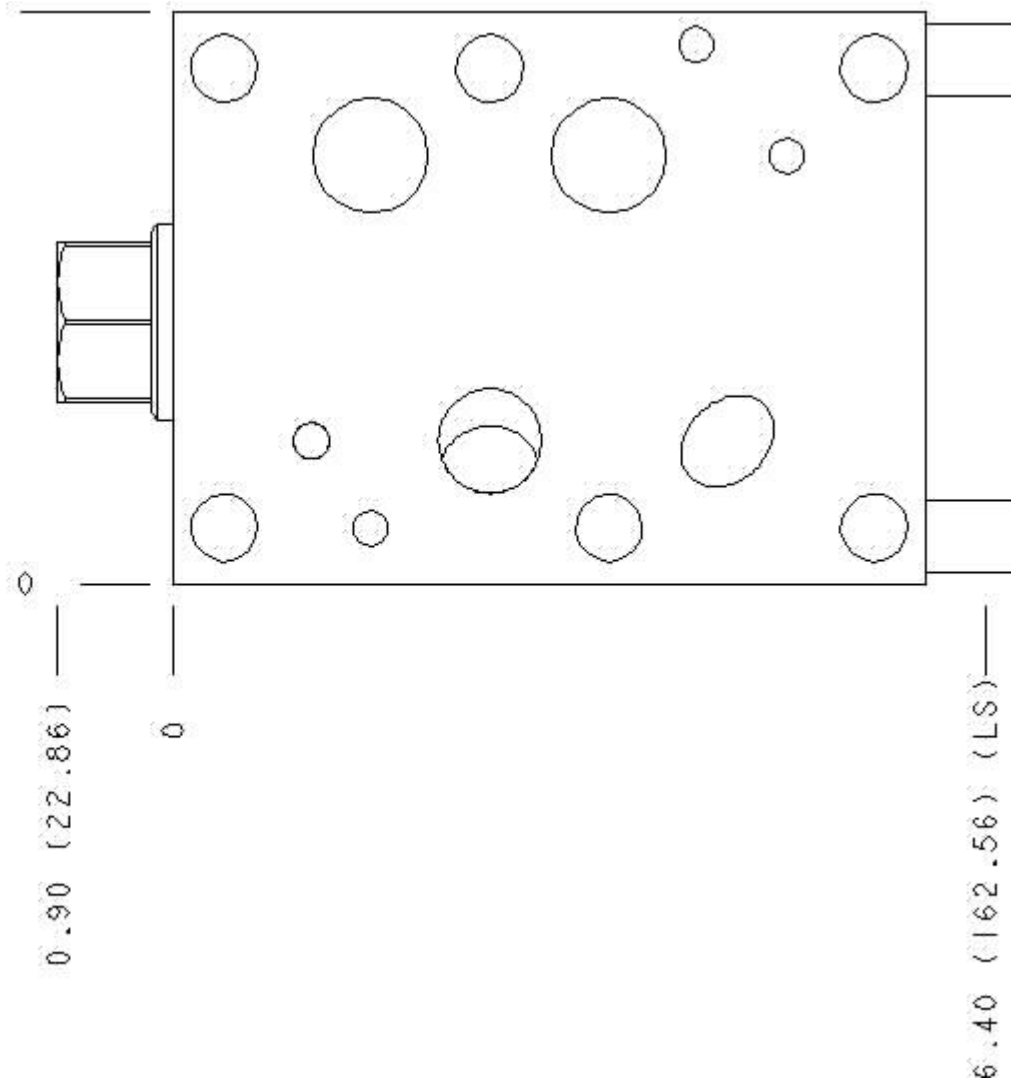


Functional Group:  
 Products : Manifolds : Sandwich : Reducing/Relieving : ISO 08 : On B, tank to  
 T with reverse flow check

Model:  
 HBJ

Face : 7

4.15 (114.3)



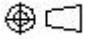
Cartridge extension measurement is to the centerline of the cartridge.



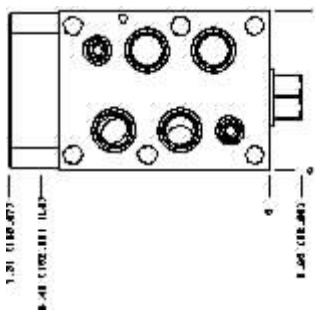
Functional Group:

Products : Manifolds : Sandwich : Reducing/Relieving :  
ISO 08 : On B, tank to T with reverse flow check

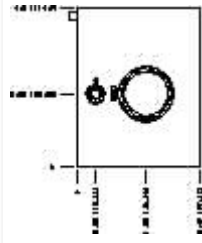
Model:  
HBJ

Projection Type 

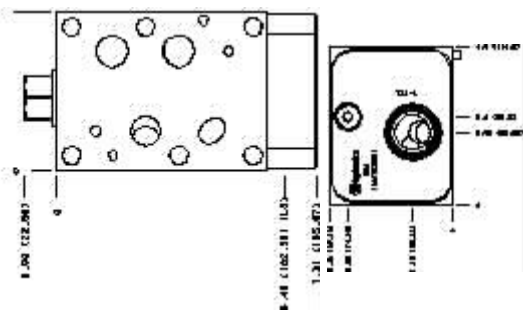
All Dimensions in Inches(mm)



4.3 (114.31)



4.5 (114.31)



Copyright © 2007-2008 Sun Hydraulics Corporation.  
All rights reserved.

[Terms and Conditions](#) - [Statement of Privacy](#)