

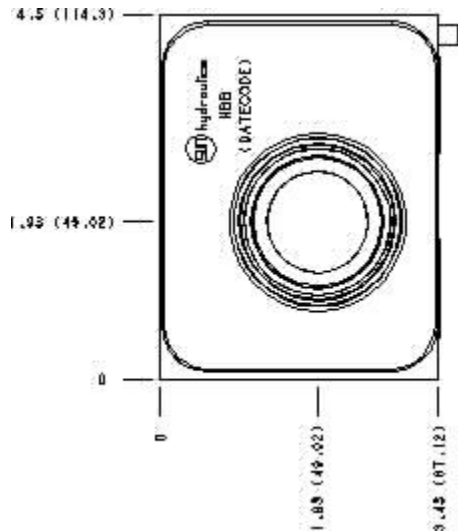
Functional Group:

Model:

Products : Manifolds : Sandwich : Counterbalance : ISO 08 : On B, port 3 to A high capacity

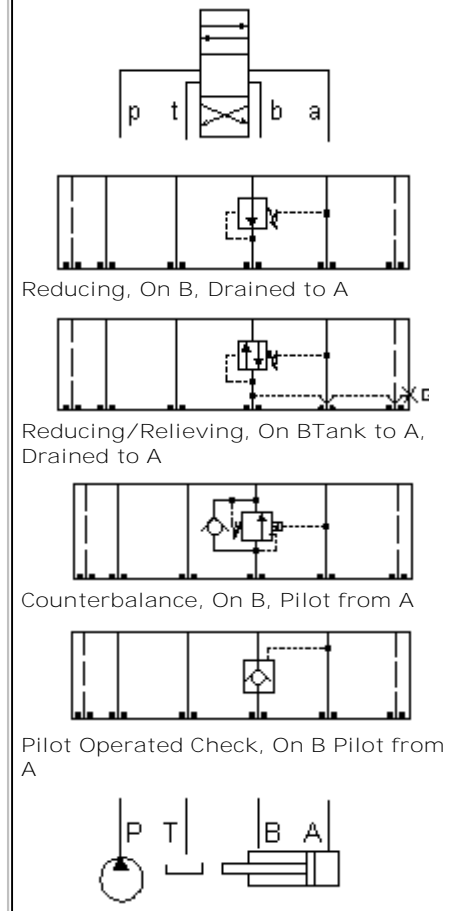
HBB

Face : 7



Cartridge extension measurement is to the centerline of the cartridge.

Function



Aluminum Body Pressure Rating: **3000 psi (210 bar)**  
 Ductile Iron Body Pressure Rating: **5000 psi (350 bar)**

Technical Data

	U.S. Units	Metric Units
<b>Model Weight</b>	10.08 lb.	4.57 kg.
<b>Cavity</b>	T-19A	
<b>Body Features</b>	On B, port 3 to A	
<b>Body Type</b>	Sandwich	
<b>Interface</b>	ISO 08	
<b>Open Cavity Quantity</b>	1	
<b>Stack Height</b>	3.44 in.	87 mm

Option Selection:

Model Code	Description
HBB	Aluminum, Buna-N, U.S. Units
HBB/S	Ductile Iron, Buna-N, U.S. Units
HBB/V	Aluminum, Viton, U.S. Units
HBB/Y	Ductile Iron, Viton, U.S. Units

Special Notes :

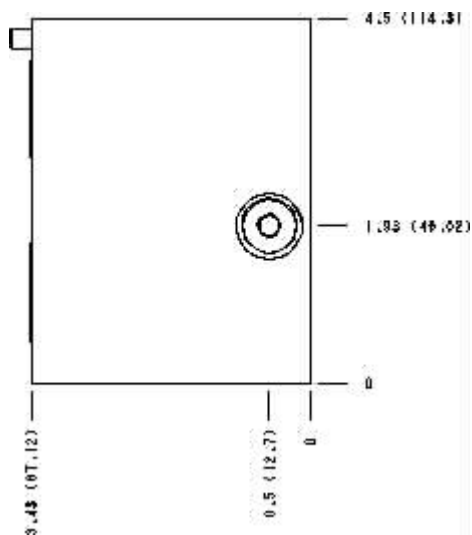
No Special Notes available for selected Model.



Functional Group:  
Products : Manifolds : Sandwich : Counterbalance : ISO 08 : On B, port 3 to A  
high capacity

Model:  
HBB

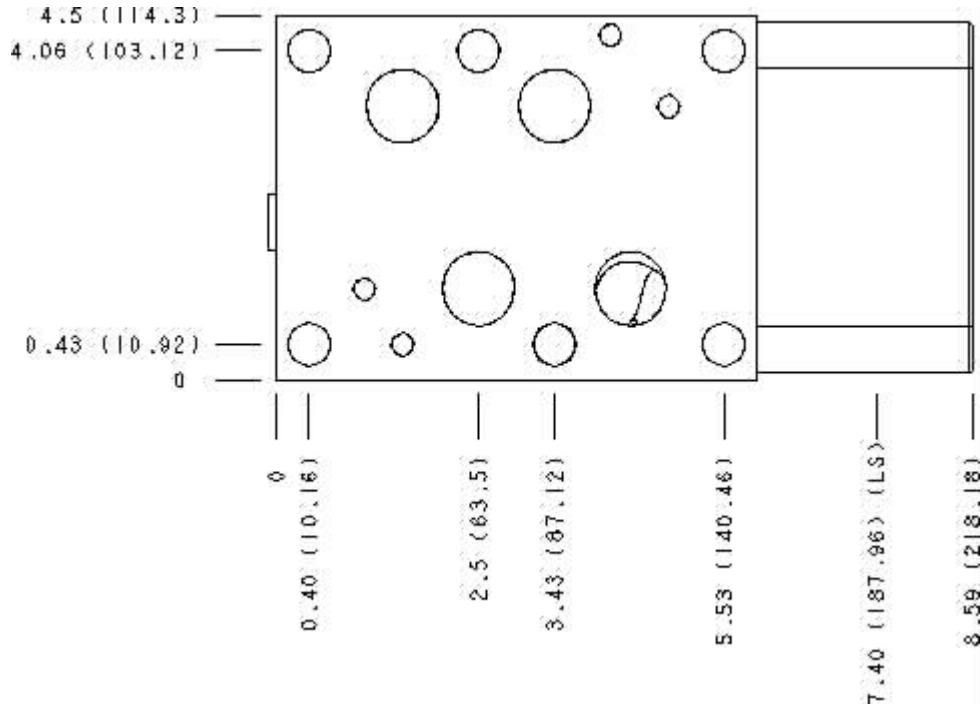
Face : 5



Cartridge extension measurement is to the centerline of the cartridge.



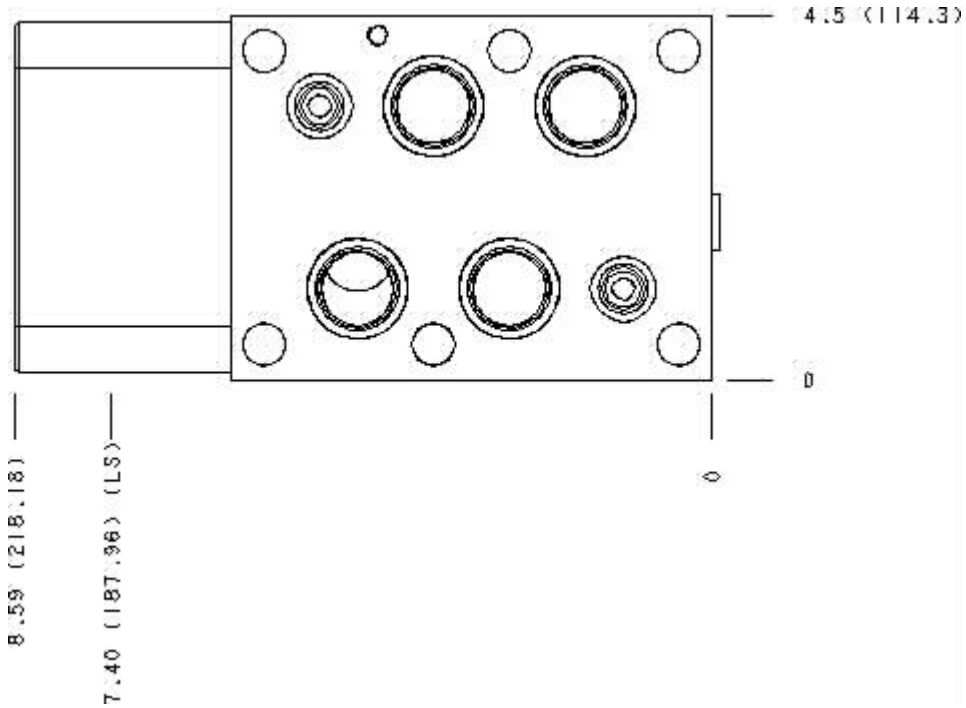
Face : 6



Cartridge extension measurement is to the centerline of the cartridge.



Face : 8



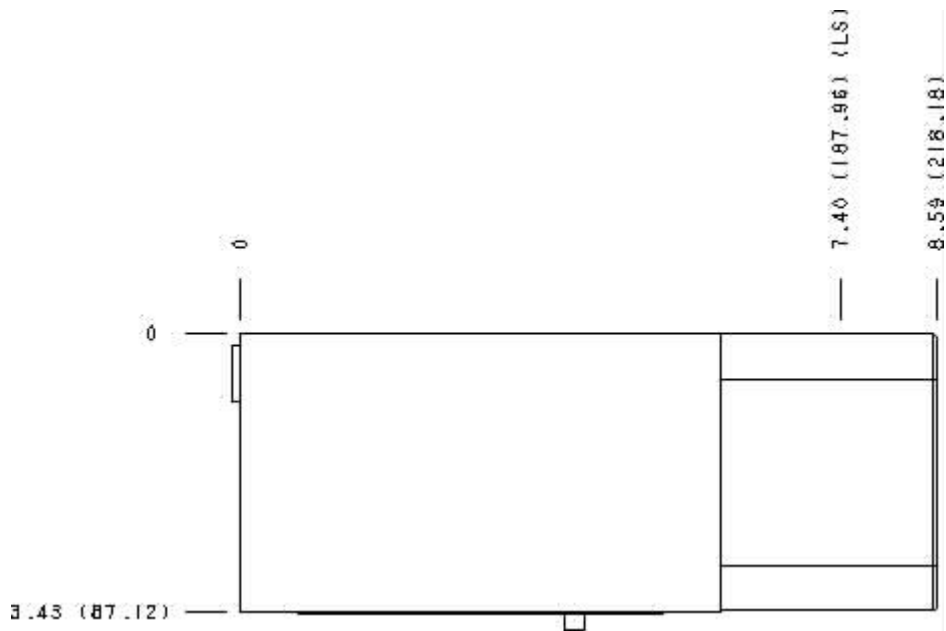
Cartridge extension measurement is to the centerline of the cartridge.



Functional Group:  
 Products : Manifolds : Sandwich : Counterbalance : ISO 08 : On B, port 3 to A  
 high capacity

Model:  
 HBB

Face : 10



Cartridge extension measurement is to the centerline of the cartridge.

