

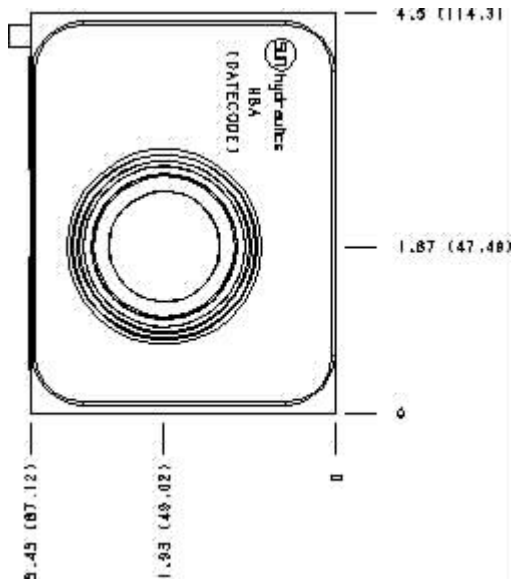
Functional Group:

Model:

Products : Manifolds : Sandwich : Counterbalance : ISO 08 : On A, port 3 to B high capacity

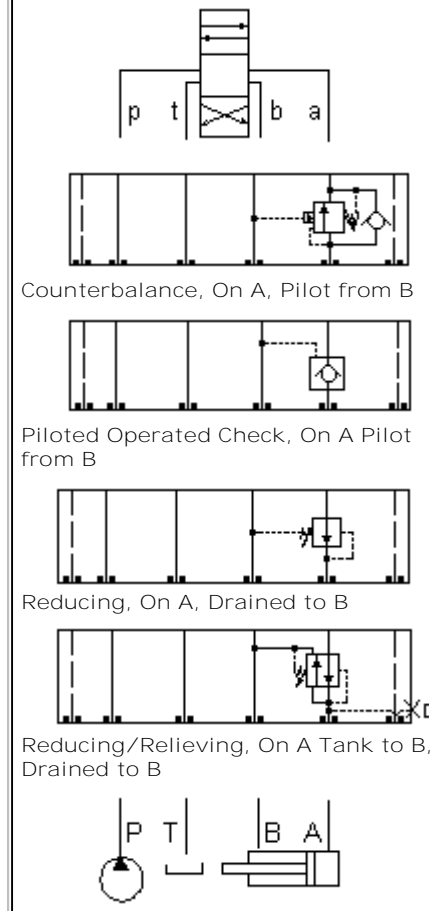
HBA

Face : 5



Cartridge extension measurement is to the centerline of the cartridge.

Function



Aluminum Body Pressure Rating: **3000 psi (210 bar)**

Ductile Iron Body Pressure Rating: **5000 psi (350 bar)**

Technical Data

	U.S. Units	Metric Units
<b>Model Weight</b>	8.78 lb.	3.98 kg.
<b>Cavity</b>	T-19A	
<b>Body Features</b>	On A, port 3 to B	
<b>Body Type</b>	Sandwich	
<b>Interface</b>	ISO 08	
<b>Open Cavity Quantity</b>	1	
<b>Stack Height</b>	3.44 in.	87 mm

Option Selection:

Model Code	Description
HBA	Aluminum, Buna-N, U.S. Units
HBA/S	Ductile Iron, Buna-N, U.S. Units
HBA/V	Aluminum, Viton, U.S. Units
HBA/Y	Ductile Iron, Viton, U.S. Units

Special Notes :

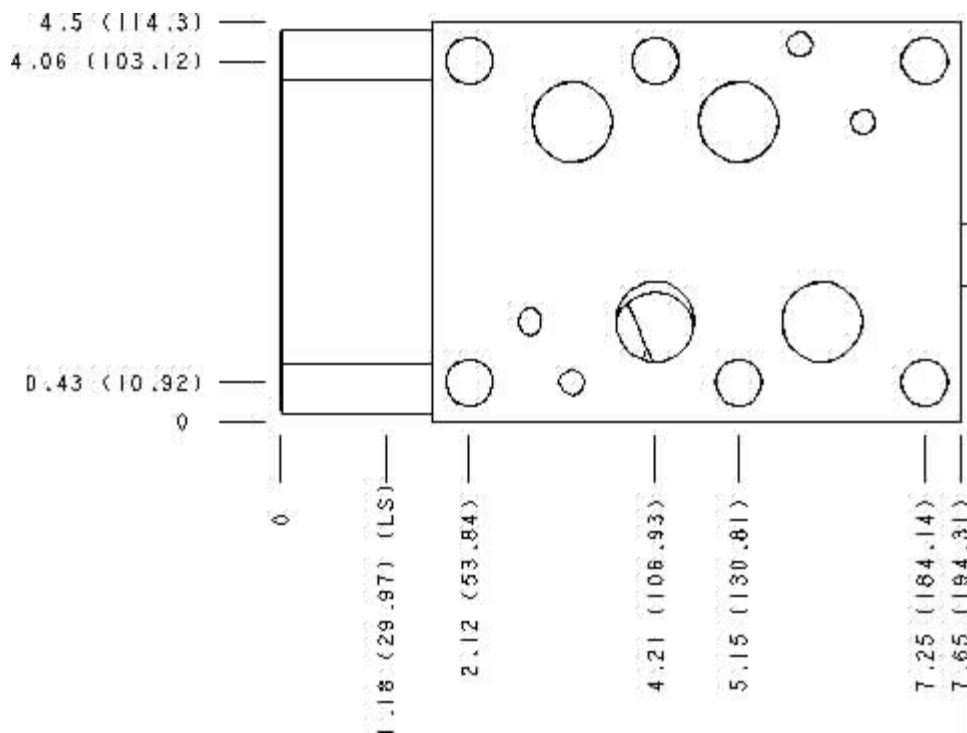
No Special Notes available for selected Model.



Functional Group:  
 Products : Manifolds : Sandwich : Counterbalance : ISO 08 : On A, port 3 to B  
 high capacity

Model:  
 HBA

Face : 6



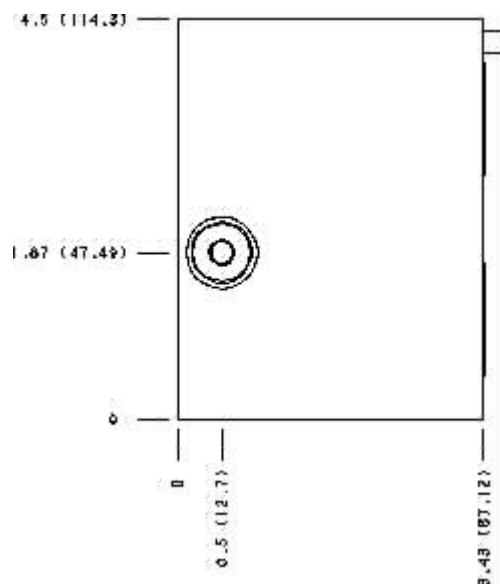
Cartridge extension measurement is to the centerline of the cartridge.

Functional Group:  
Products : Manifolds : Sandwich : Counterbalance : ISO 08 : On A, port 3 to B  
high capacity

Model:  
HBA

Face : 7

---



Cartridge extension measurement is to the centerline of the cartridge.

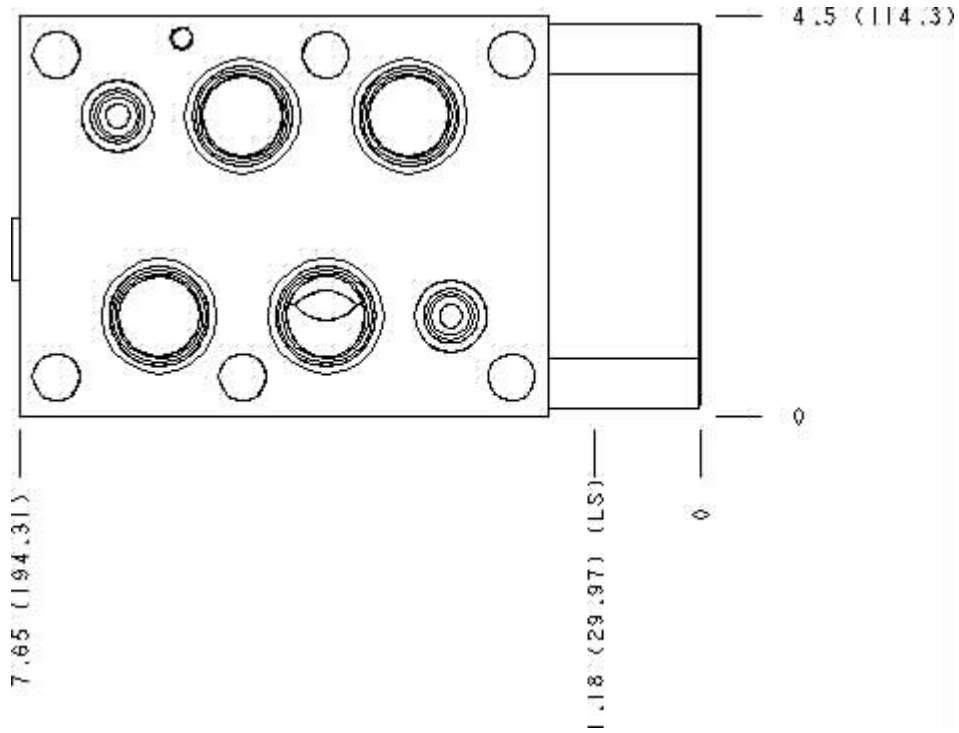
---

Functional Group:  
Products : Manifolds : Sandwich : Counterbalance : ISO 08 : On A, port 3 to B  
high capacity

Model:  
HBA

Face : 8

---



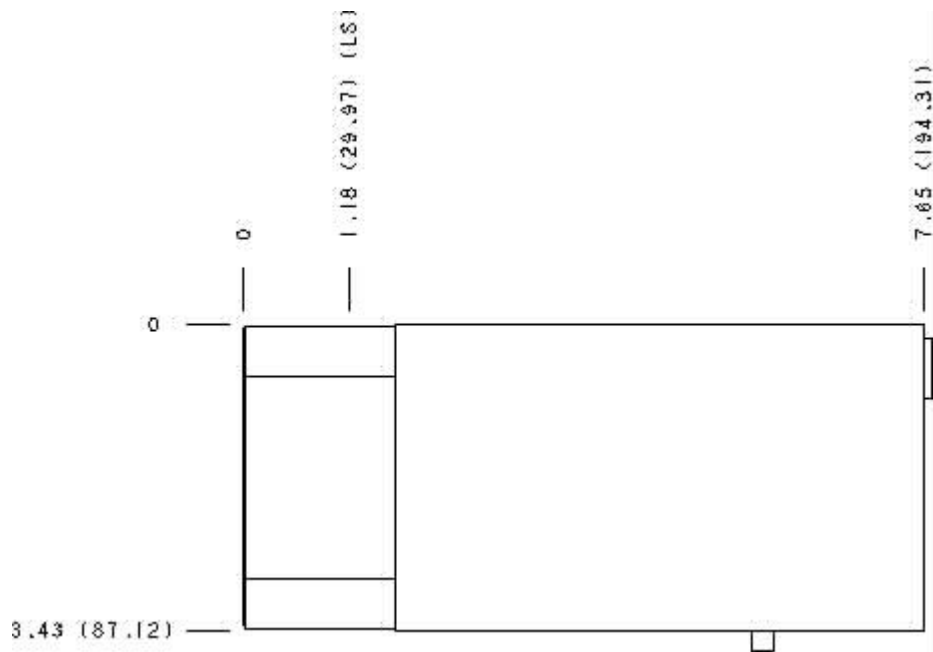
Cartridge extension measurement is to the centerline of the cartridge.



Functional Group:  
 Products : Manifolds : Sandwich : Counterbalance : ISO 08 : On A, port 3 to B  
 high capacity

Model:  
 HBA

Face : 10



Cartridge extension measurement is to the centerline of the cartridge.

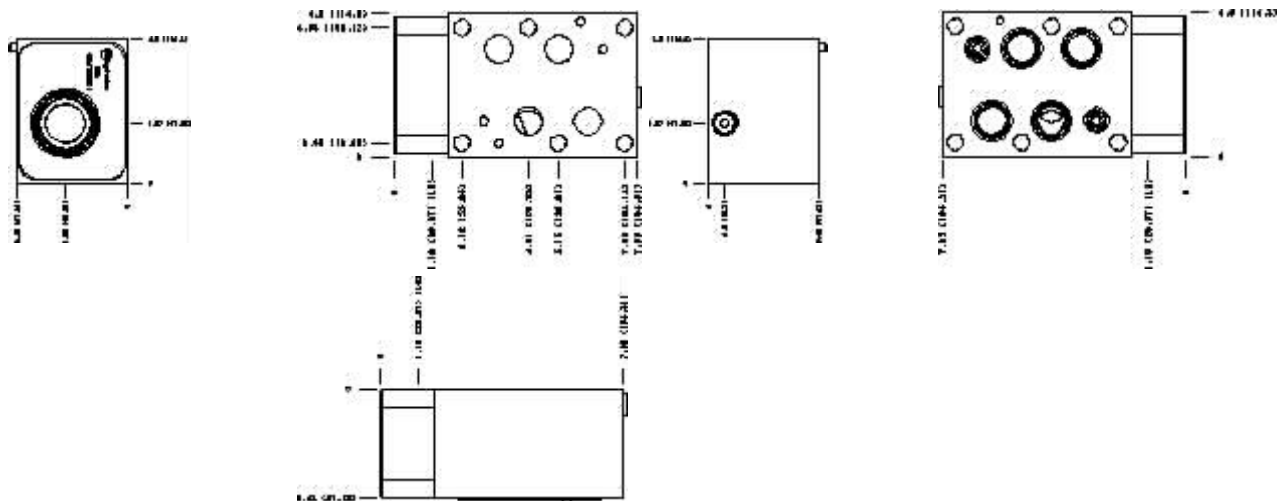
Functional Group:

Products : Manifolds : Sandwich : Counterbalance : ISO  
 08 : On A, port 3 to B high capacity

Model:  
 HBA

Projection Type 

All Dimensions in Inches(mm)



Copyright © 2007-2008 Sun Hydraulics Corporation.  
 All rights reserved.

[Terms and Conditions](#) - [Statement of Privacy](#)