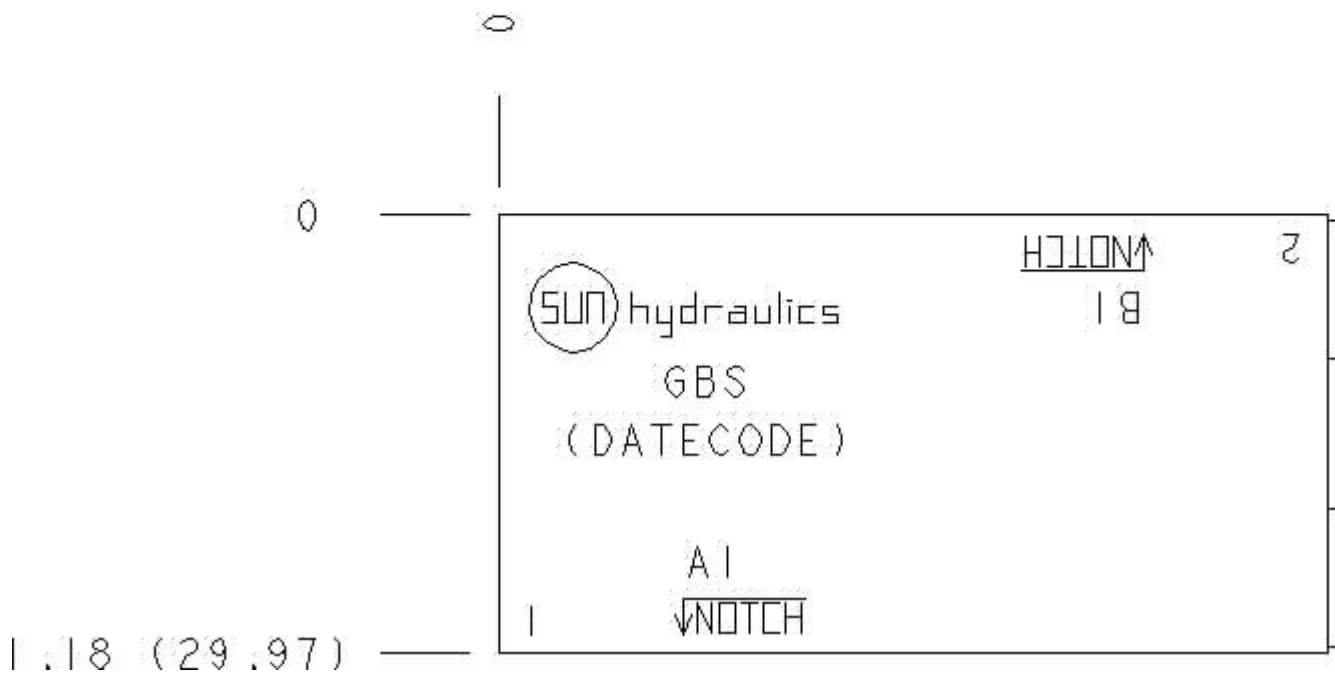


Functional Group:
 Products : Manifolds : Sandwich : Check : ISO 03 : A to B

Model:
 GBS

Face : 6



Cartridge extension measurement is to the centerline of the cartridge.

Aluminum Body Pressure Rating: **3000 psi (210 bar)**
 Ductile Iron Body Pressure Rating: **5000 psi (350 bar)**

Technical Data

	U.S. Units	Metric Units
Model Weight	0.42 lb.	0.19 kg.

Cavity	T-13A	
Body Features	A to B or B to A	
Body Type	Sandwich	
Interface	ISO 03	
Open Cavity Quantity	1	
Stack Height	1.24 in.	31,5 mm

Option Selection:

Model Code	Description
GBS	Aluminum, Buna-N, U.S. Units
GBS/S	Ductile Iron, Buna-N, U.S. Units
GBS/V	Aluminum, Viton, U.S. Units
GBS/Y	Ductile Iron, Viton, U.S. Units

Special Notes :

- | For check valve application, use only with CX*A check valves - free flow nose to side.

Related Information :

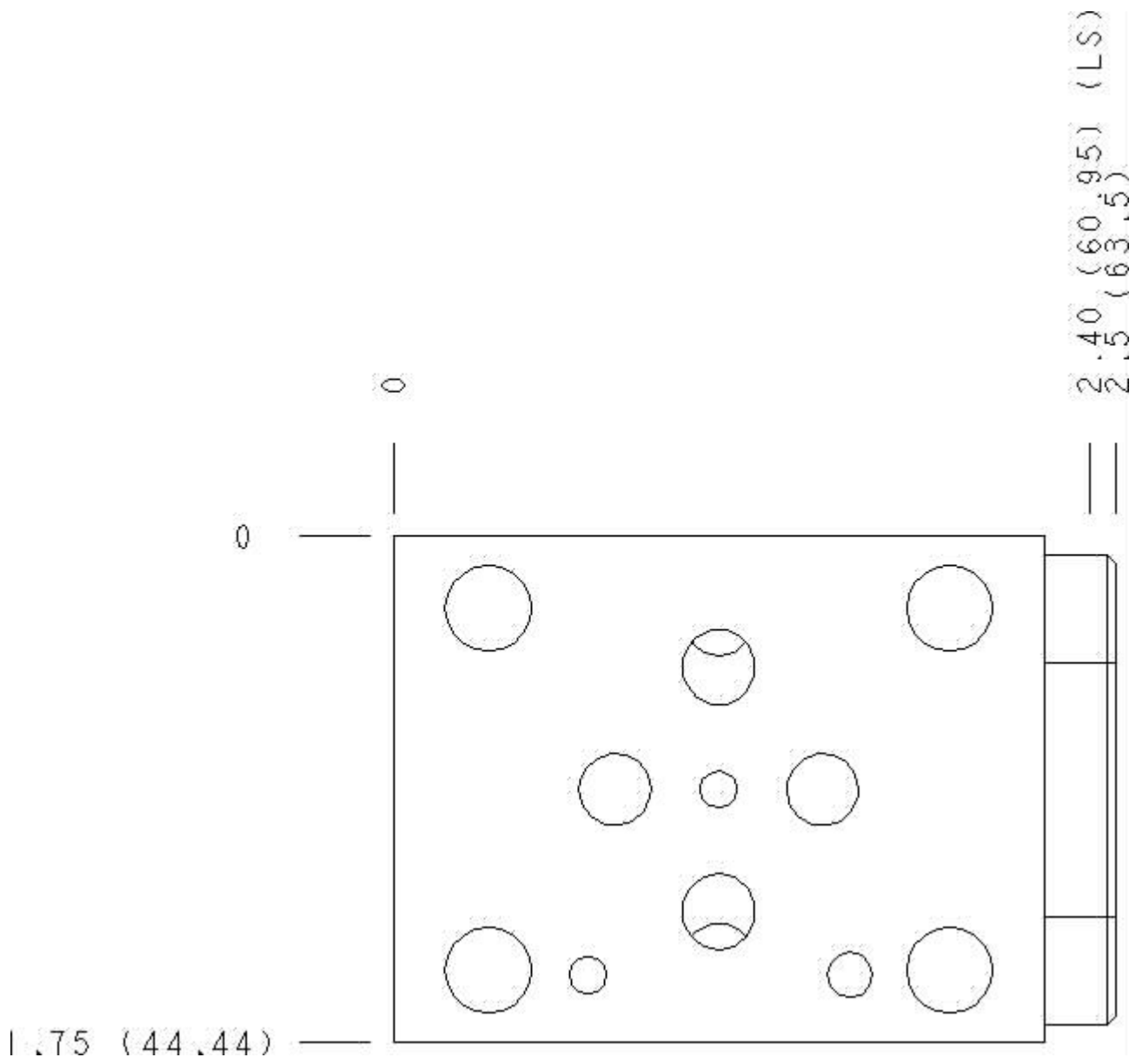
- | [Studnuts and Studrods for sandwich bodies - metric units.](#)
- | [How to install multi-functional sandwich bodies - US.](#)
- | [How to install multi-functional sandwich bodies - CETOP](#)
- | [Studnuts and Studrods for sandwich bodies - US units](#)



Functional Group:
Products : Manifolds : Sandwich : Check : ISO 03 : A to B

Model:
GBS

Face : 2



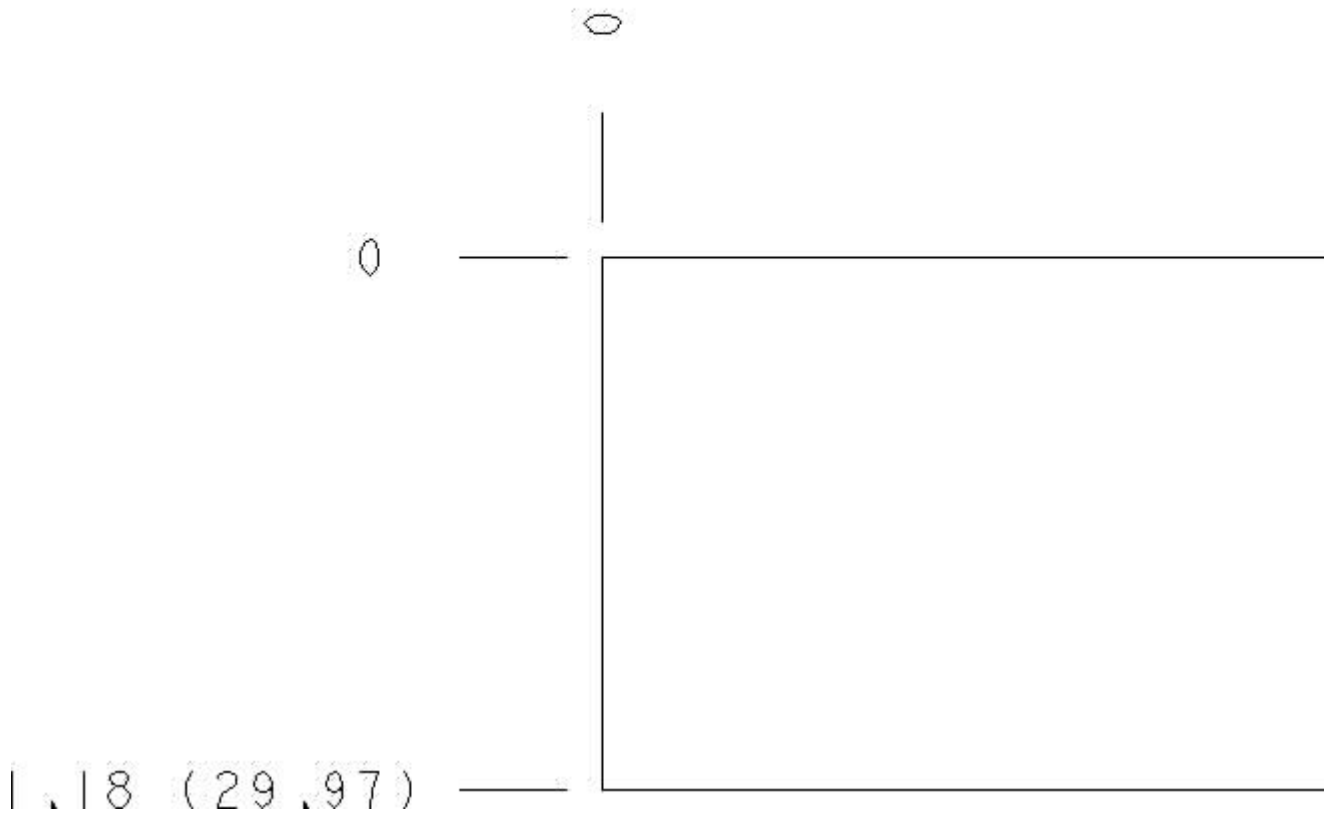
Cartridge extension measurement is to the centerline of the cartridge.



Functional Group:
 Products : Manifolds : Sandwich : Check : ISO 03 : A to B

Model:
 GBS

Face : 5



Cartridge extension measurement is to the centerline of the cartridge.



Functional Group:
Products : Manifolds : Sandwich : Check : ISO 03 : A to B

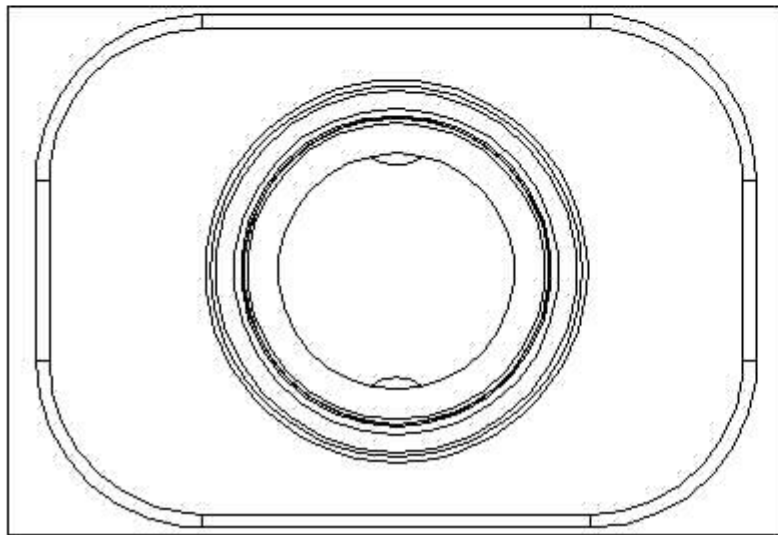
Model:
GBS

Face : 7

1.75 (44.44)

0.87 (22.09)

0



0

0.59 (14)

1.18 (29)

Cartridge extension measurement is to the centerline of the cartridge.

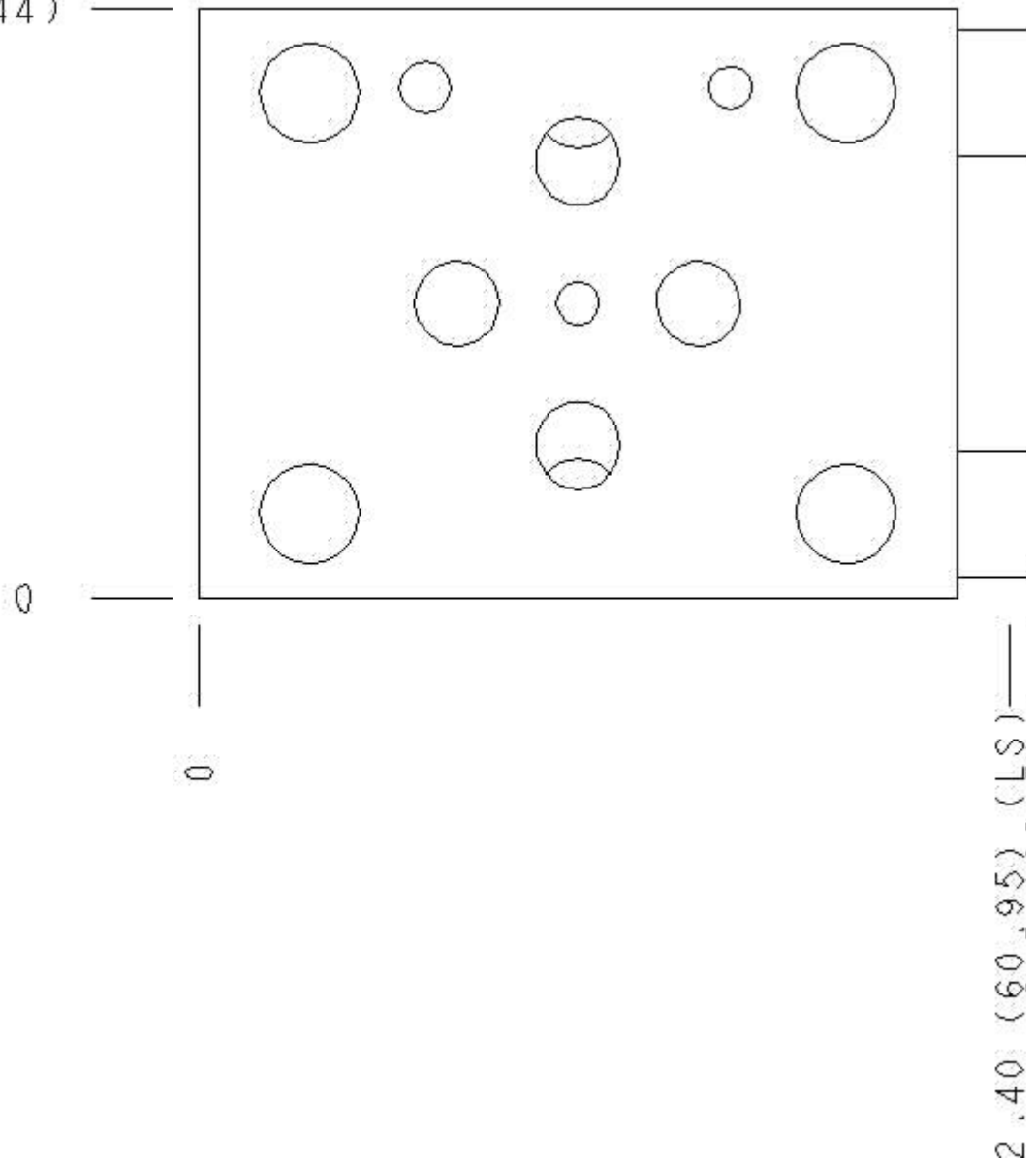


Functional Group:
Products : Manifolds : Sandwich : Check : ISO 03 : A to B

Model:
GBS

Face : 10

1.75 (44.44)



Cartridge extension measurement is to the centerline of the cartridge.



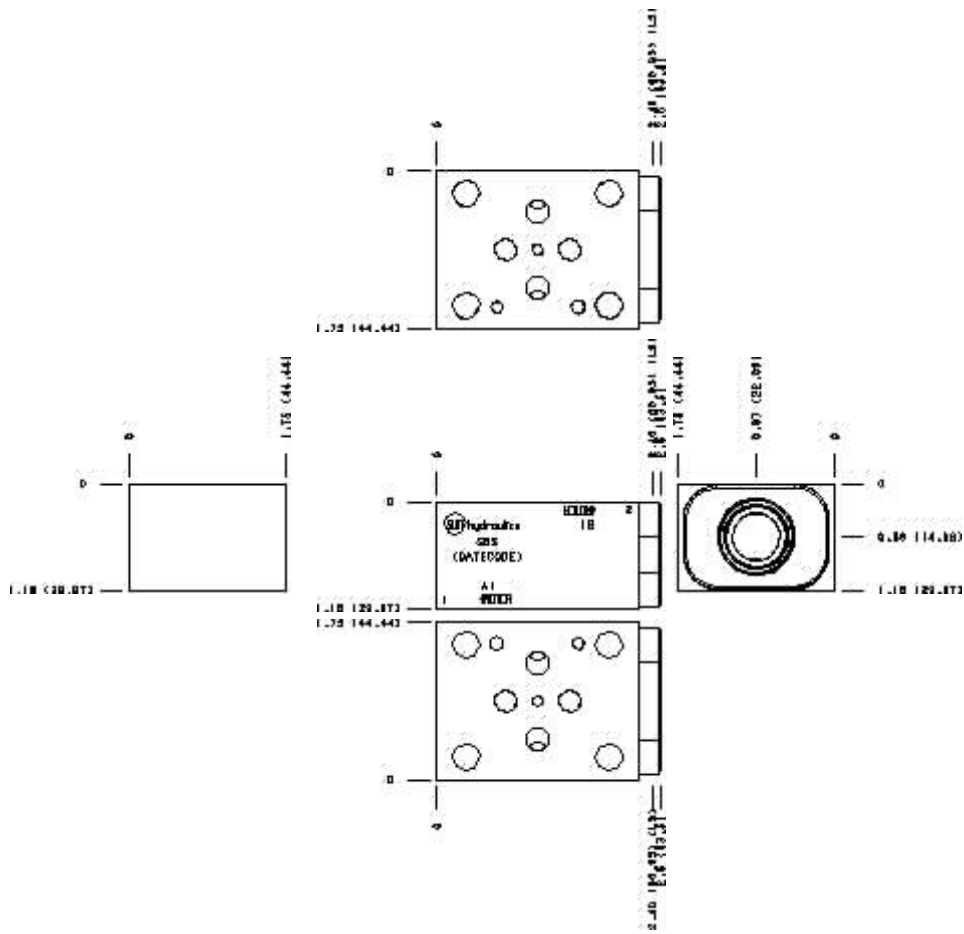
Functional Group:

Products : Manifolds : Sandwich : Check : ISO 03 : A to B

Model:
GBS

Projection Type

All Dimensions in Inches(mm)



Copyright © 2007-2008 Sun Hydraulics Corporation.
All rights reserved.

[Terms and Conditions](#) - [Statement of Privacy](#)