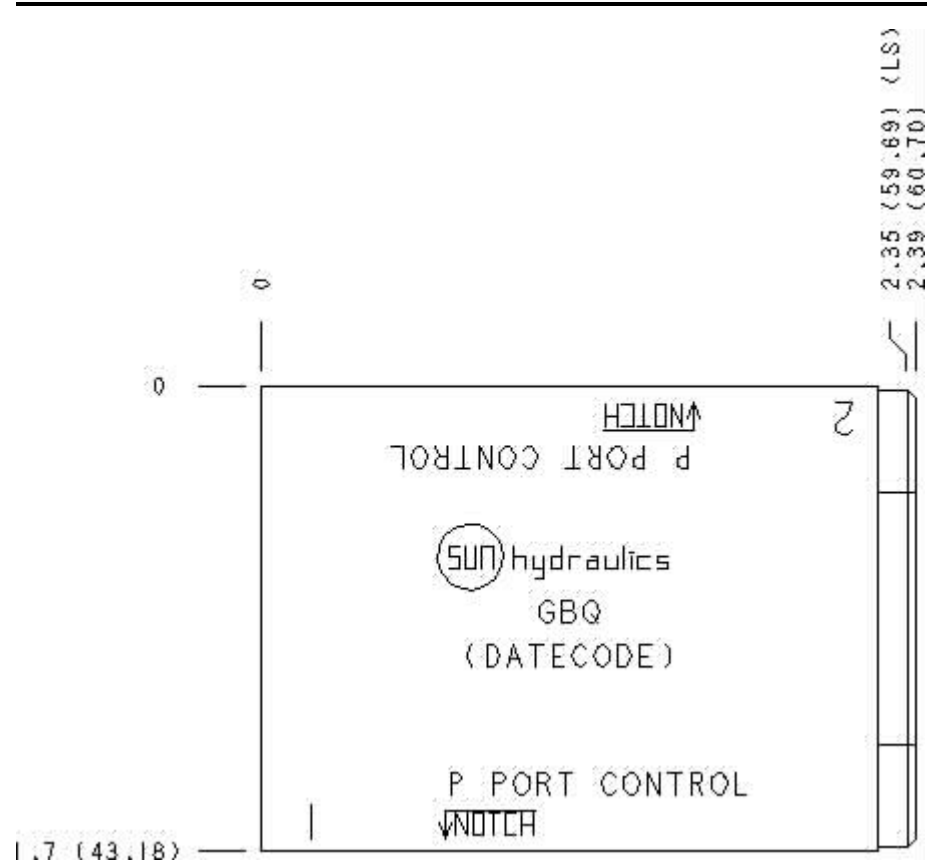
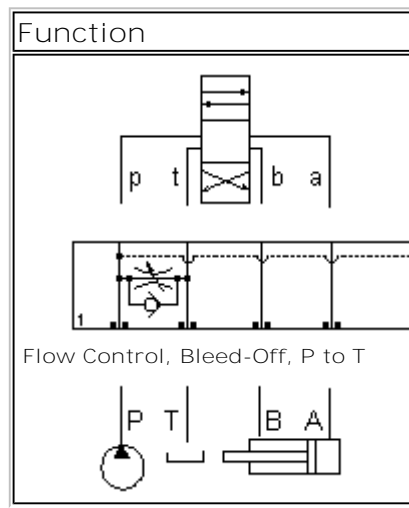


Functional Group:  
 Products : Manifolds : Sandwich : Flow Control : ISO 03 : P to T

Model:  
 GBQ

Face : 6



Cartridge extension measurement is to the centerline of the cartridge.

Aluminum Body Pressure Rating: **3000 psi (210 bar)**  
 Ductile Iron Body Pressure Rating: **5000 psi (350 bar)**

Port Headings and Sizes:

Gage Port (Plugged)  
 1/4" BSPP

Gage Port (Plugged)  
 1/4" NPTF

Technical Data

	U.S. Units	Metric Units
<b>Model Weight</b>	0.59 lb.	0.27 kg.
<b>Cavity</b>	T-13A	
<b>Body Features</b>	P to T	
<b>Body Type</b>	Sandwich	

Interface	ISO 03	
Open Cavity Quantity	1	
Stack Height	1.75 in.	44,5 mm

---

Option Selection:

Model Code	Description
GBQ	Aluminum, Buna-N, U.S. Units
GBQ/M	Aluminum, Buna-N, Metric
GBQ/S	Ductile Iron, Buna-N, U.S. Units
GBQ/T	Ductile Iron, Buna-N, Metric
GBQ/V	Aluminum, Viton, U.S. Units
GBQ/W	Ductile Iron, Viton, Metric
GBQ/Y	Ductile Iron, Viton, U.S. Units
GBQ/Z	Aluminum, Viton, Metric

---

Special Notes :

No Special Notes available for selected Model.

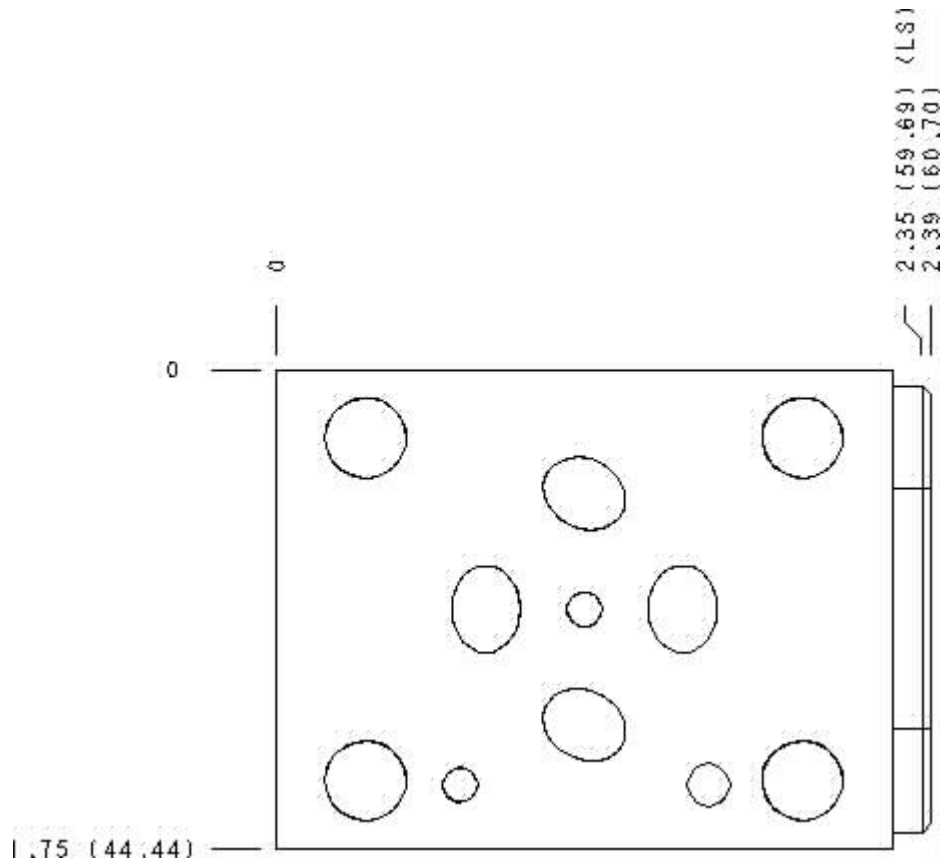


Functional Group:  
Products : Manifolds : Sandwich : Flow Control : ISO 03 : P to T

Model:  
GBQ

Face : 2

---



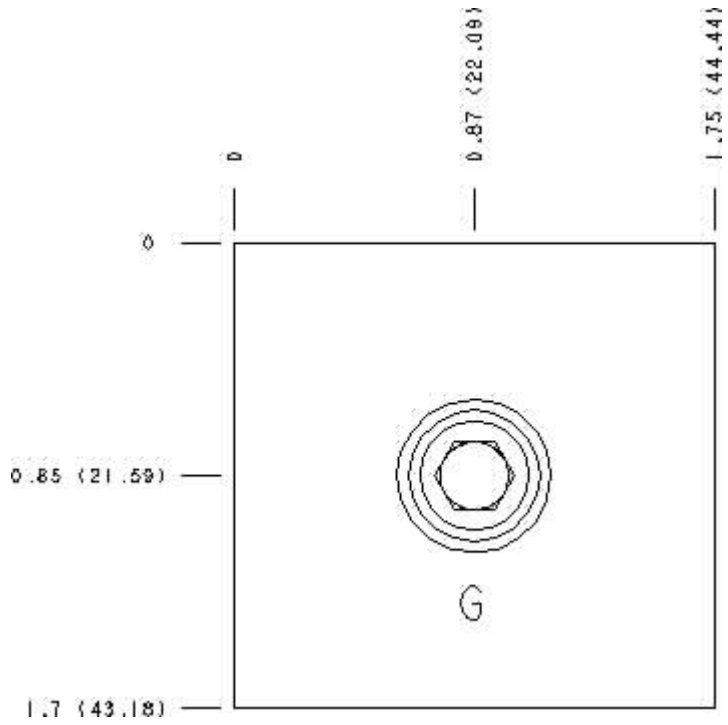
Cartridge extension measurement is to the centerline of the cartridge.



Functional Group:  
 Products : Manifolds : Sandwich : Flow Control : ISO 03 : P to T

Model:  
 GBQ

Face : 5



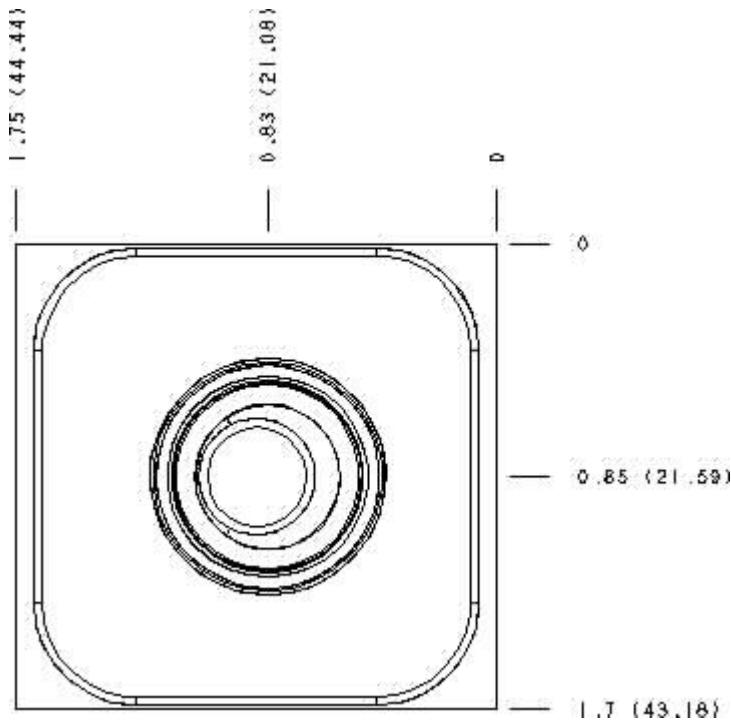
Cartridge extension measurement is to the centerline of the cartridge.



Functional Group:  
 Products : Manifolds : Sandwich : Flow Control : ISO 03 : P to T

Model:  
 GBQ

Face : 7

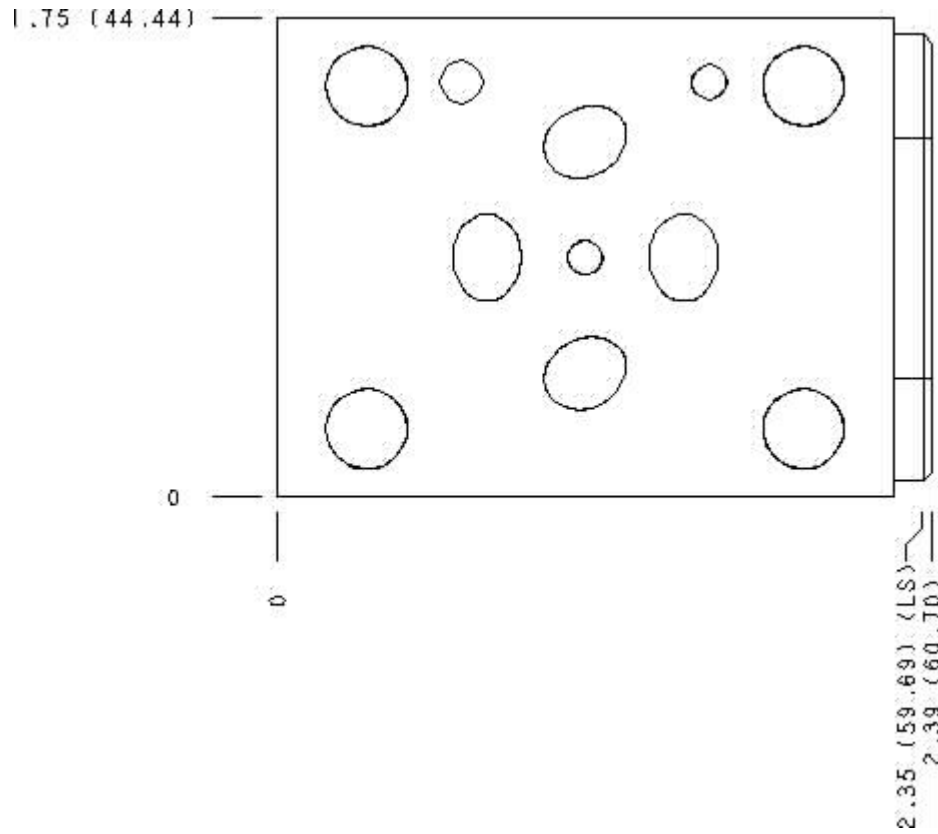


Cartridge extension measurement is to the centerline of the cartridge.

Functional Group:  
Products : Manifolds : Sandwich : Flow Control : ISO 03 : P to T

Model:  
GBQ

Face : 10



Cartridge extension measurement is to the centerline of the cartridge.

Functional Group:  
Products : Manifolds : Sandwich : Flow Control : ISO  
03 : P to T

Model:  
GBQ

Projection Type 

All Dimensions in Inches(mm)

