

**TECHNICAL DATA**

Body Type	Line mount
Interface	None
Body Features	Ninety degree
Mounting Hole Diameter	.34 in.
Mounting Hole Depth	Through
Mounting Hole Quantity	1
Open Cavities	1
Cavity	T-13A
Port Size	3/8" BSPP
Model Weight	0.32 lb.

**NOTES**

**Important:** Carefully consider the maximum system pressure. The pressure rating of the manifold is dependent on the manifold material, with the port type/size a secondary consideration. Manifolds constructed of aluminum are not rated for pressures higher than 3000 psi (210 bar), regardless of the port type/size specified.

**PORT DESIGNATORS**

Modifiers	Ports
GAU, /S	All Ports: 3/8" BSPP;

**CONFIGURATION OPTIONS**

Model Code Example: GAU

**MODIFIER**

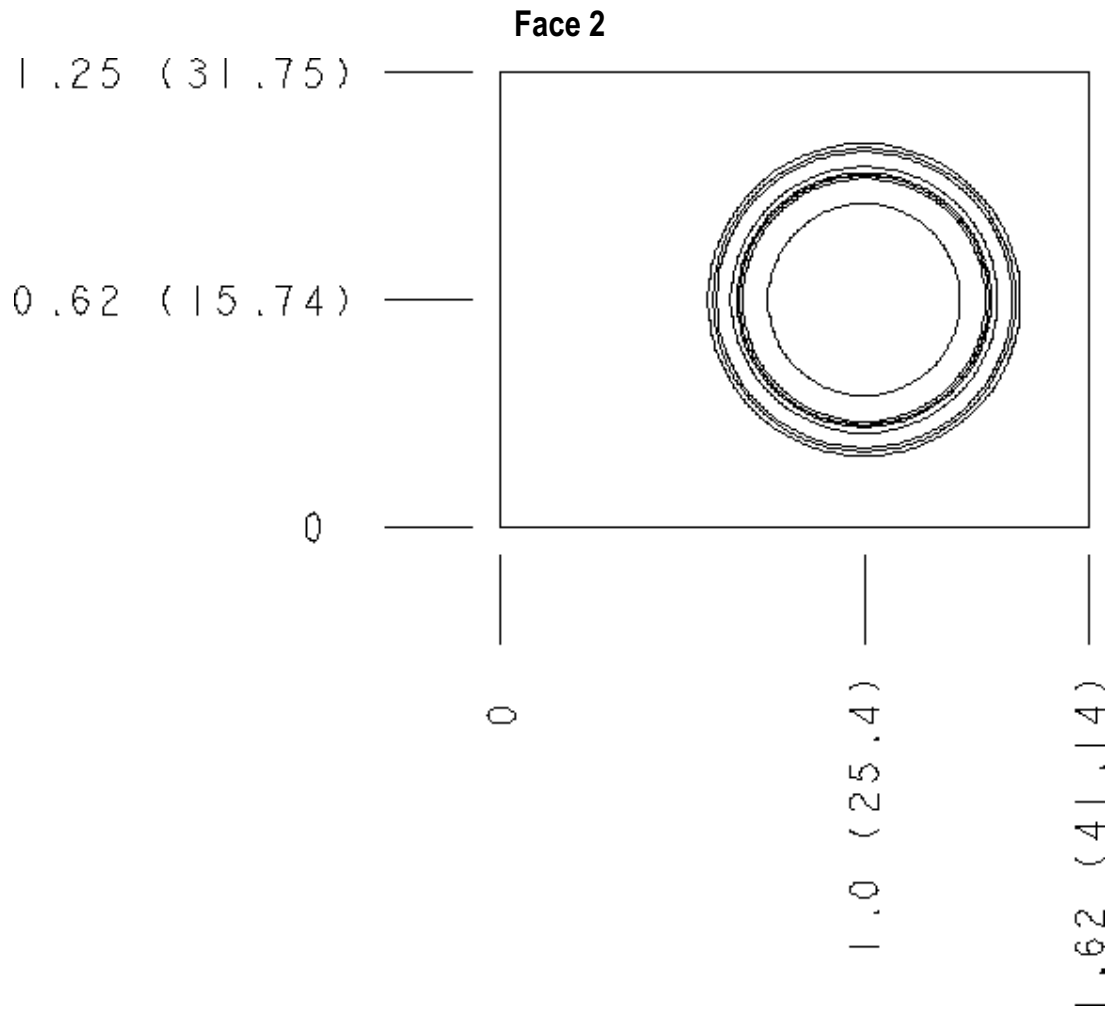
- 6061-T651 Aluminum, Buna-N
- /S 65-45-12 Ductile Iron, Buna-N, Blackened

**MANIFOLD FACES**

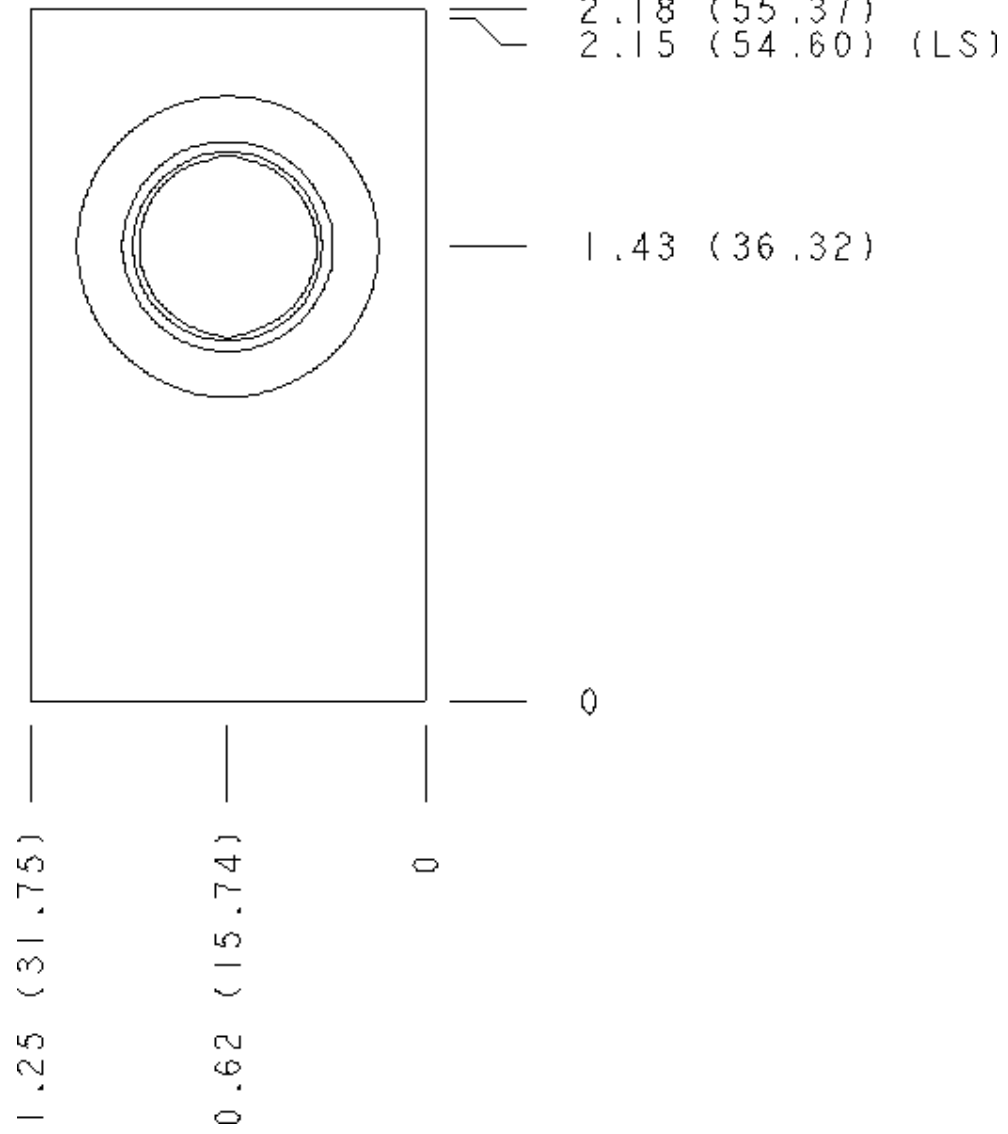
**FACE GRID**



5	6	7	8
9	10	11	12

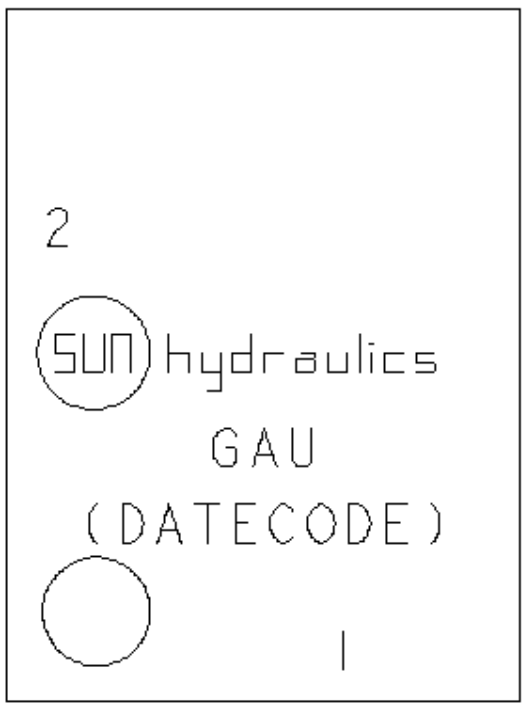


**Face 5**



Face 6

2.18 (55.37)  
2.15 (54.60) (LS)

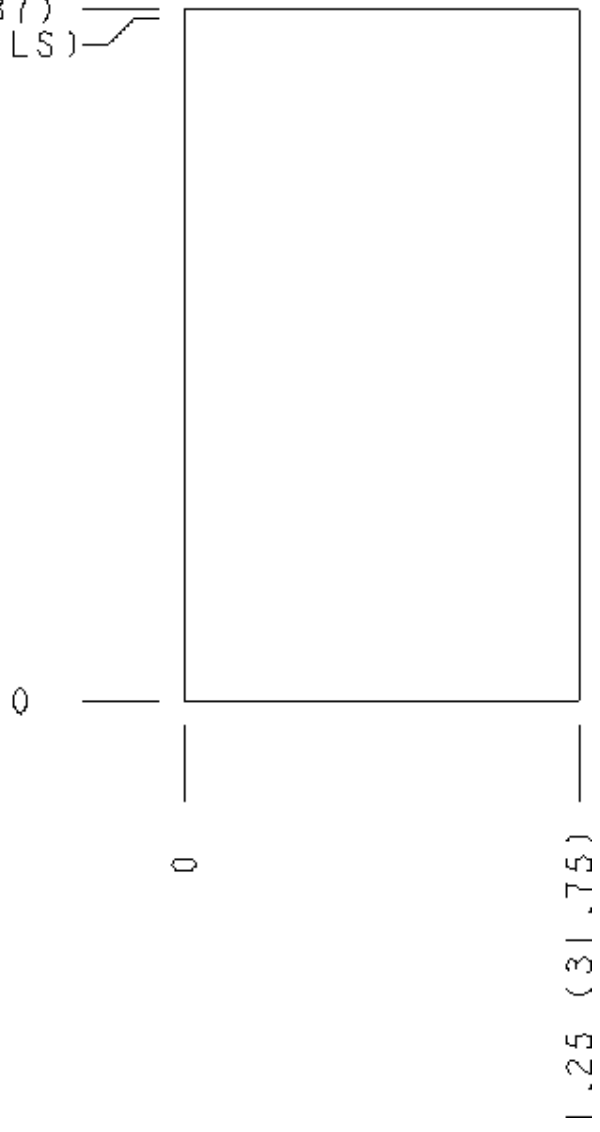


0.28 (7.11)  
0

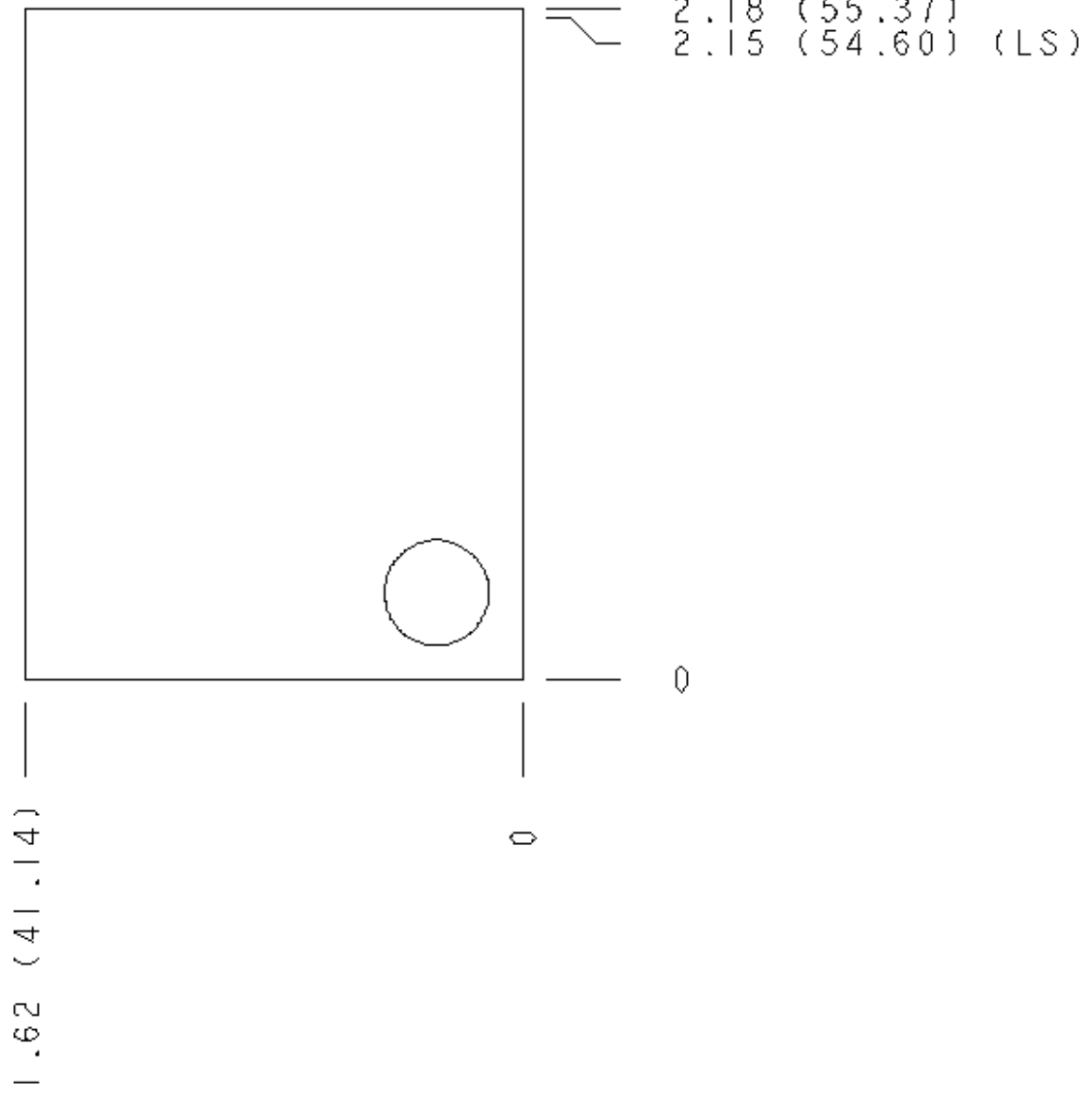
0  
0.28 (7.11)  
1.62 (41.14)

**Face 7**

2.18 (55.37)  
2.15 (54.60) (LS)



Face 8



Face 10

