

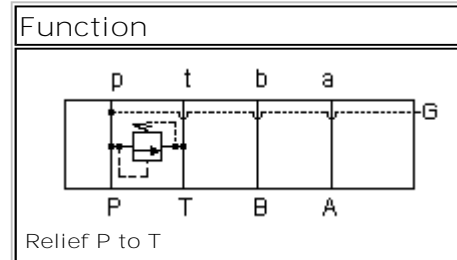
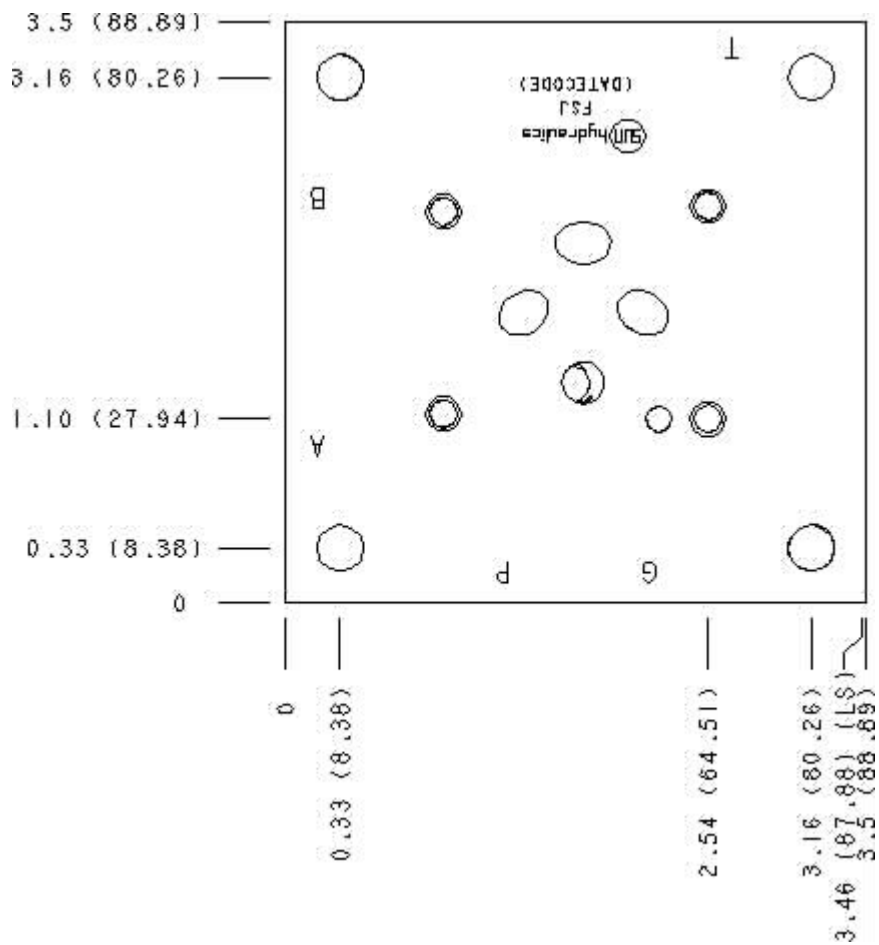
Functional Group:

Model:

Products : Manifolds : Subplate : Relief : ISO 03 : P to T, high capacity, side ports

FSJ

Face : 6



Cartridge extension measurement is to the centerline of the cartridge.

Aluminum Body Pressure Rating: **3000 psi (210 bar)**
 Ductile Iron Body Pressure Rating: **5000 psi (350 bar)**

Port Headings and Sizes:

Ports A, B, P, T
 SAE 8

Gage Port
 1/4" NPTF

Technical Data

	U.S. Units	Metric Units
Model Weight	2.05 lb.	0.93 kg.
Cavity	T-10A	

Body Features	P to T, side ports	
Body Type	Subplate	
Interface	ISO 03	
Open Cavity Quantity	1	
Mounting Hole Diameter	.28 in.	7,1 mm
Mounting Hole Depth	Through	
Mounting Hole Quantity	4	

Option Selection:

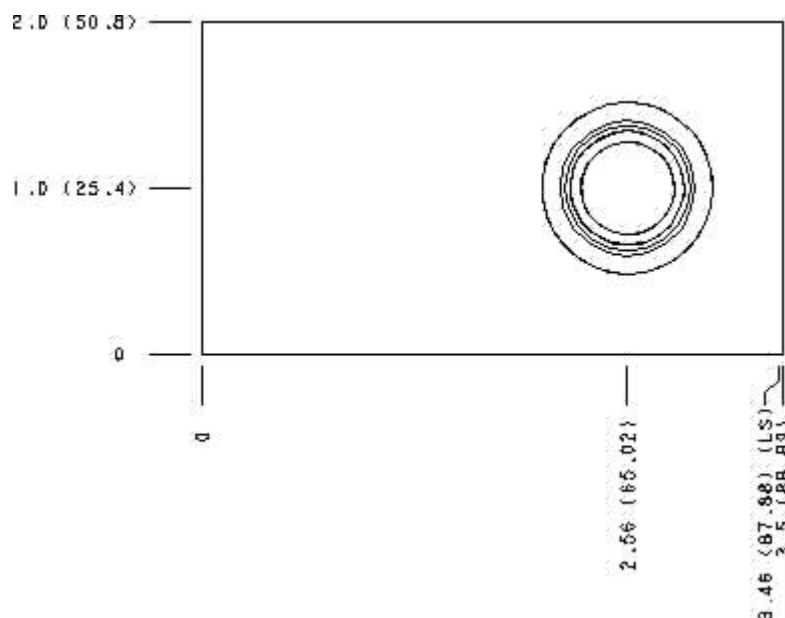
Model Code	Description
FSJ	Aluminum, Buna-N, U.S. Units
FSJ/S	Ductile Iron, Buna-N, U.S. Units



Functional Group:
 Products : Manifolds : Subplate : Relief : ISO 03 : P to T, high capacity, side
 ports

Model:
 FSJ

Face : 2

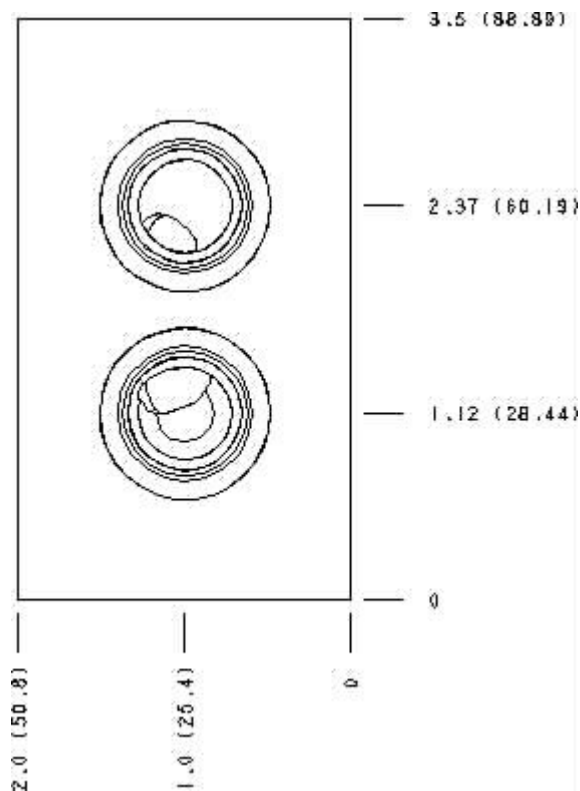


Cartridge extension measurement is to the centerline of the cartridge.

Functional Group:
Products : Manifolds : Subplate : Relief : ISO 03 : P to T, high capacity, side ports

Model:
FSJ

Face : 5

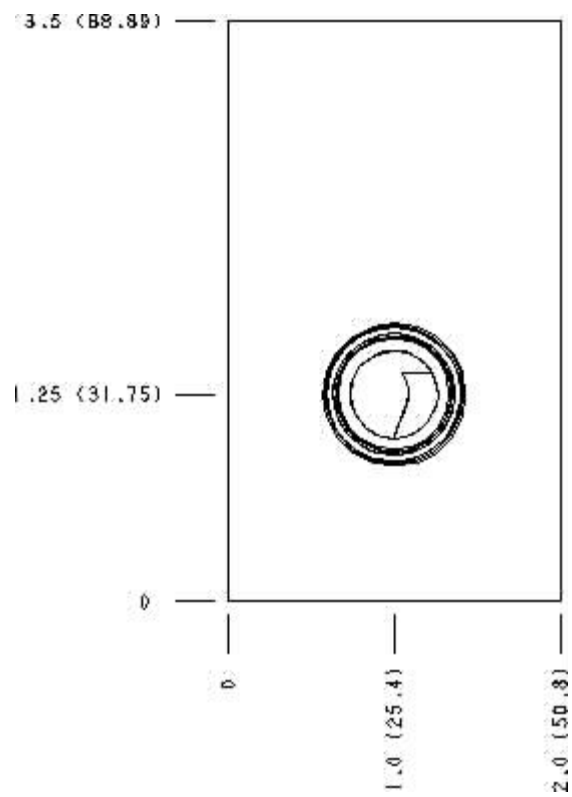


Cartridge extension measurement is to the centerline of the cartridge.

Functional Group:
Products : Manifolds : Subplate : Relief : ISO 03 : P to T, high capacity, side ports

Model:
FSJ

Face : 7



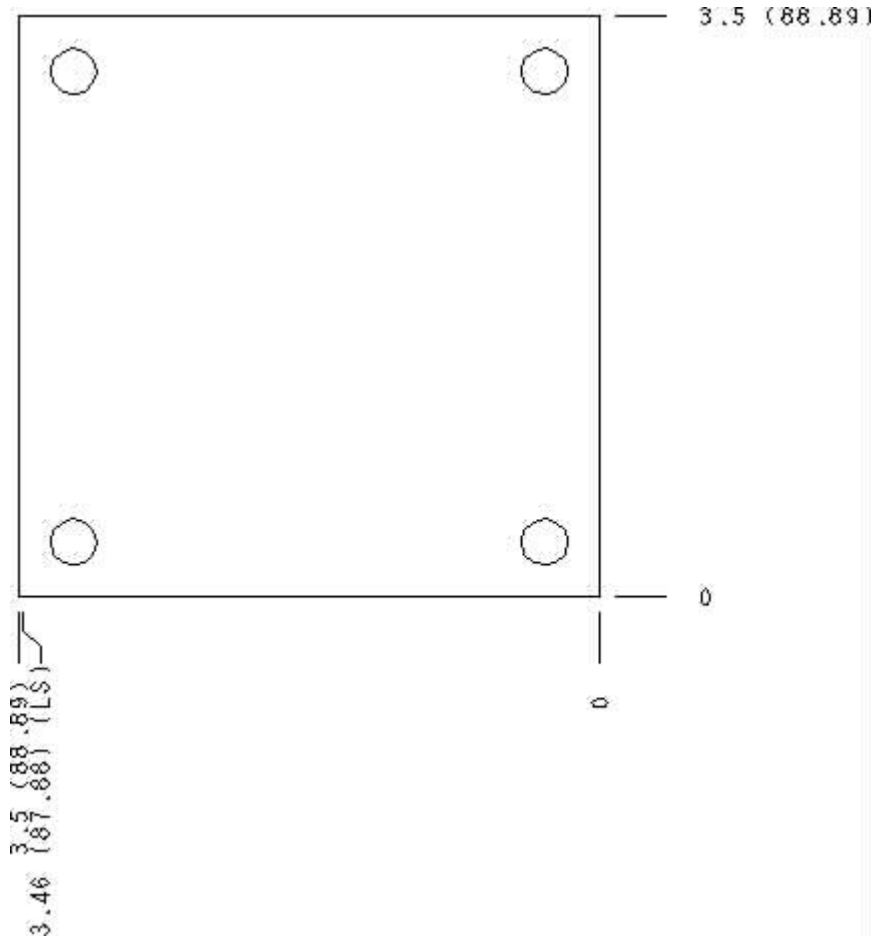
Cartridge extension measurement is to the centerline of the cartridge.



Functional Group:
 Products : Manifolds : Subplate : Relief : ISO 03 : P to T, high capacity, side ports

Model:
 FSJ

Face : 8



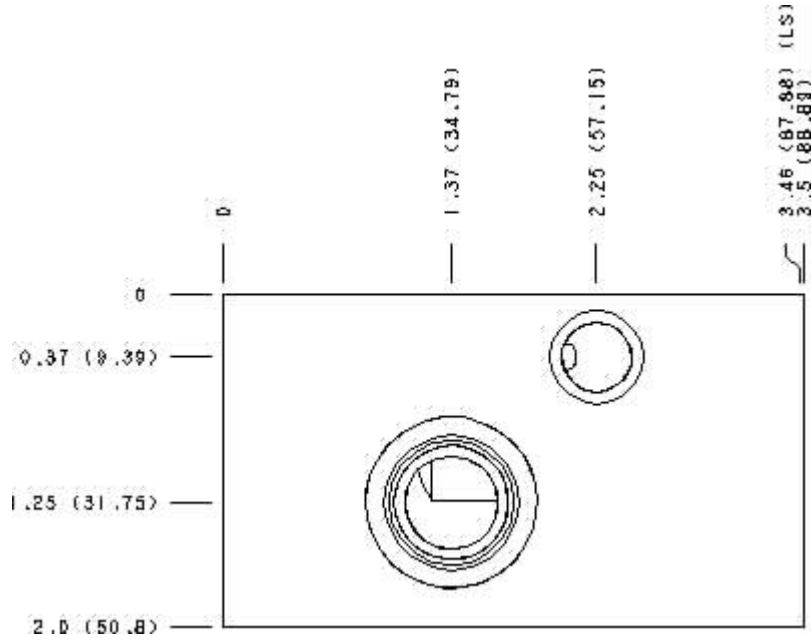
Cartridge extension measurement is to the centerline of the cartridge.



Functional Group:
 Products : Manifolds : Subplate : Relief : ISO 03 : P to T, high capacity, side ports

Model:
 FSJ

Face : 10



Cartridge extension measurement is to the centerline of the cartridge.



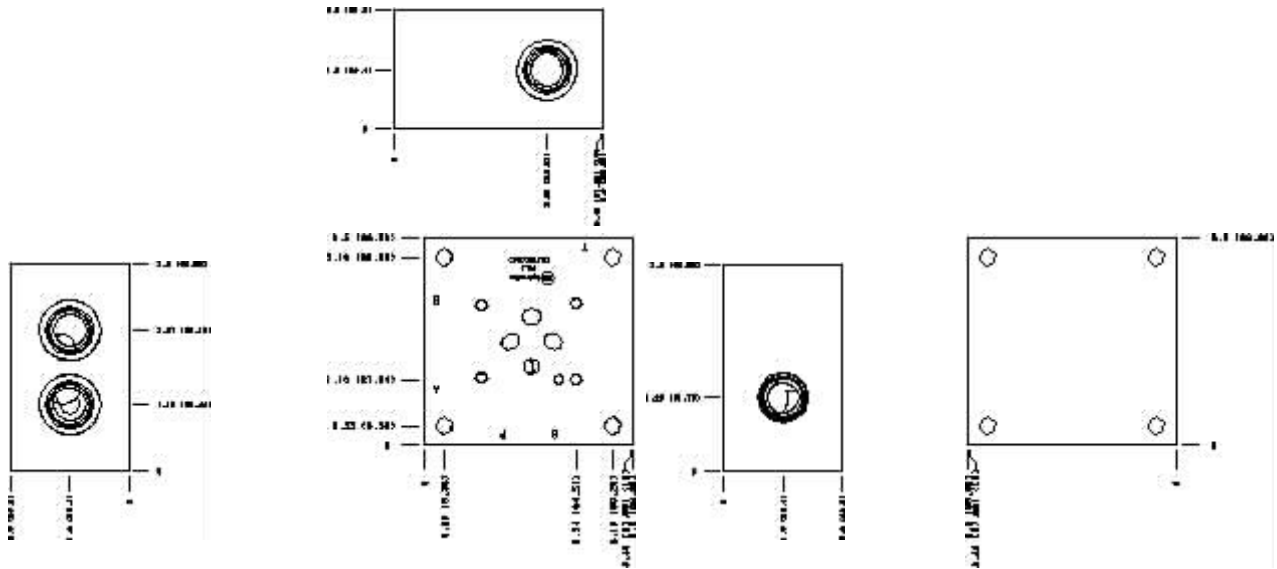
Functional Group:

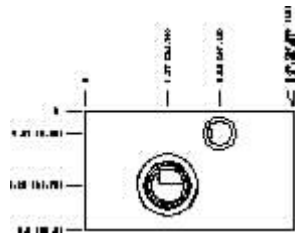
Products : Manifolds : Subplate : Relief : ISO 03 : P to T, high capacity, side ports

Model:
FSJ

Projection Type

All Dimensions in Inches(mm)





Copyright © 2007-2008 Sun Hydraulics Corporation.
All rights reserved.

[Terms and Conditions](#) - [Statement of Privacy](#)