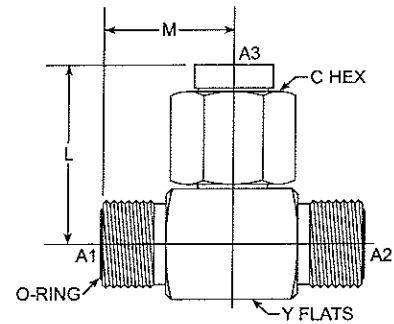


# MFS-MFS-FFSS Branch Tee FS6600 Series

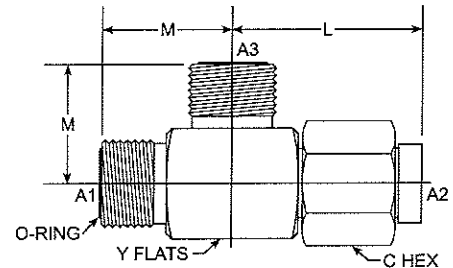
SAE# 520433



PART NO. SIZE	TUBE O.D.	A1 THREAD	A2 THREAD	A3 THREAD	L LGTH M.M.	M LGTH M.M.	C HEX	C HEX	Y M.M.	Y FLATS	Y FLATS M.M.	Standard Material From Stock						
												S	FG	SS	B			
FS6600-04-04-04	1/4	9/16-18	9/16-18	9/16-18	1.040	26.42	0.850	21.59	11/16	0.688	17.47	9/16	0.562	14.27	•	•		
FS6600-06-06-06	3/8	11/16-16	11/16-16	11/16-16	1.150	29.21	0.980	24.89	13/16	0.812	20.62	3/4	0.750	19.05	•	•		
FS6600-08-08-08	1/2	13/16-16	13/16-16	13/16-16	1.490	37.85	0.850	21.59	15/16	0.937	23.80	3/4	0.750	19.05	•	•		
FS6600-10-10-10	5/8	1-14	1-14	1-14	1.620	41.15	0.850	21.59	1 1/8	1.125	28.57	1 1/16	1.062	26.97	•	•		
FS6600-12-12-12	3/4	1 3/16-12	1 3/16-12	1 3/16-12	2.290	58.17	0.850	21.59	1 3/8	1.375	34.92	1 3/16	1.188	30.17	•	•		
FS6600-16-16-16	1	1 7/16-12	1 7/16-12	1 7/16-12	2.410	61.21	0.980	24.89	1 5/8	1.625	41.27	1 7/16	1.438	36.52	•	•		
FS6600-20-20-20	1 1/4	1 11/16-12	1 11/16-12	1 11/16-12	2.290	58.17	0.850	21.59	1 7/8	1.875	47.62	1 5/8	1.625	41.27	•	•		
FS6600-24-24-24	1 1/2	2-12	2-12	2-12	2.410	61.21	0.980	24.89	2 1/4	2.250	57.15	1 7/8	1.875	47.62	•	•		

# MFS-FFSS-MFS Tee FS6602 Series

SAE# 520432



PART NO. SIZE	TUBE O.D.	A1 THREAD	A2 THREAD	A3 THREAD	L LGTH M.M.	M LGTH M.M.	C HEX	C HEX	Y M.M.	Y FLATS	Y FLATS M.M.	Standard Material From Stock						
												S	FG	SS	B			
FS6602-04-04-04	1/4	9/16-18	9/16-18	9/16-18	1.040	26.42	0.850	21.59	11/16	0.688	17.47	9/16	0.562	14.27	•	•		
FS6602-06-06-06	3/8	11/16-16	11/16-16	11/16-16	1.150	29.21	0.980	24.89	13/16	0.812	20.62	3/4	0.750	19.05	•	•		
FS6602-08-08-08	1/2	13/16-16	13/16-16	13/16-16	1.490	37.85	1.100	27.94	15/16	0.937	23.80	3/4	0.750	19.05	•	•		
FS6602-10-10-10	5/8	1-14	1-14	1-14	1.620	41.15	1.310	33.27	1 1/4	1.250	31.75	1 1/16	1.062	26.97	•	•		
FS6602-12-12-12	3/4	1 3/16-12	1 3/16-12	1 3/16-12	1.820	46.23	1.470	37.34	1 3/8	1.375	34.92	1 3/16	1.188	30.17	•	•		
FS6602-16-16-16	1	1 7/16-12	1 7/16-12	1 7/16-12	2.100	53.34	1.640	41.66	1 5/8	1.625	41.27	1 7/16	1.438	36.52	•	•		
FS6602-20-20-20	1 1/4	1 11/16-12	1 11/16-12	1 11/16-12	2.290	58.17	1.760	44.70	1 7/8	1.875	47.62	1 5/8	1.625	41.27	•	•		
FS6602-24-24-24	1 1/2	2-12	2-12	2-12	2.410	61.21	1.920	48.77	2 1/4	2.250	57.15	1 7/8	1.875	47.62	•	•		