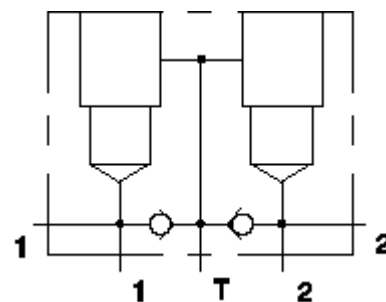


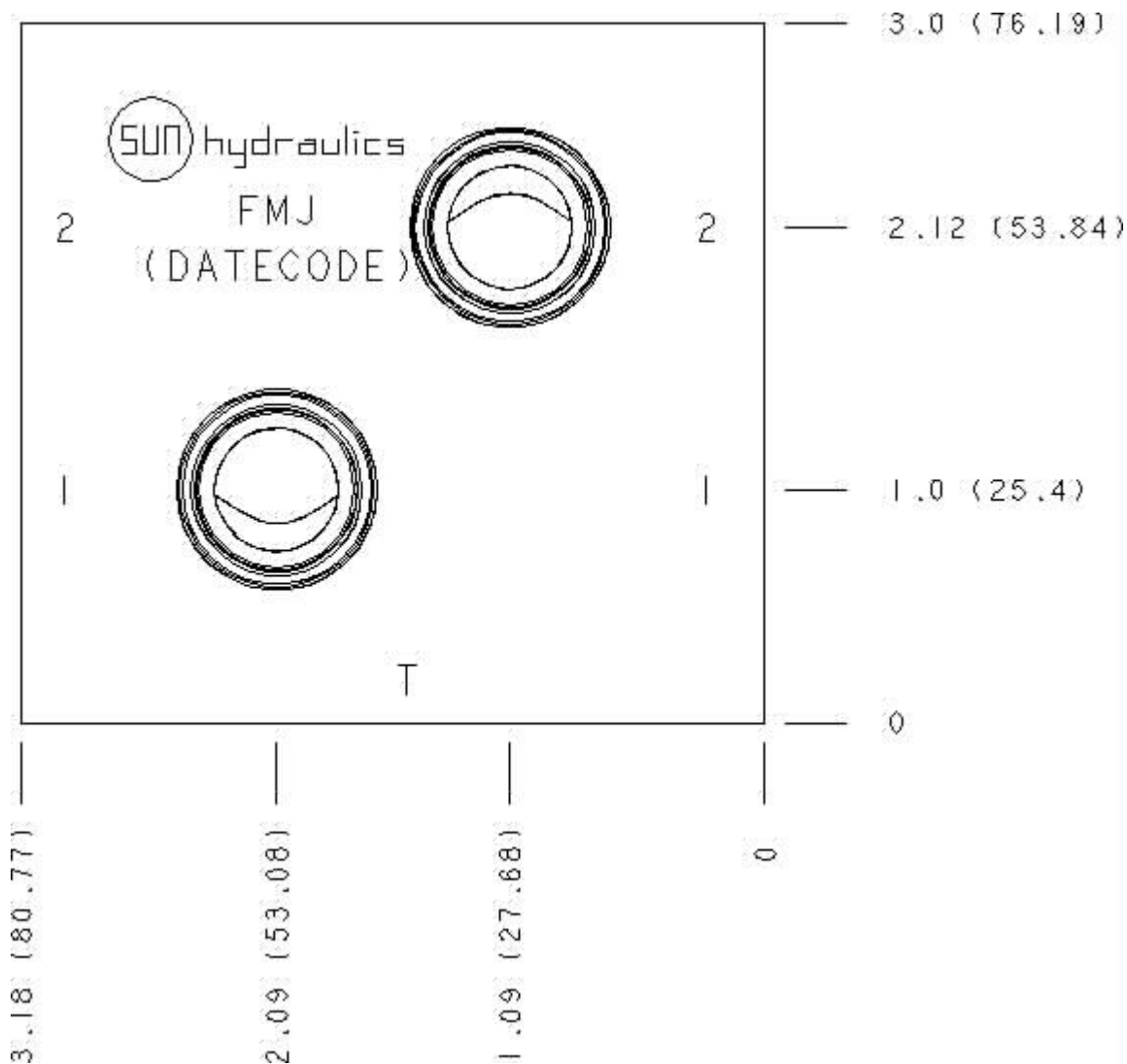
Functional Group:  
 Products : Manifolds : Line mount : Relief : 2 Port : Cross port with make up checks

Model:  
 FMJ

Aluminum Body Pressure Rating: 3000 psi (210 bar)  
 Ductile Iron Body Pressure Rating: 5000 psi (350 bar)



Face: 5



Cartridge extension measurement is to the centerline of the cartridge.

Technical Data

	U.S. Units	Metric Units
Model Weight	2.56 lb.	1.16 kg.
Cavity	T-10A	
Body Features	Cross port with make up checks	
Body Type	Line mount	
Interface	None	
Open Cavity Quantity	2	
Mounting Hole Diameter	.34 in.	8.6 mm
Mounting Hole Depth	Through	
Mounting Hole Quantity	2	

Option Selection

U.S. Dollar ▼

Model Code	Description
FMJ	Aluminum, Buna-N, U.S. Units
FMJ/V	Aluminum, Viton, U.S. Units
FMJ/S	Ductile Iron, Buna-N, U.S. Units
FMJ/Y	Ductile Iron, Viton, U.S. Units

Display Components

	Description	Quantity
CXDAXAN	Model	2

Special Notes

- No Special Notes Available for selected model.