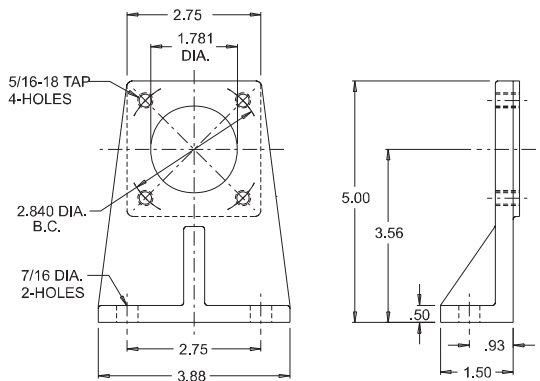




FOOT MOUNT BRACKETS

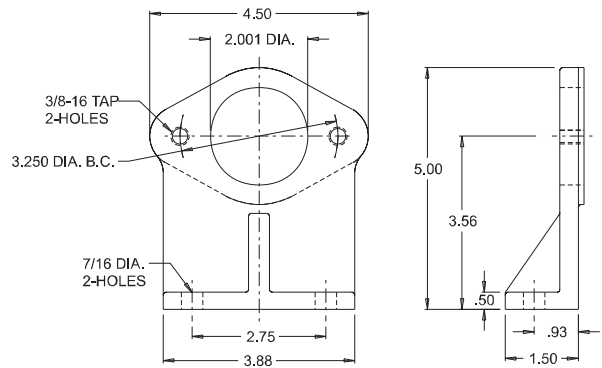


- For pumps and motors with USA/SAE mounting flanges
- Lightweight, high-strength aluminum casting
- Readily available from stock



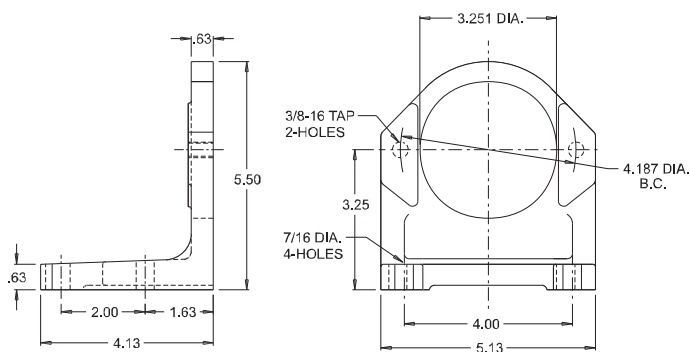
Vescor Part Number	Description
--------------------	-------------

FM100 USAF17 4-Bolt Foot Bracket



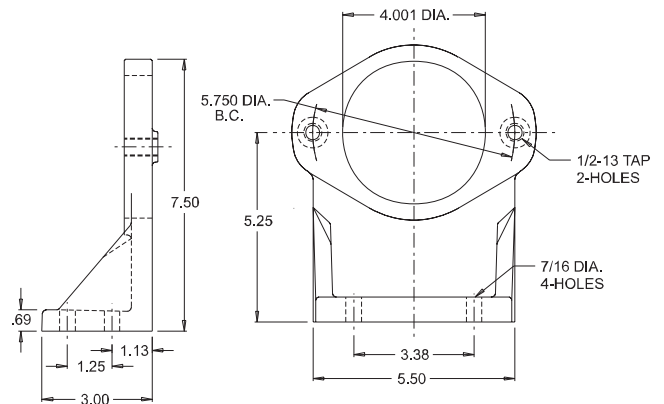
Vescor Part Number	Description
--------------------	-------------

FM150 SAE AA 2-Bolt Foot Bracket



Vescor Part Number	Description
--------------------	-------------

FM200 SAE A 2-Bolt Foot Bracket

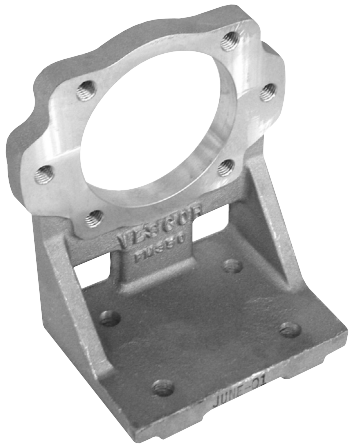


Vescor Part Number	Description
--------------------	-------------

FM300 SAE B 2-Bolt Foot Bracket

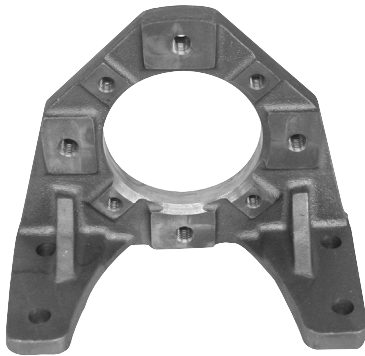
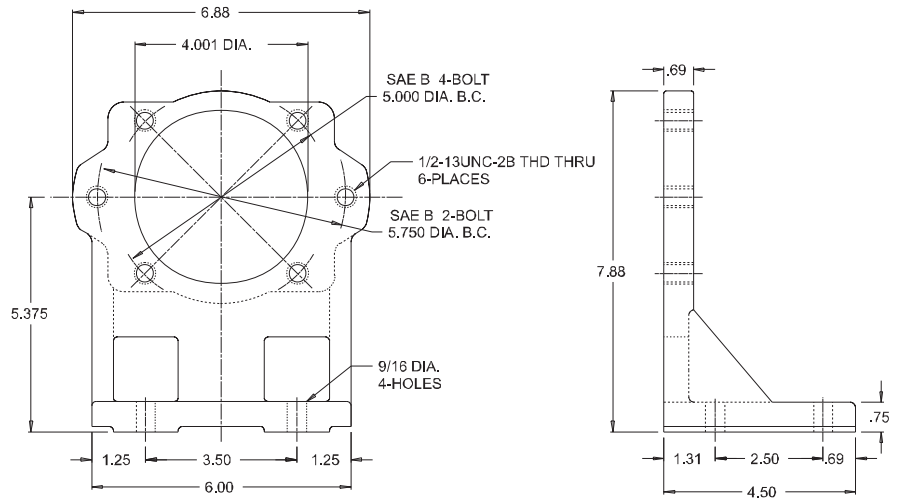


2/4 BOLT FOOT MOUNT BRACKETS



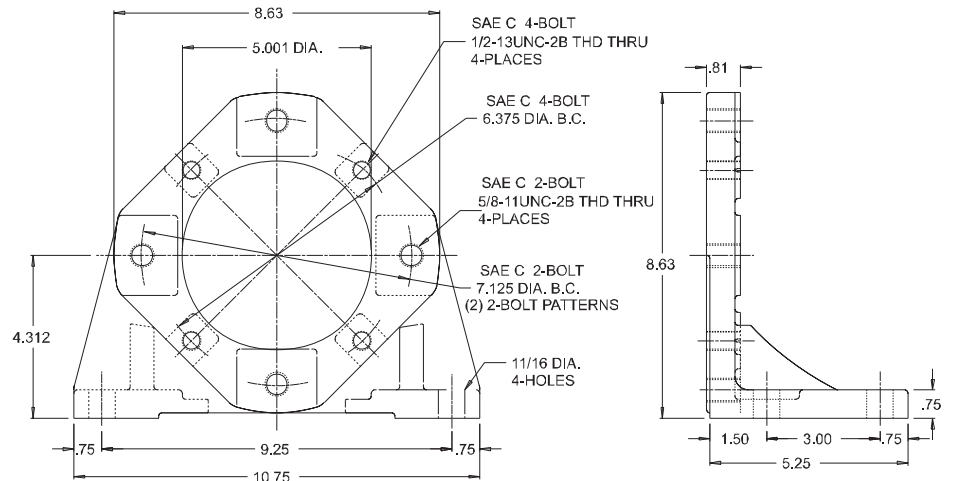
- For pumps and motors with SAE B (2) or (4) bolt mounting flanges
- Lightweight, high-strength aluminum casting
- Readily available from stock

Vescor Part Number	Description
FM350	SAE B 2/4-Bolt Foot Bracket



- For pumps and motors with SAE C (2) or (4) bolt mounting flanges
- Material Cast Iron
- Readily available from stock

Vescor Part Number	Description
FM400	SAE C 2/4-Bolt Foot Bracket



NOTE: WITH VESCORS' POLICY OF CONSTANTLY IMPROVING ITS PRODUCTS, SPECIFICATIONS ARE SUBJECT TO CHANGE WITHOUT NOTICE.