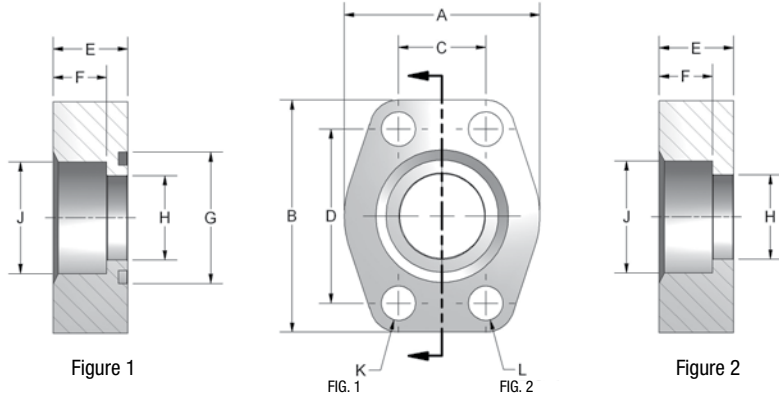


Flat Socket Weld Pipe



TEST POINT ADAPTERS

INLINE VALVES

BALL VALVES

QUICK COUPLINGS

WELD COUPLINGS

SUCTION AND RETURN

C/S FLANGES

S/S FLANGES

Mounting kit available on o-ring grooved flanges by simply adding suffix letter 'U' to part number.

CODE 61 FLAT SOCKET WELD - PIPE																
PART NO. O-RING FIG. 1	PART NO. FLAT FACE FIG. 2	PIPE SIZE	PAD SIZE	A	B	C	D	E	F	G	H	J	K	L	MOUNTING HARDWARE	
															O-RING	SHCS
W4-8-8	W61-8-8	.50	.50	1.813	2.125	.688	1.500	.750	.560	1.000	.502	.855	.344	5/16-18	210	5/16-18X1.50
W4-12-12	W61-12-12	.75	.75	2.063	2.563	.875	1.875	.750	.560	1.250	.752	1.062	.406	3/8-16	214	3/8-16X1.50
W4-16-16	W61-16-16	1.00	1.00	2.313	2.75	1.031	2.063	.880	.630	1.560	1.002	1.328	.406	3/8-16	219	3/8-16X1.75
W4-20-20	W61-20-20	1.25	1.25	2.875	3.125	1.188	2.313	.940	.690	1.750	1.252	1.672	.469	7/16-14	222	7/16-14X1.75
W4-24-24	W61-24-24	1.50	1.50	3.25	3.688	1.406	2.75	1.190	.750	2.115	1.502	1.922	.531	1/2-13	225	1/2-13X2.25
W4-32-32	W61-32-32	2.00	2.00	3.813	4.00	1.688	3.063	1.380	.875	2.490	2.002	2.406	.531	1/2-13	228	1/2-13X2.50
W4-40-40	W61-40-40	2.50	2.50	4.281	4.50	2.000	3.500	1.750	1.00	2.995	2.502	2.906	.531	1/2-13	232	1/2-13X2.75
W4-48-48	W61-48-48	3.00	3.00	5.156	5.313	2.438	4.188	2.120	1.250	3.615	3.002	3.547	.656	5/8-11	237	5/8-11X3.50

CODE 62 FLAT SOCKET WELD - PIPE																
PART NO. O-RING FIG. 1	PART NO. FLAT FACE FIG. 2	PIPE SIZE	PAD SIZE	A	B	C	D	E	F	G	H	J	K	L	MOUNTING HARDWARE	
															O-RING	SHCS
W59-8-8	W60-8-8	.50	.50	1.94	2.30	.718	1.594	1.25	.560	1.000	.502	.855	.344	5/16-18	210	5/16-18X2.00
W59-12-12	W60-12-12	.75	.75	2.50	2.95	.937	2.000	1.250	.560	1.250	.752	1.062	.406	3/8-16	214	3/8-16X2.00
W59-16-16	W60-16-16	1.00	1.00	2.75	3.19	1.093	2.250	1.500	.630	1.560	1.002	1.328	.492	7/16-14	219	7/16-14X2.50
W59-20-20	W60-20-20	1.25	1.25	3.06	3.75	1.250	2.625	1.500	.690	1.750	1.252	1.672	.531	1/2-13	222	1/2-13X2.50
W59-24-24	W60-24-24	1.50	1.50	3.75	4.44	1.437	3.125	1.750	.750	2.115	1.502	1.922	.656	5/8-11	225	5/8-11X3.00
W59-32-32	W60-32-32	2.00	2.00	4.50	5.25	1.750	3.812	1.750	.875	2.490	2.002	2.406	.781	3/4-10	228	3/4-10X3.00
W59-40-40	W60-40-40	2.50	2.50	5.87	6.87	2.311	4.874	2.060	1.000	2.995	2.502	2.906	.906	7/8-9	232	**7/8-9X3.50
W59-48-48	W60-48-48	3.00	3.00	7.00	8.50	2.811	6.000	2.620	1.250	3.615	3.002	3.547	1.190	1-1/8-7	237	**1 1/8-7X4.50

**HHCS

CODE 61 FLAT SOCKET WELD - PIPE - ALL SIZES 500 PSI																
PART NO. O-RING FIG. 1	PART NO. FLAT FACE FIG. 2	PIPE SIZE	PAD SIZE	A	B	C	D	E	F	G	H	J	K	L UNC-2B	MOUNTING HARDWARE	
															O-RING	SHCS
W72-48-48	W91-48-48	3.00	3.00	5.12	5.31	2.438	4.188	1.380	1.120	3.615	3.002	3.547	.656	5/8-11	237	5/8-11X2.50
W72-56-56	W91-56-56	3.50	3.50	5.50	6.00	2.750	4.750	1.440	1.190	4.095	3.502	4.047	.656	5/8-11	241	5/8-11X2.75
W72-64-64	W91-64-64	4.00	4.00	6.00	6.38	3.062	5.125	1.500	1.250	4.595	4.002	4.578	.656	5/8-11	245	5/8-11X2.75
W72-80-80	W91-80-80	5.00	5.00	7.12	7.25	3.625	6.000	1.750	1.380	5.595	5.002	5.641	.656	5/8-11	253	5/8-11X3.00