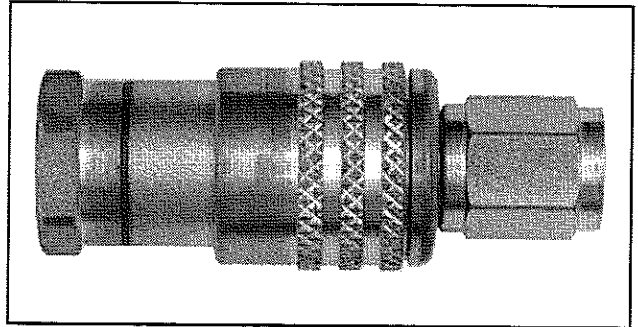
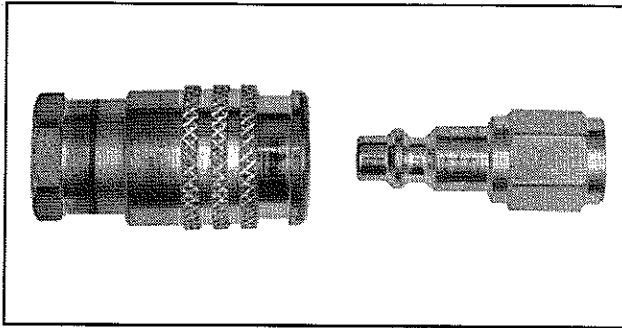




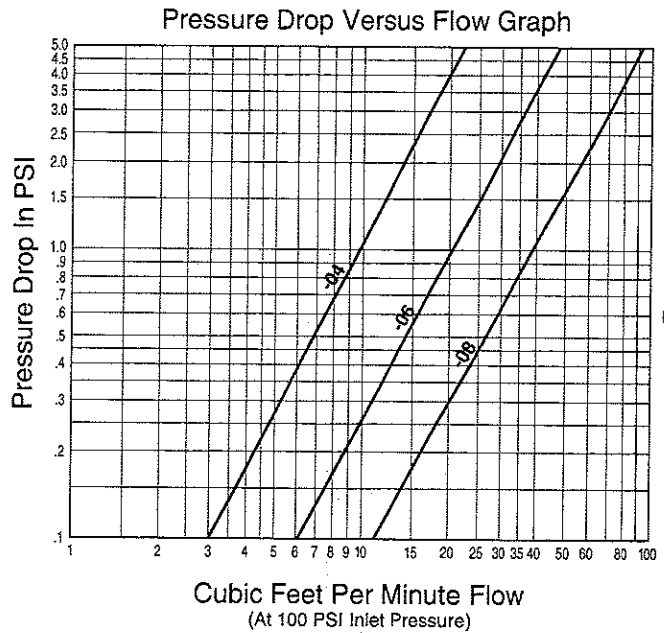
FD40 Series/MIL-C-4109 Industrial Interchange - Air



The FD40 Series offers a one-hand push-to-connect latch ideal for compressed air service. The female half features self-sealing poppet valves, preventing air loss while disconnected. Male half uses straight through design.

- Automatic sleeve for one-hand push-to-connect operation.
- Protective collar to prevent accidental snagging and disconnection.
- Meet dimensional requirements of MIL-C-4109 for industrial interchangeability.
- Swivels 360°, eliminating hose kinking.
- Ball latching mechanism.
- Standard seal material - Buna-N.
- Standard body material - Zinc plated steel.

Flow Data

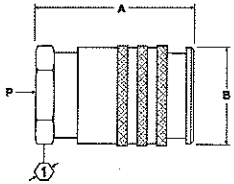
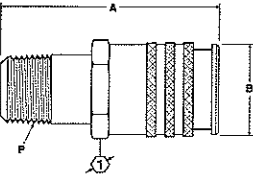
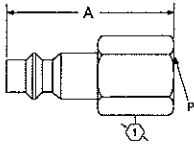
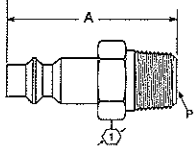


Physical Characteristics

Coupling Size	Maximum Operating Pressure (psi)	Minimum Burst Pressure (psi)		Vacuum (in./Hg.) Connected Only
		Female Half Only	Connected	
-04	300	3000	8000	28
-06	300	3000	8000	28
-08	300	2000	8000	28

This page is part of a complete catalog which contains technical and safety data that must be reviewed when selecting a product.



FD40 Series	Coupling Size	Thread Size(P)	Dimensional Data			Part Number Buna-N	Line Ref.
			A	B	ϕ		
Female Half Female Pipe/Valved 	-04	1/4-18	1.88	1.00	.81	FD40-1000-04-04	2
	-04	3/8-18	2.56	1.00	.94	FD40-1000-06-04	3
	-06	1/4-18	2.63	1.16	.94	FD40-1000-04-06	4
	-06	3/8-18	2.13	1.16	.94	FD40-1000-06-06	5
	-08	1/2-14	2.38	1.28	1.06	FD40-1000-08-08	6
							7
Female Half Male Pipe/Valved 	-04	1/4-18	2.63	1.00	.81	FD40-1001-04-04	9
	-04	3/8-18	2.63	1.00	.81	FD40-1001-06-04	10
	-06	3/8-18	2.88	1.16	.94	FD40-1001-06-06	11
	-08	1/2-14	3.50	1.28	.88	FD40-1001-08-08	12
							13
							14
Male Half Female Pipe/Non-Valved 	-04	1/8-27	1.21		.56	FD40-1013-02-04	17
	-04	1/4-18	1.62		.62	FD40-1013-04-04	18
	-04	3/8-18	1.80		.88	FD40-1013-06-04	19
	-06	3/8-18	1.90		.88	FD40-1013-06-06	20
	-08	1/2-14	2.40		1.12	FD40-1013-08-08	21
							22
Male Half Male Pipe/Non-Valved 	-04	1/8-27	1.50		.50	FD40-1014-02-04	25
	-04	1/4-18	1.75		.56	FD40-1014-04-04	26
	-04	3/8-18	1.75		.69	FD40-1014-06-04	27
	-06	1/4-18	1.88		.62	FD40-1014-04-06	28
	-06	3/8-18	1.88		.69	FD40-1014-06-06	29
	-06	1/2-14	2.13		.88	FD40-1014-08-06	30
	-08	3/8-18	2.18		.69	FD40-1014-06-08	31
	-08	1/2-14	2.44		.88	FD40-1014-08-08	32

This page is part of a complete catalog which contains technical and safety data that must be reviewed when selecting a product.