

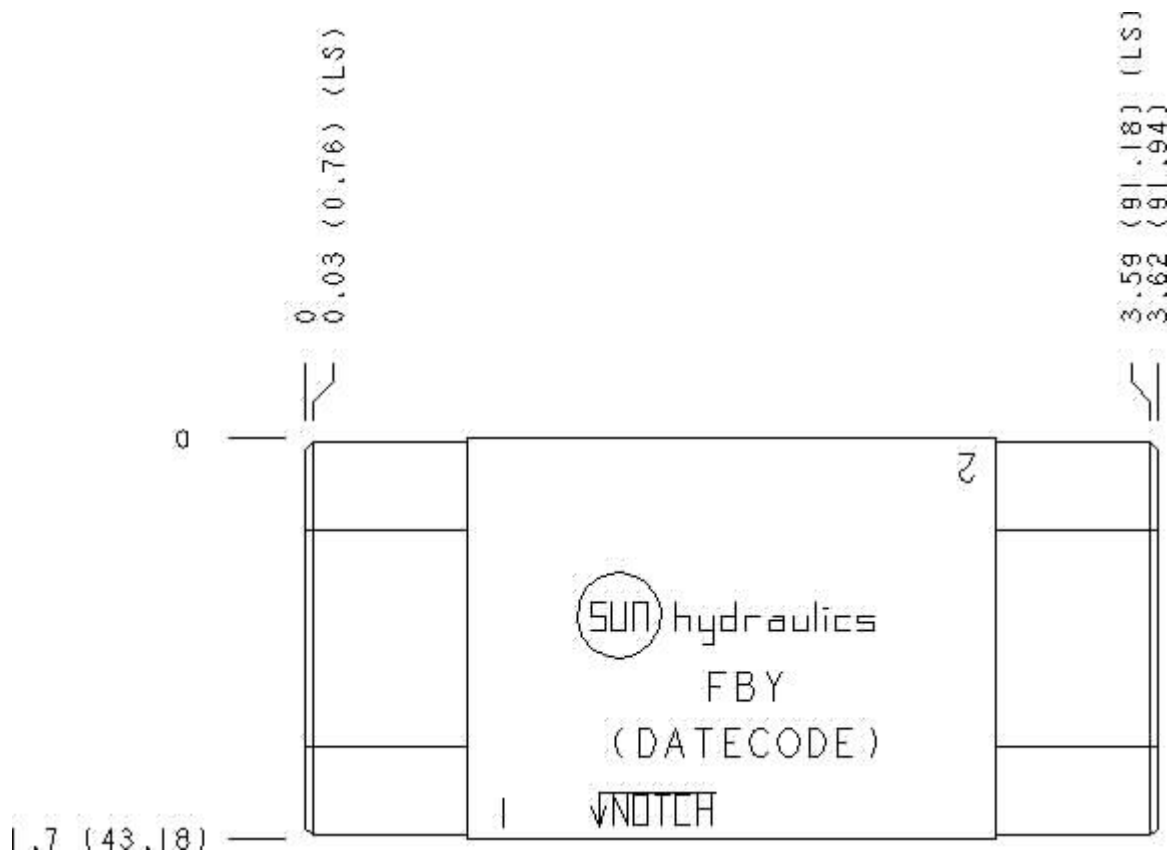
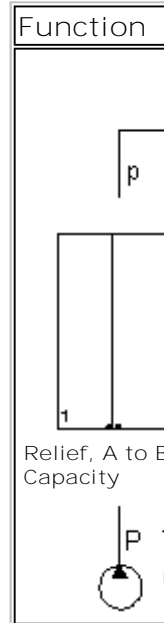
Functional Group:

Products : Manifolds : Sandwich : Relief : ISO 03 : A to B and B to A high capacity

Model:

FBY

Face : 6



Cartridge extension measurement is to the centerline of the cartridge.

Aluminum Body Pressure Rating: **3000 psi (210 bar)**

Ductile Iron Body Pressure Rating: **5000 psi (350 bar)**

Technical Data

	U.S. Units	Metric Units
Model Weight	0.83 lb.	0.38 kg.
Cavity	T-10A	
Body Features	A to B and B to A	
Body Type	Sandwich	
Interface	ISO 03	
Open Cavity Quantity	2	
Stack Height	1.75 in.	44,5 mm

Option Selection:

Model Code	Description
FBY	Aluminum, Buna-N, U.S. Units
FBY/S	Ductile Iron, Buna-N, U.S. Units
FBY/V	Aluminum, Viton, U.S. Units
FBY/Y	Ductile Iron, Viton, U.S. Units

Special Notes :

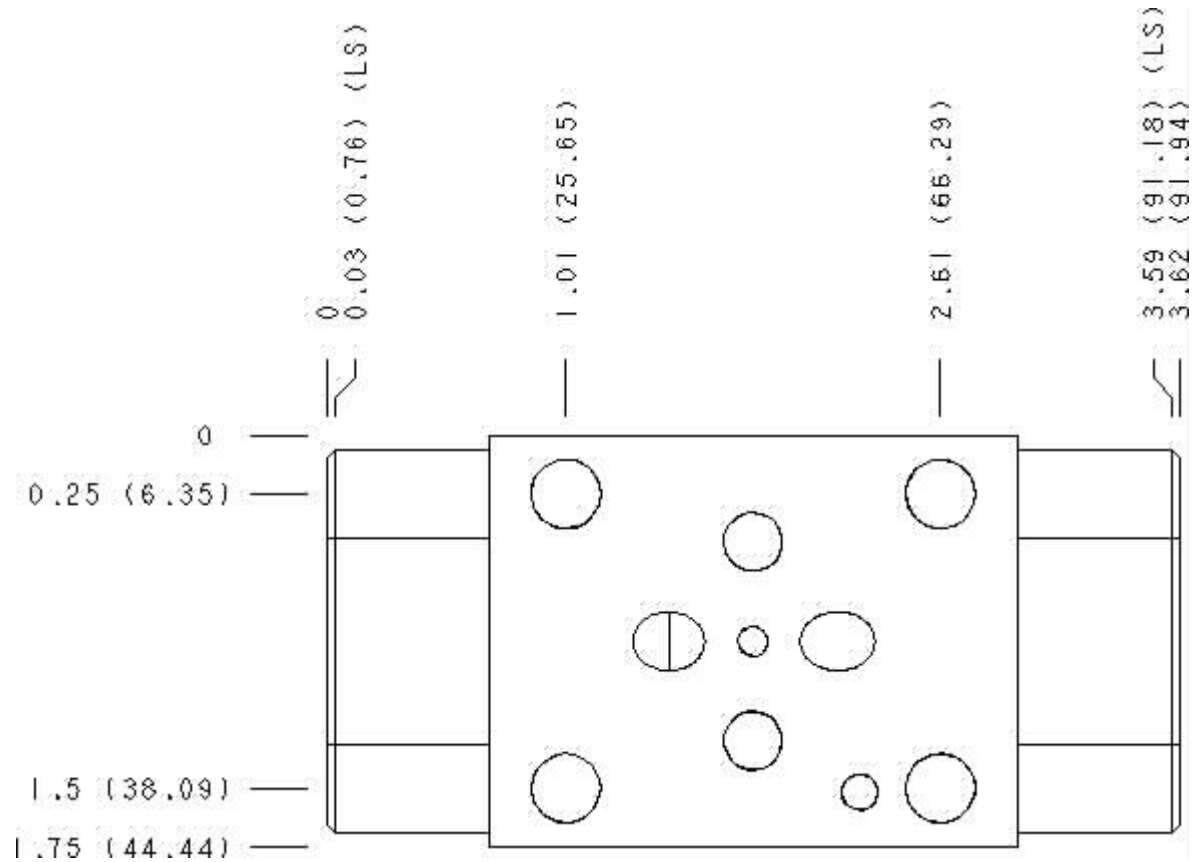
No Special Notes available for selected Model.



Functional Group:
Products : Manifolds : Sandwich : Relief : ISO 03 : A to B and B to A high
capacity

Model:
FBY

Face : 2



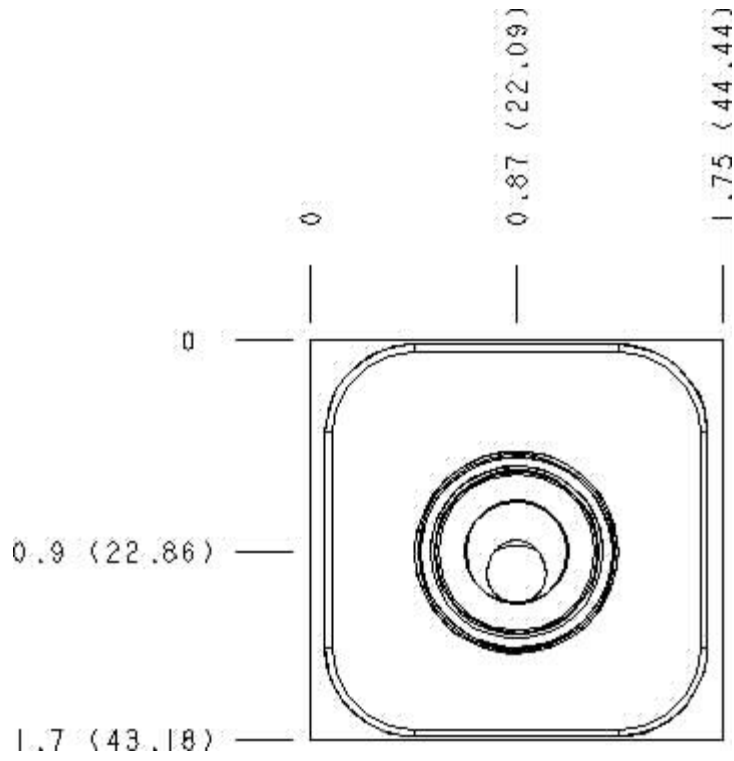
Cartridge extension measurement is to the centerline of the cartridge.



Functional Group:
 Products : Manifolds : Sandwich : Relief : ISO 03 : A to B and B to A high capacity

Model:
 FBY

Face : 5



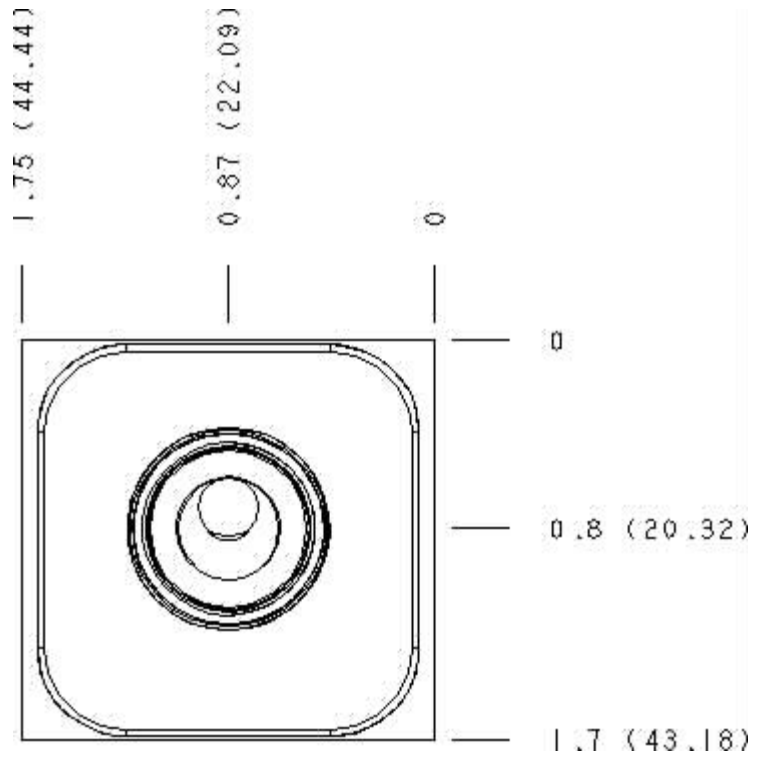
Cartridge extension measurement is to the centerline of the cartridge.



Functional Group:
Products : Manifolds : Sandwich : Relief : ISO 03 : A to B and B to A high capacity

Model:
FBY

Face : 7



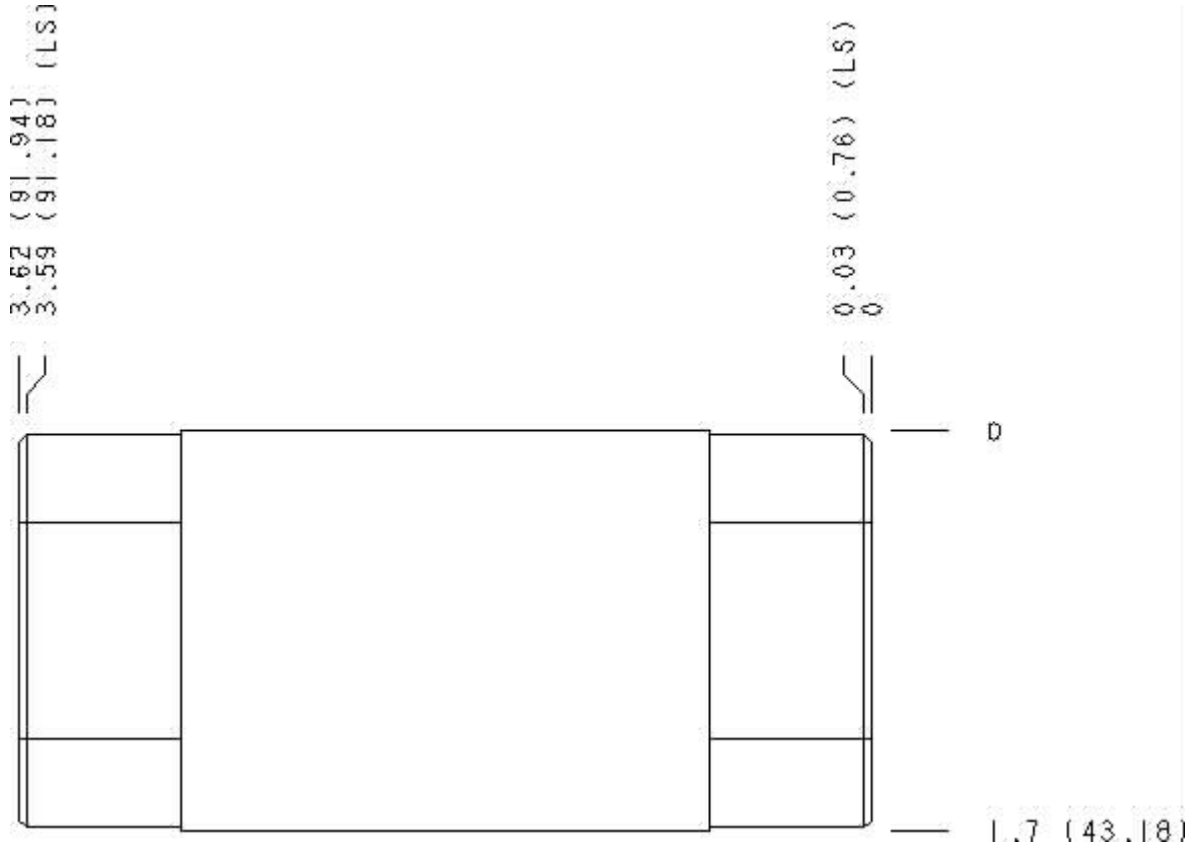
Cartridge extension measurement is to the centerline of the cartridge.



Functional Group:
Products : Manifolds : Sandwich : Relief : ISO 03 : A to B and B to A high capacity

Model:
FBY

Face : 8



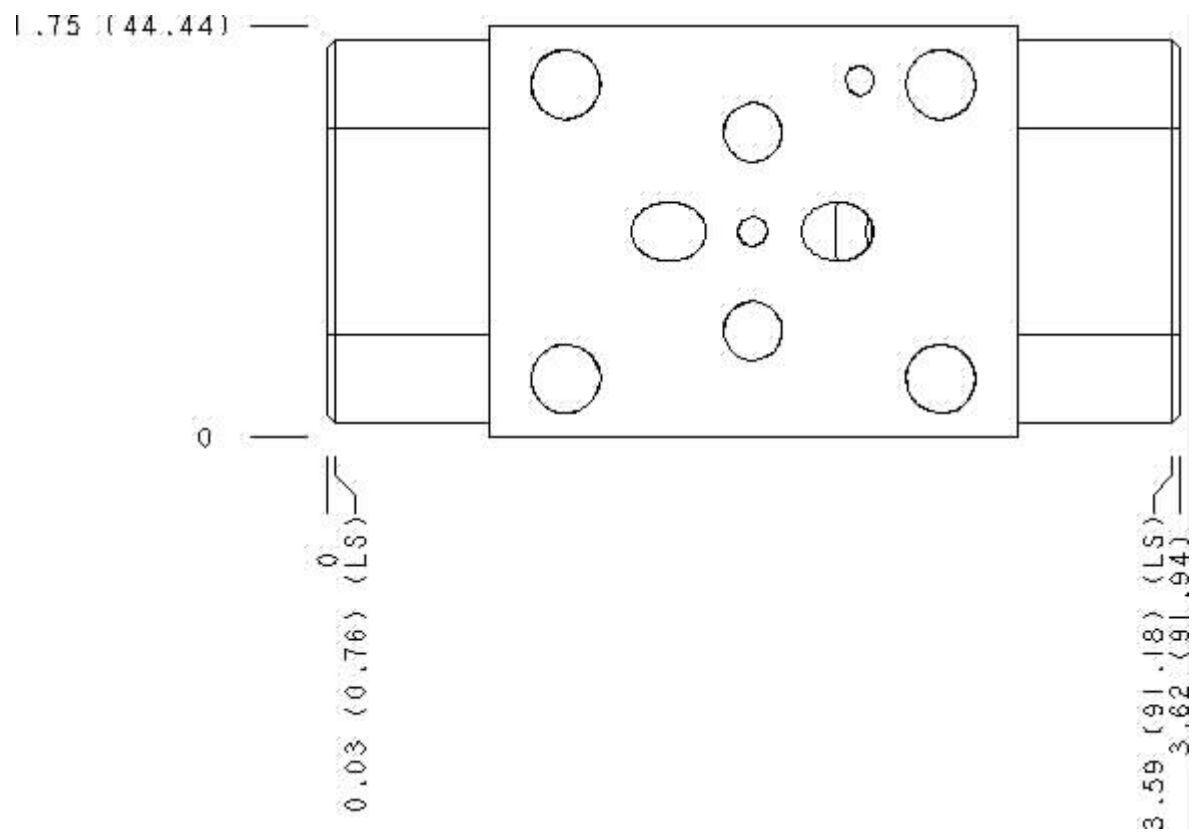
Cartridge extension measurement is to the centerline of the cartridge.



Functional Group:
Products : Manifolds : Sandwich : Relief : ISO 03 : A to B and B to A high capacity

Model:
FBY

Face : 10



Cartridge extension measurement is to the centerline of the cartridge.



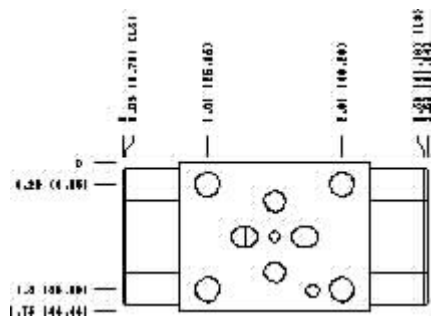
Functional Group:

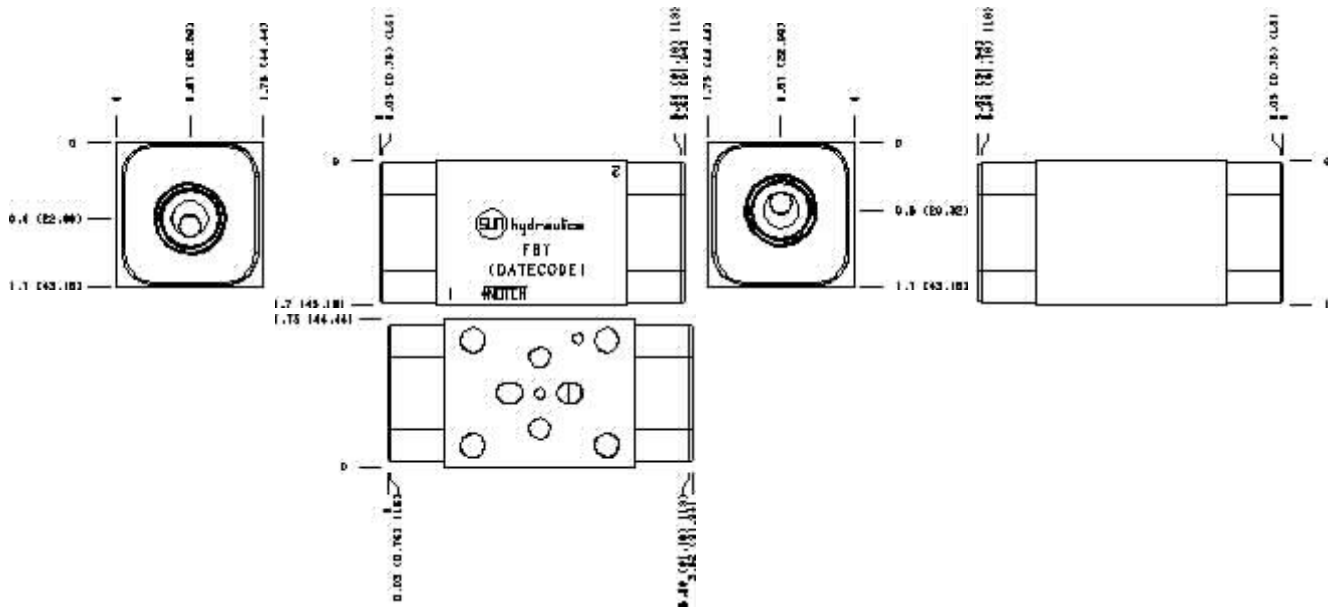
Products : Manifolds : Sandwich : Relief : ISO 03 : A to B and B to A high capacity

Model:
FBY

Projection Type

All Dimensions in Inches(mm)





Copyright © 2007-2008 Sun Hydraulics Corporation.
All rights reserved.

[Terms and Conditions](#) - [Statement of Privacy](#)