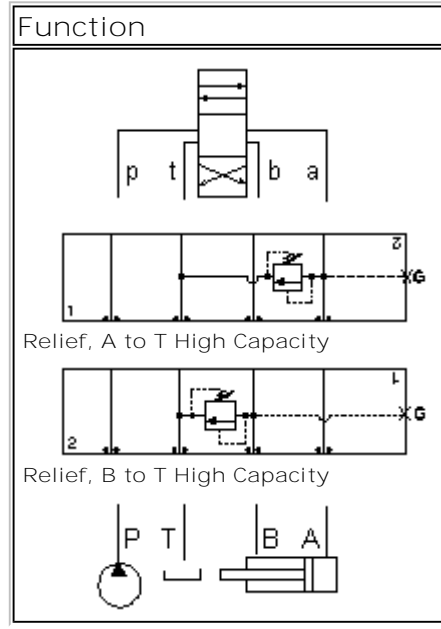
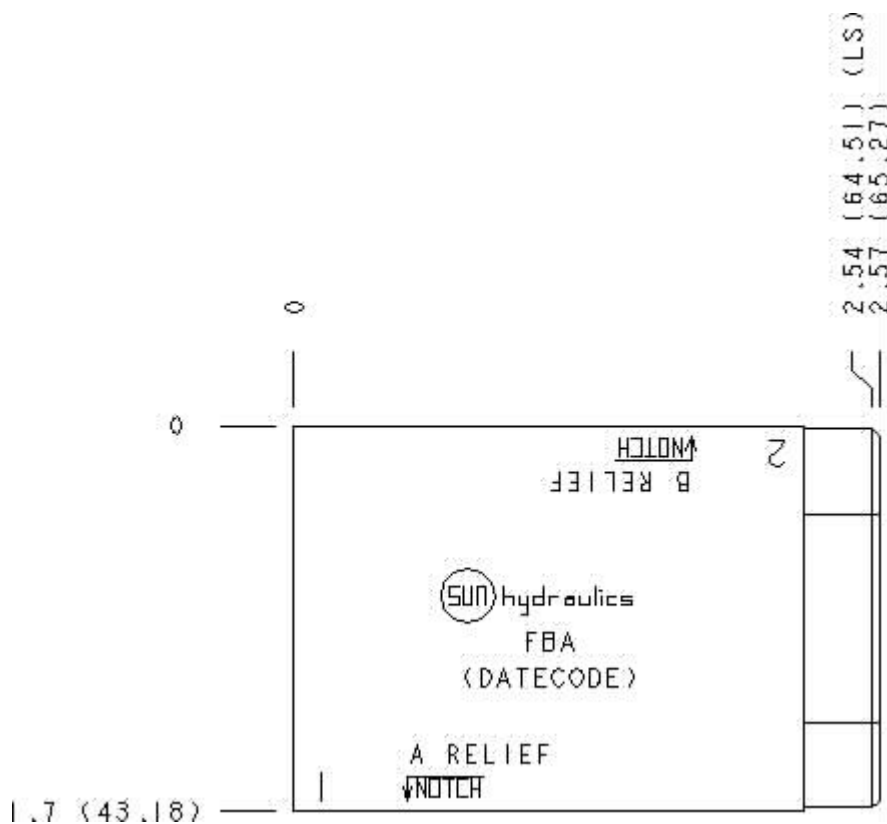


Functional Group:  
 Products : Manifolds : Sandwich : Relief : ISO 03 : A to T high capacity

Model:  
 FBA

Face : 6



Aluminum Body Pressure Rating: **3000 psi (210 bar)**  
 Ductile Iron Body Pressure Rating: **5000 psi (350 bar)**

Port Headings and Sizes:

Gage Port (Plugged)  
 1/4" BSPP

Gage Port (Plugged)  
 1/4" NPTF

Technical Data

	U.S. Units	Metric Units
<b>Model Weight</b>	0.63 lb.	0.29 kg.
<b>Cavity</b>	T-10A	
<b>Body Features</b>	A or B to T	
<b>Body Type</b>	Sandwich	
<b>Interface</b>	ISO 03	

<b>Open Cavity Quantity</b>	1	
<b>Stack Height</b>	1.75 in.	44,5 mm

---

Option Selection:

Model Code	Description
FBA	Aluminum, Buna-N, U.S. Units
FBA/M	Aluminum, Buna-N, Metric
FBA/S	Ductile Iron, Buna-N, U.S. Units
FBA/T	Ductile Iron, Buna-N, Metric
FBA/V	Aluminum, Viton, U.S. Units
FBA/W	Ductile Iron, Viton, Metric
FBA/Y	Ductile Iron, Viton, U.S. Units
FBA/Z	Aluminum, Viton, Metric

---

Special Notes :

No Special Notes available for selected Model.

---

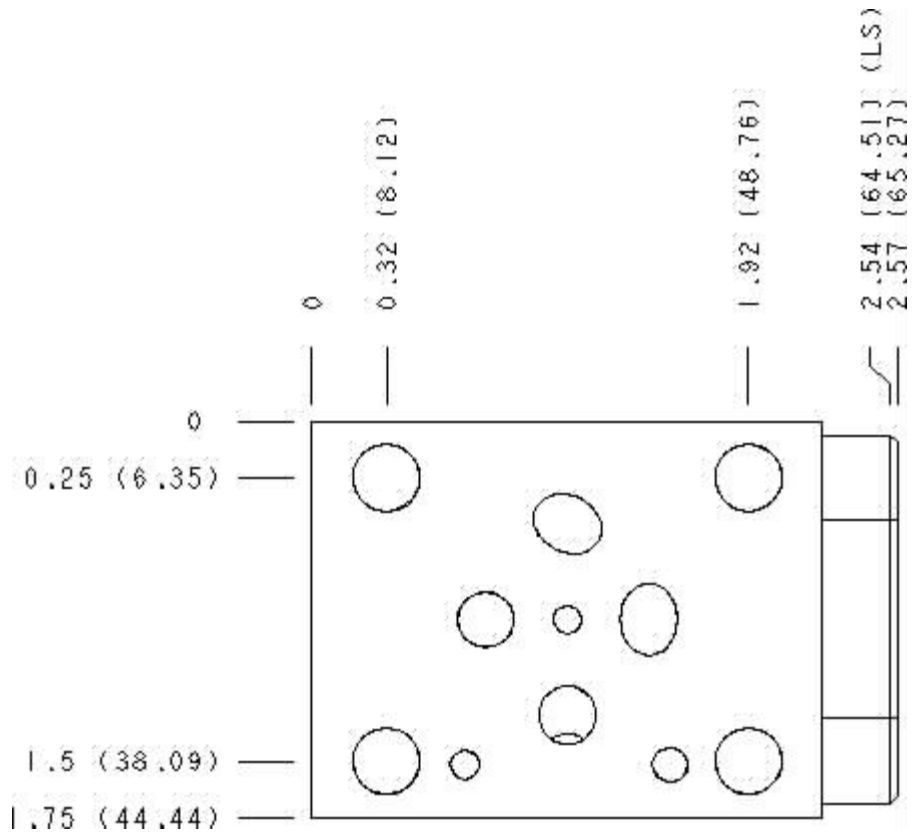


Functional Group:  
Products : Manifolds : Sandwich : Relief : ISO 03 : A to T high capacity

Model:  
FBA

Face : 2

---



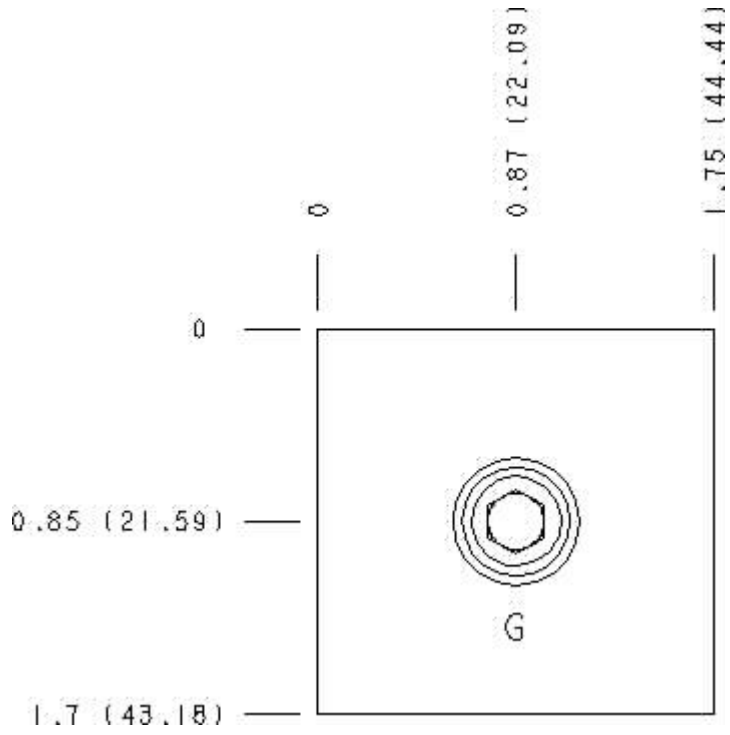
Cartridge extension measurement is to the centerline of the cartridge.



Functional Group:  
 Products : Manifolds : Sandwich : Relief : ISO 03 : A to T high capacity

Model:  
 FBA

Face : 5



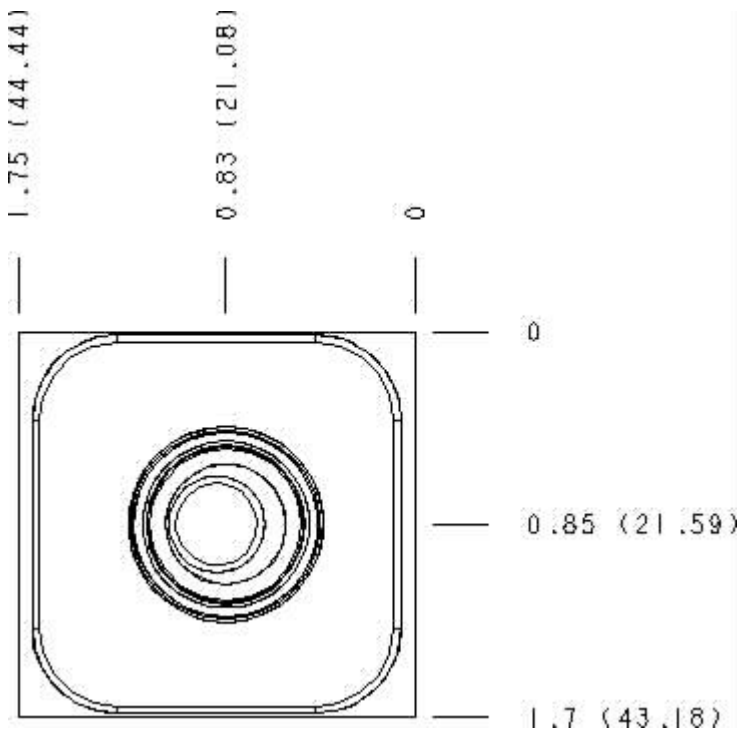
Cartridge extension measurement is to the centerline of the cartridge.



Functional Group:  
 Products : Manifolds : Sandwich : Relief : ISO 03 : A to T high capacity

Model:  
 FBA

Face : 7



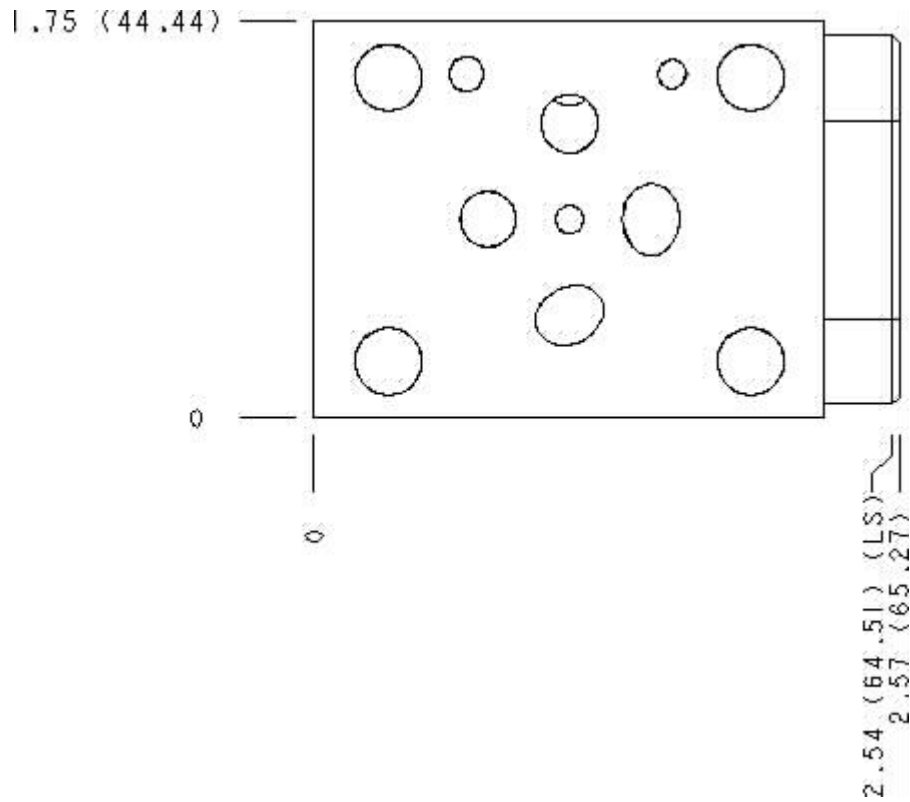
Cartridge extension measurement is to the centerline of the cartridge.



Functional Group:  
Products : Manifolds : Sandwich : Relief : ISO 03 : A to T high capacity

Model:  
FBA

Face : 10



Cartridge extension measurement is to the centerline of the cartridge.

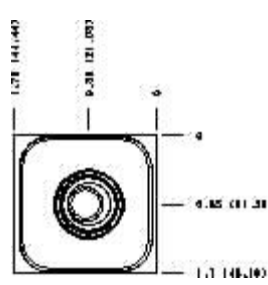
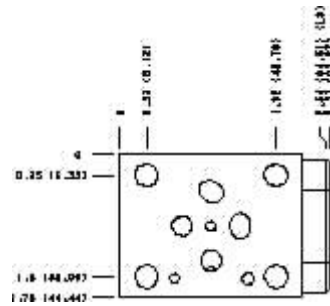
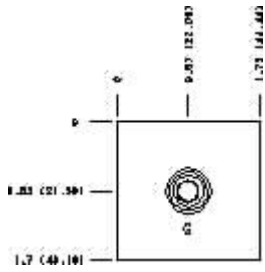


Functional Group:  
Products : Manifolds : Sandwich : Relief : ISO 03 : A to T high capacity

Model:  
FBA

Projection Type

All Dimensions in Inches(mm)



Copyright © 2007-2008 Sun Hydraulics Corporation.  
All rights reserved.

[Terms and Conditions](#) - [Statement of Privacy](#)