

1.62 (41.14)

0.28 (7.11)

0

2.5 (63.5)
2.46 (62.48) (LS)

0.28 (7.11)

0

CONFIGURATION

/S Modifier 65-45-12 Ductile Iron, Buna-N, Blackened

TECHNICAL DATA

Body Type	Line mount
Interface	None
Body Features	Ninety degree
Mounting Hole Diameter	.34 in.
Mounting Hole Depth	Through
Mounting Hole Quantity	1
Open Cavities	1
Cavity	T-10A
Port Size	SAE 8
Model Weight	0.93 lb.

NOTES

Important: Carefully consider the maximum system pressure. The pressure rating of the manifold is dependent on the manifold material, with the port type/size a secondary consideration. Manifolds constructed of aluminum are not rated for pressures higher than 3000 psi (210 bar), regardless of the port type/size specified.

PORT DESIGNATORS

Modifiers	Ports
FAJ, /S	All Ports: SAE 8;

CONFIGURATION OPTIONS

Model Code Example: FAJ/S

MODIFIER _____ (/S)

/S 65-45-12 Ductile Iron, Buna-N, Blackened
6061-T651 Aluminum, Buna-N

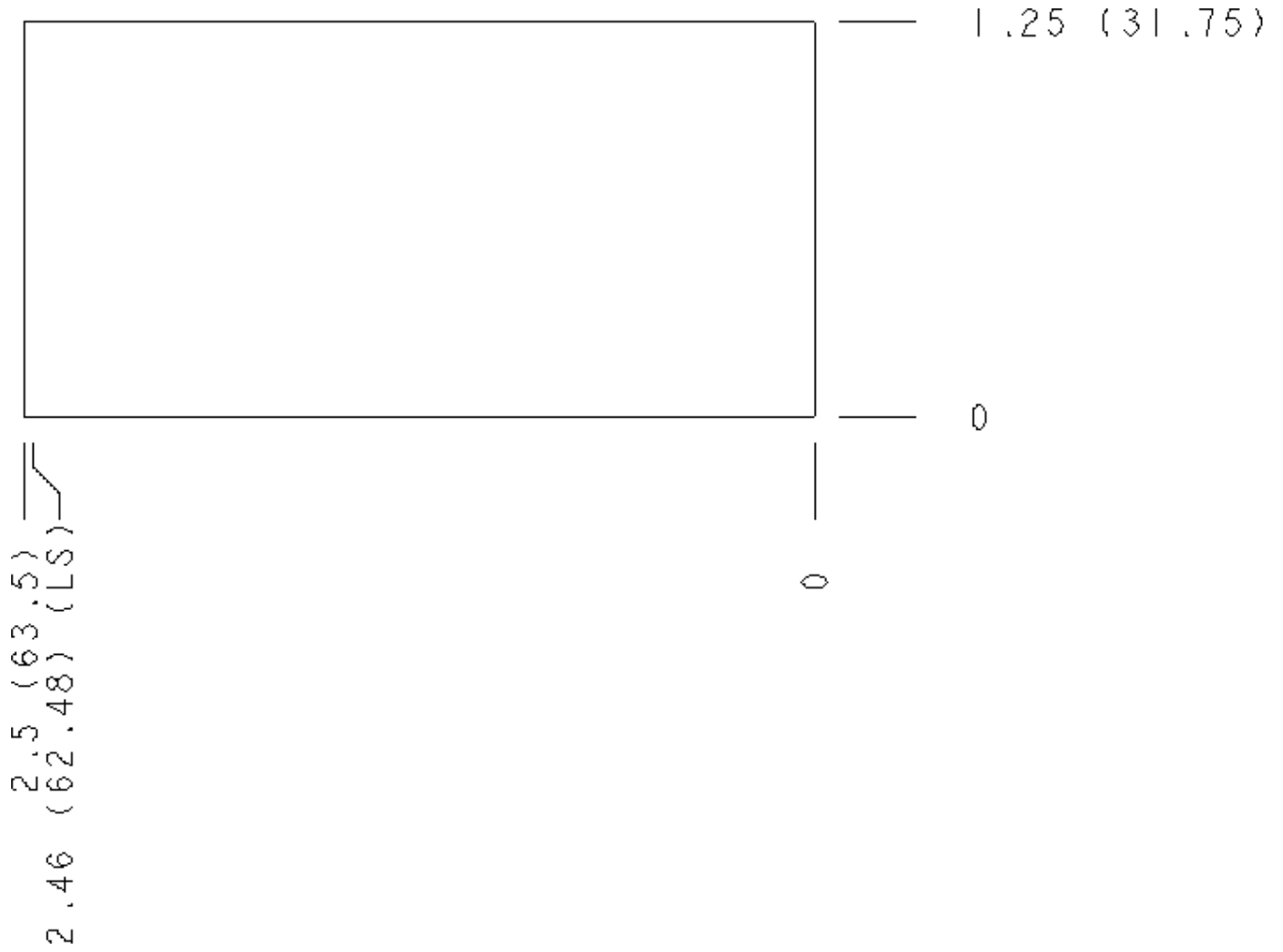
MANIFOLD FACES

FACE GRID

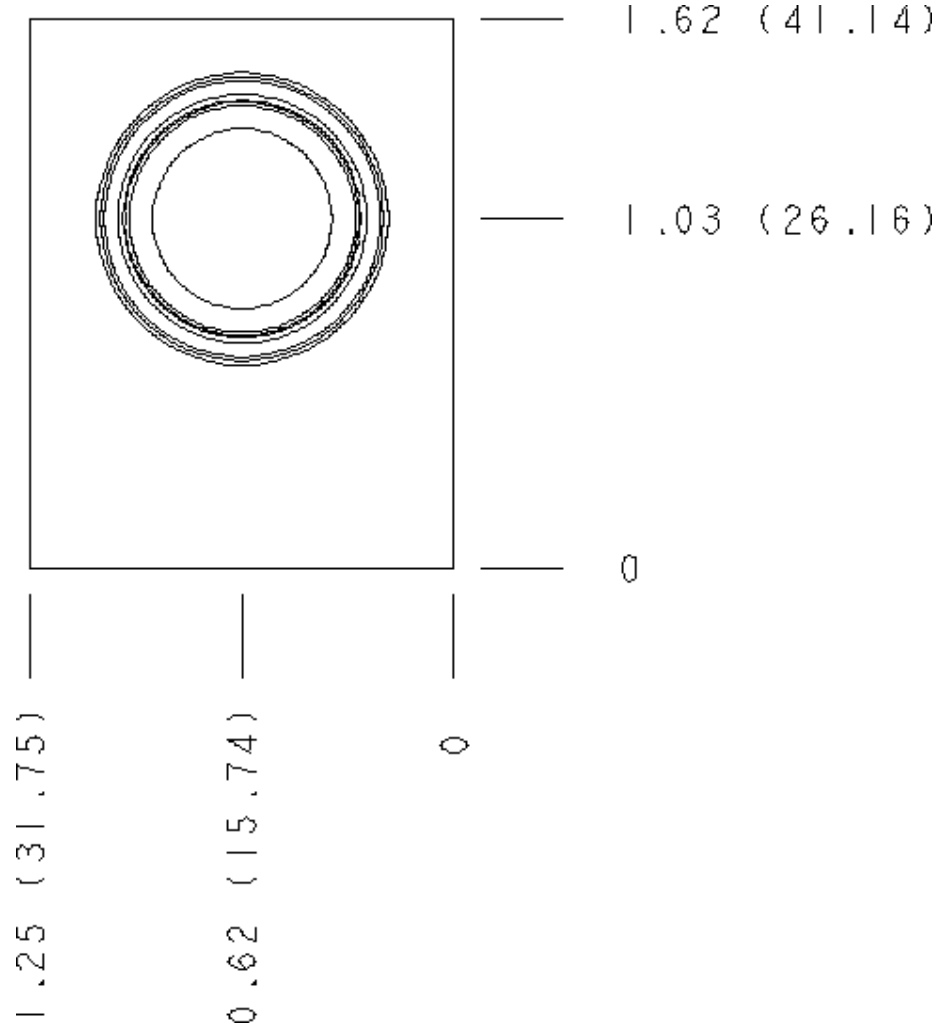


5	6	7	8
9	10	11	12

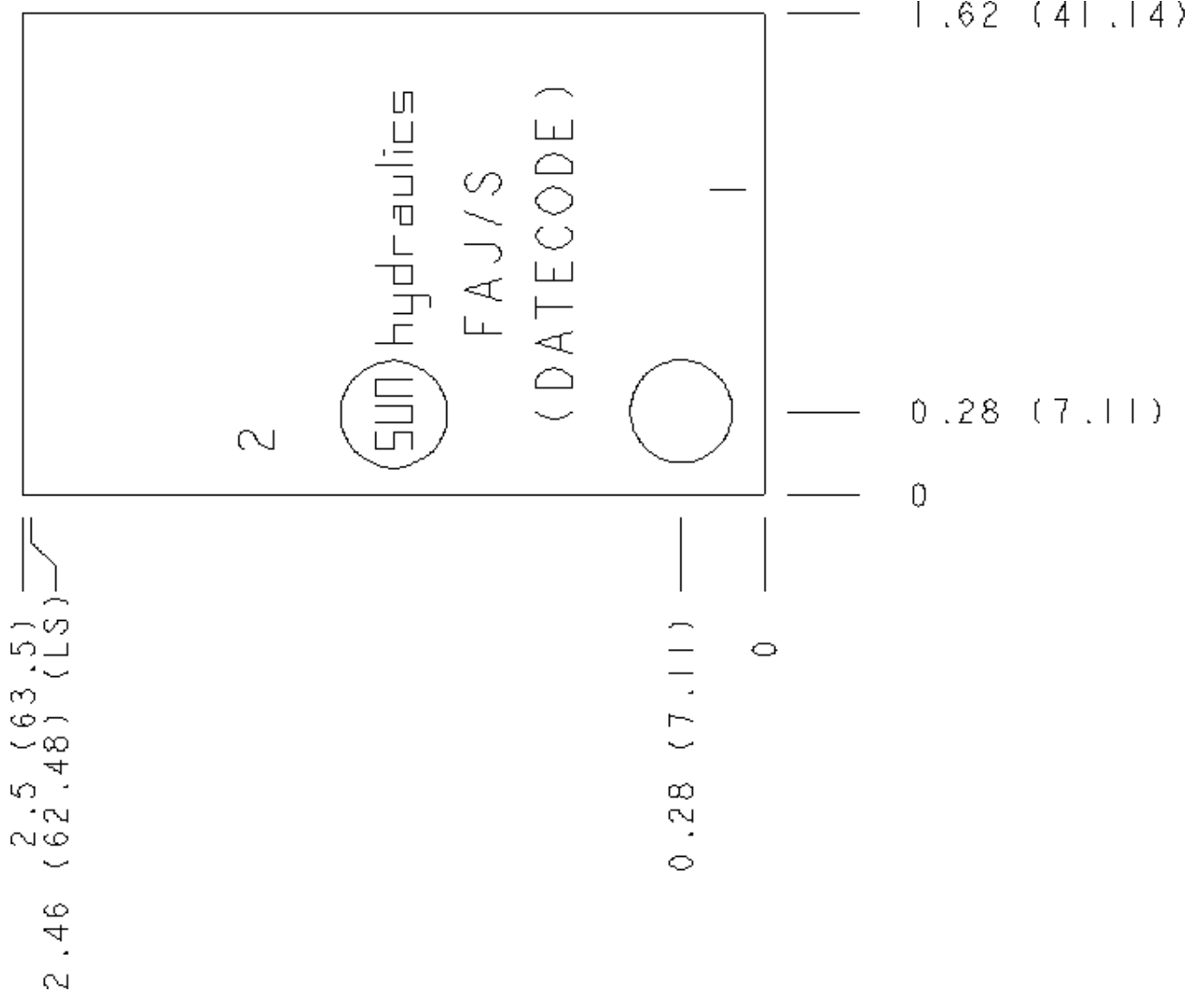
Face 2



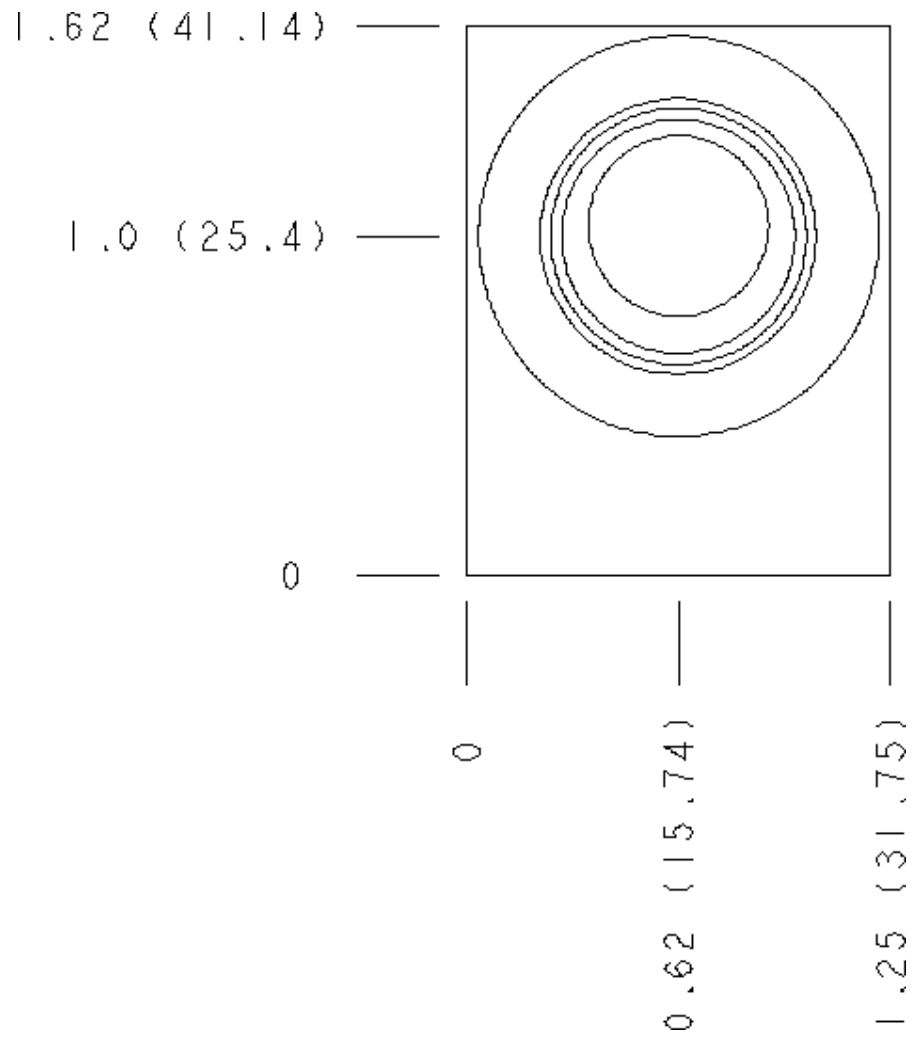
Face 5



Face 6



Face 7



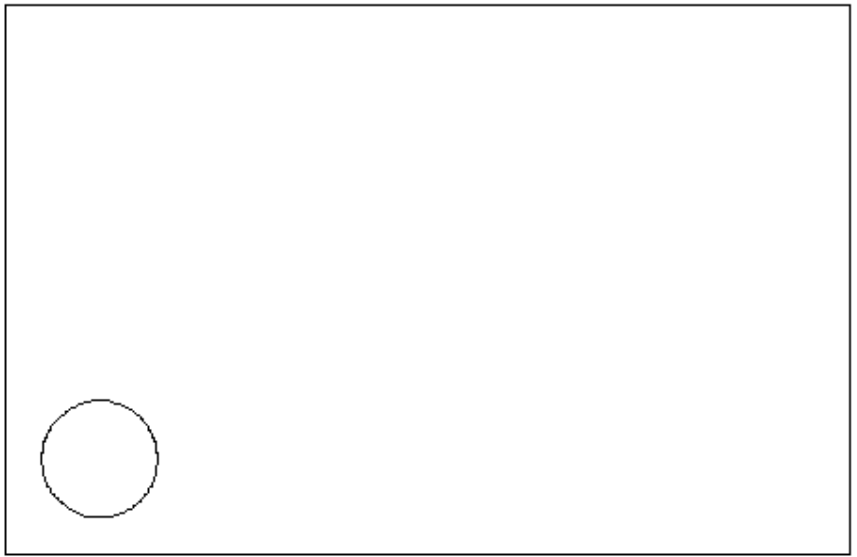
Face 8

1.62 (41.14)

0

0

2.46 (62.48) (LS)
2.5 (63.5)



Face 10

