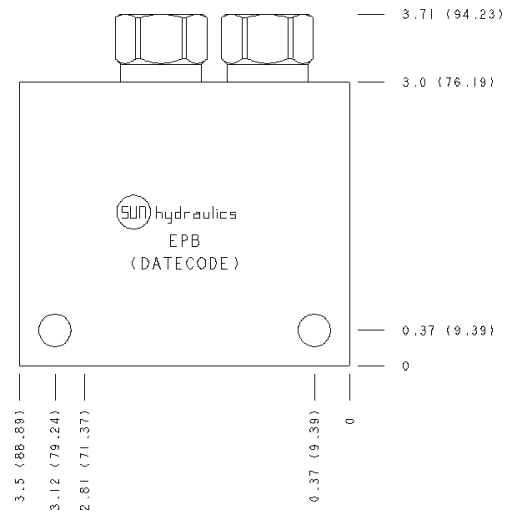
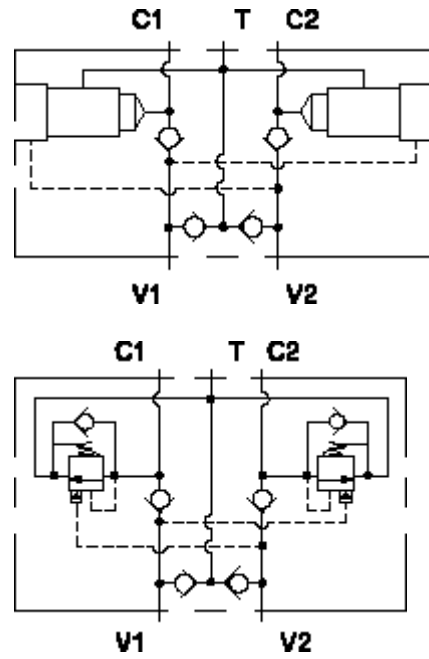


Model: EPB
Line mount

Aluminum Body Pressure Rating: 3000 psi (210 bar)
Ductile Iron Body Pressure Rating: 5000 psi (350 bar)



Technical Data

	U.S. Units	Metric Units
Cavity	T-11A	
Body Features	Cushion lock with make up checks	
Body Type	Line mount	
Interface	None	
Open Cavity Quantity	2	
Mounting Hole Diameter	.34 in.	8.6 mm
Mounting Hole Depth	Through	
Mounting Hole Quantity	2	

Display Components

	Part	Description	Quantity
EPB		Body - Aluminum	1
- CXCDXAN		Cartridge	2
- CXDAXAN		Cartridge	2

Port Headings and Sizes

EPB	Ports C1, C2, V1, V2	3/8" NPTF
EPB	Port T	1/2" NPTF

<http://www.sunhydraulics.com>

Date Created: 12/31/2009

Copyright © 2008-2009 Sun Hydraulics Corporation. All rights reserved.