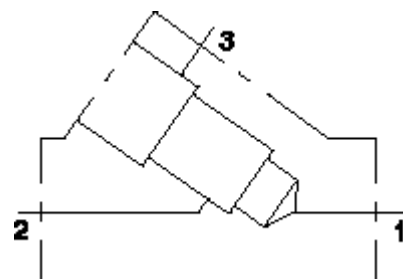


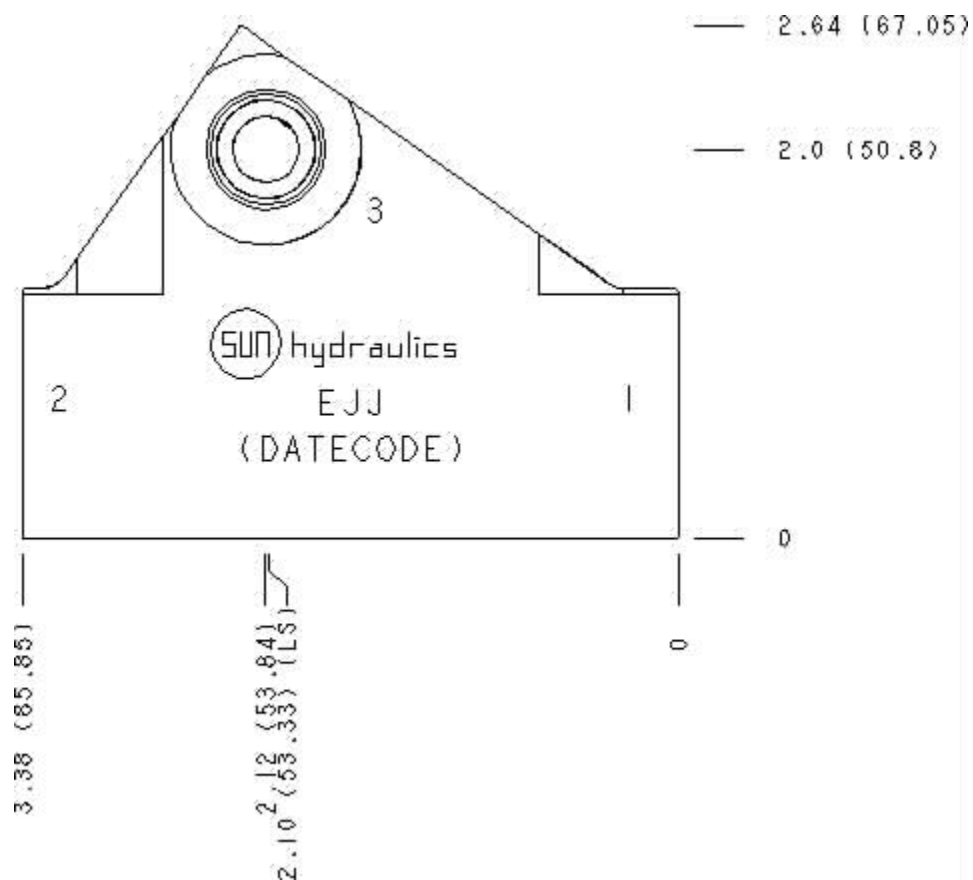
Functional Group:
 Products : Manifolds : Line mount : Counterbalance : 3 Port : Inline

Model:
 EJJ

Aluminum Body Pressure Rating: 3000 psi (210 bar)
 Ductile Iron Body Pressure Rating: 5000 psi (350 bar)



Face: 6



Cartridge extension measurement is to the centerline of the cartridge.

Port Headings and Sizes

| | | |
|-----|-------------|-------|
| EJJ | Ports 1 & 2 | SAE 8 |
| EJJ | Port 3 | SAE 6 |

Technical Data

| | U.S. Units | Metric Units |
|------------------------|------------|--------------|
| Model Weight | 0.86 lb. | 0.39 kg. |
| Cavity | T-11A | |
| Body Features | Inline | |
| Body Type | Line mount | |
| Interface | None | |
| Open Cavity Quantity | 1 | |
| Mounting Hole Diameter | .34 in. | 8.6 mm |
| Mounting Hole Depth | Through | |
| Mounting Hole Quantity | 2 | |

Option Selection

U.S. Dollar ▼

| Model Code | Description |
|------------|-------------------------------------|
| EJJ | Aluminum, Buna-N, U.S. Units |
| EJJ/S | Ductile Iron, Buna-N, U.S. Units |
| EJJ/A | Stainless Steel, Buna-N, U.S. Units |

Special Notes

- No Special Notes Available for selected model.