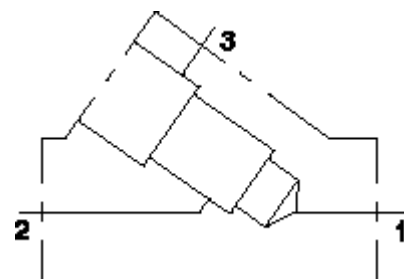


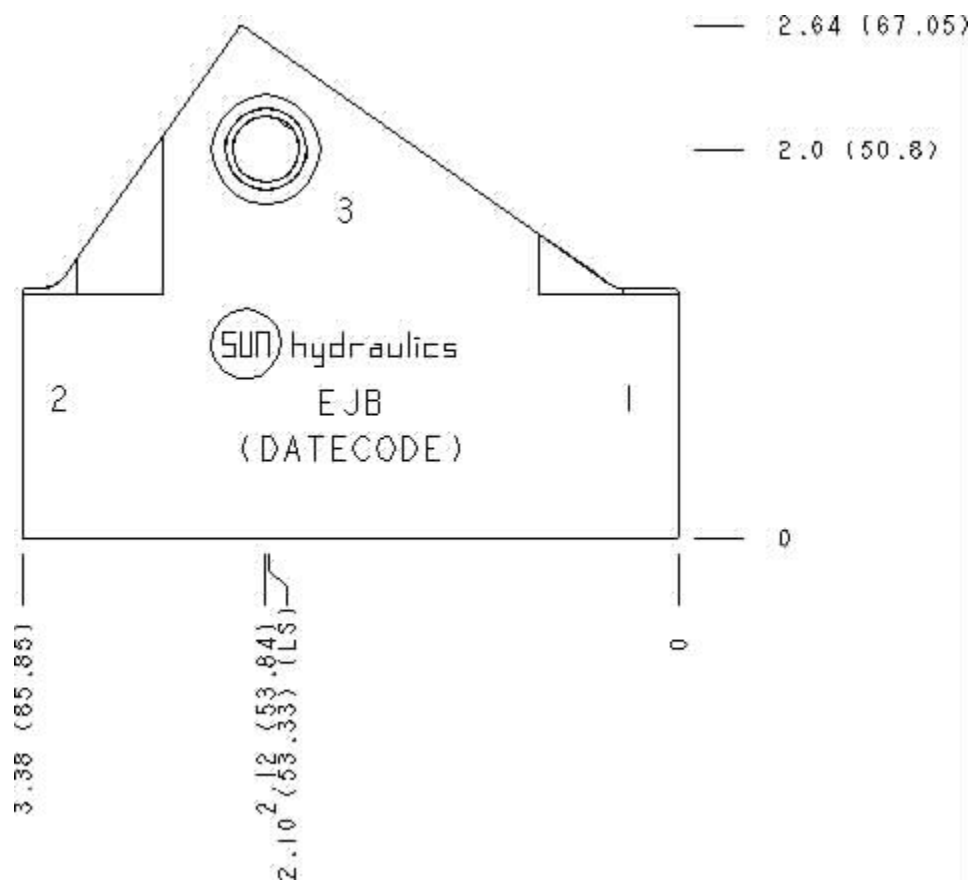
Functional Group:  
 Products : Manifolds : Line mount : Circuit Saver : 3 Port : Inline

Model:  
 EJB

Aluminum Body Pressure Rating: 3000 psi (210 bar)  
 Ductile Iron Body Pressure Rating: 5000 psi (350 bar)



Face: 6



Cartridge extension measurement is to the centerline of the cartridge.

#### Port Headings and Sizes

EJB	Ports 1 & 2	3/8" NPTF
EJB	Port 3	1/4" NPTF

#### Technical Data

	U.S. Units	Metric Units
Model Weight	0.89 lb.	0.40 kg.
Cavity	T-11A	
Body Features	Inline	
Body Type	Line mount	
Interface	None	
Open Cavity Quantity	1	
Mounting Hole Diameter	.34 in.	8.6 mm
Mounting Hole Depth	Through	
Mounting Hole Quantity	2	

Option Selection

U.S. Dollar ▼

Model Code	Description
EJB	Aluminum, Buna-N, U.S. Units
EJB/S	Ductile Iron, Buna-N, U.S. Units

Special Notes

- No Special Notes Available for selected model.