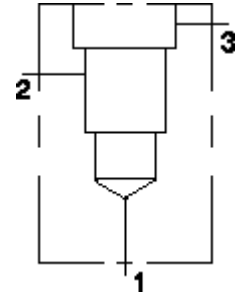
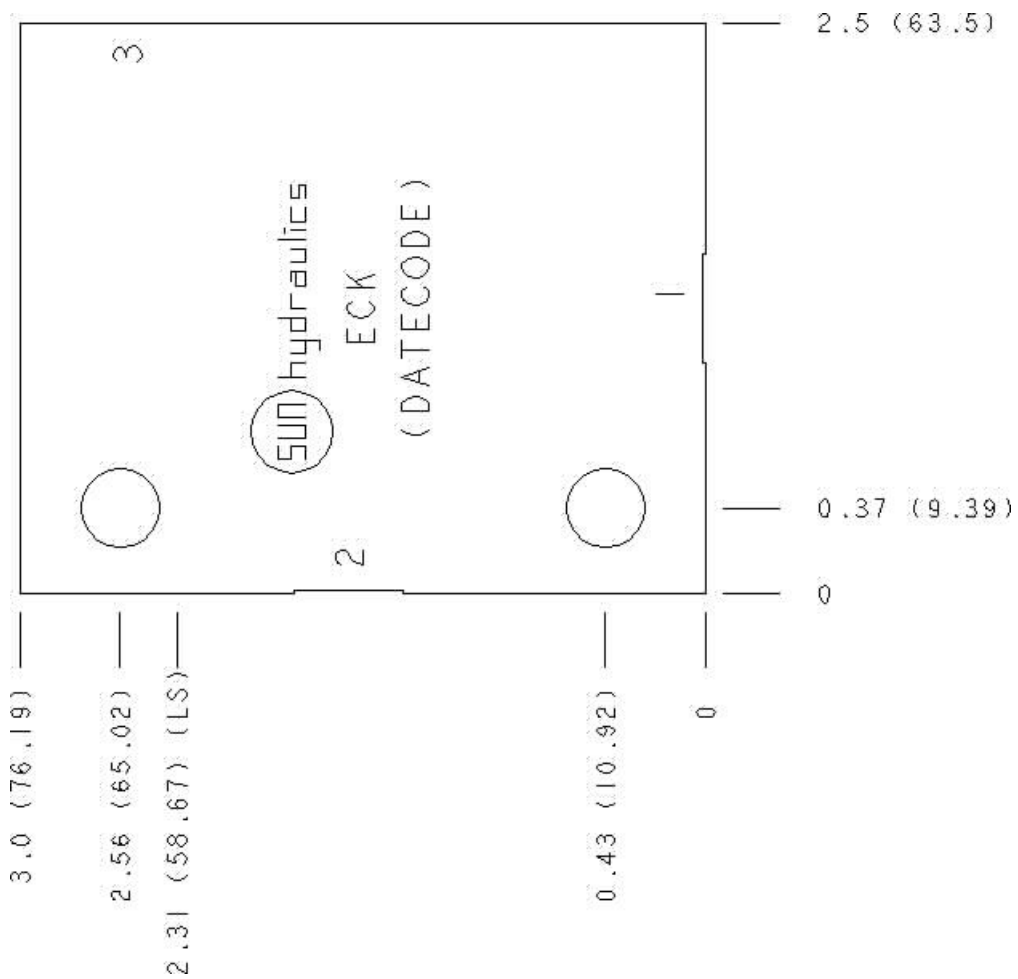


Functional Group:
 Products : Manifolds : Line mount : Check : 3 Port : Ninety degree

Model:
 ECK



Face: 6



ECK Ports 1 & 2 SAE 10
ECK Port 3 SAE 6

Technical Data

	U.S. Units	Metric Units
Cavity		T-11A
Body Features		Ninety degree
Body Type		Line mount
Interface		None
Open Cavity Quantity		1
Mounting Hole Diameter	.34 in.	8.6 mm
Mounting Hole Depth		Through
Mounting Hole Quantity		2
Model Weight	0.69 lb.	0.31 kg.

Option Selection

U.S. Dollar ▼

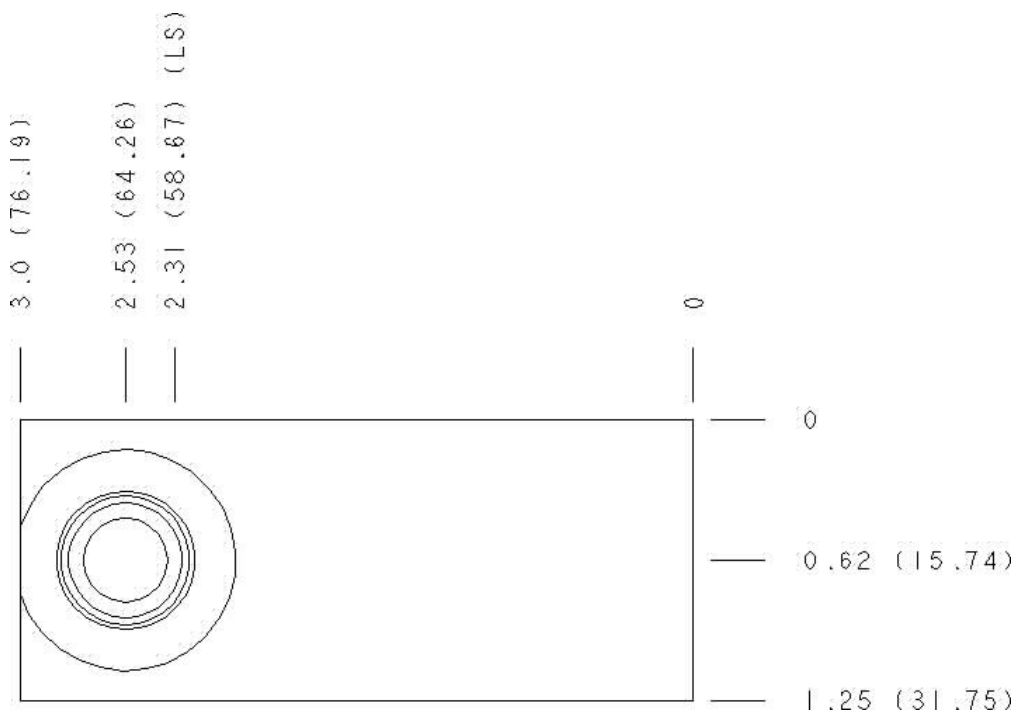
Aluminum Body Pressure Rating: 3000 psi (210 bar)
Ductile Iron Body Pressure Rating: 5000 psi (350 bar)

Model Code	Description
ECK	Aluminum, Buna-N, U.S. Units
ECK/S	Ductile Iron, Buna-N, U.S. Units

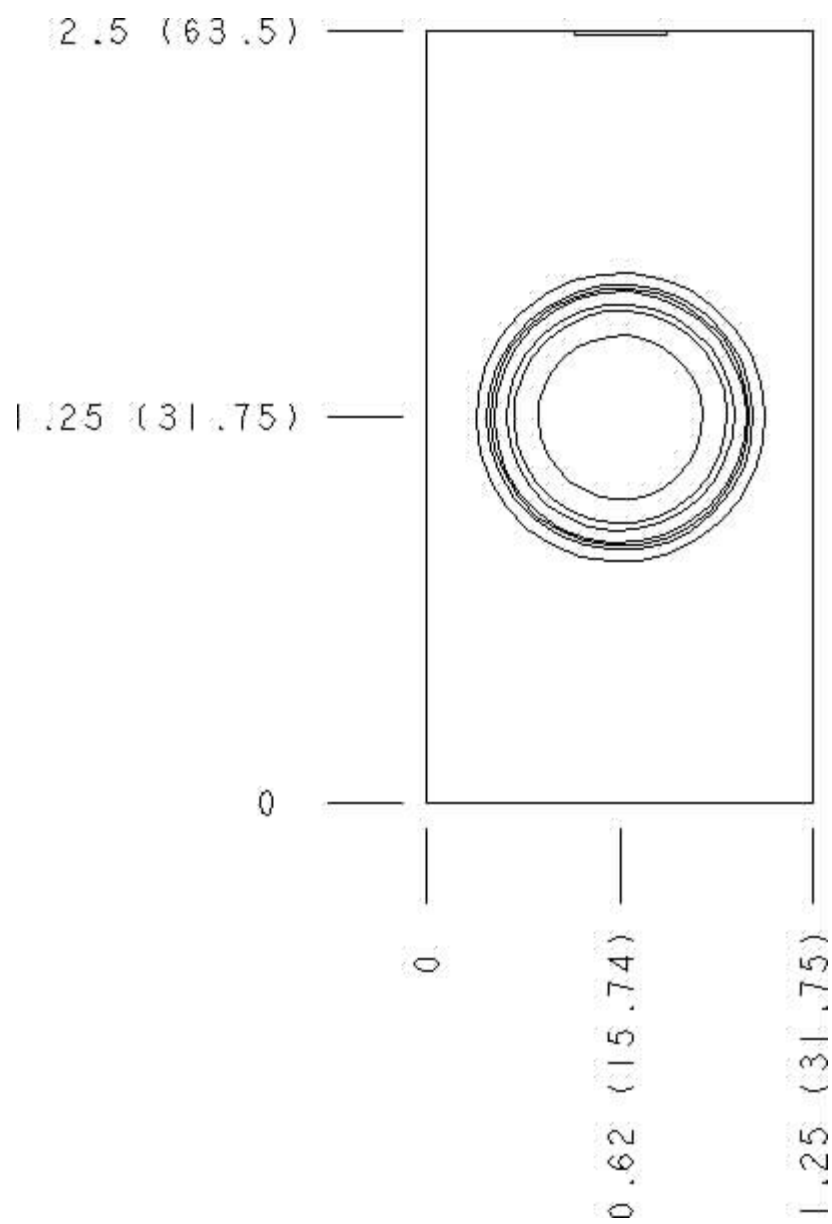
Special Notes

- No Special Notes Available for selected model.

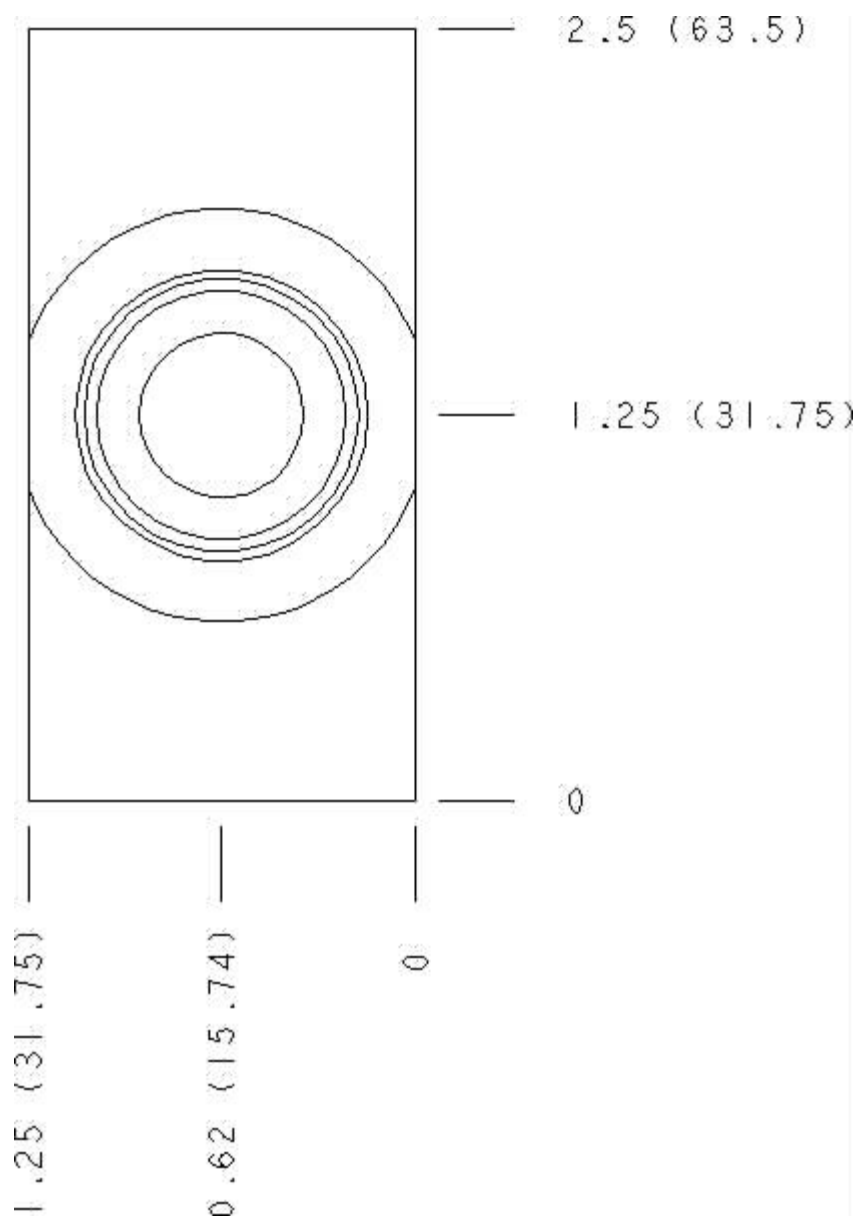
Face 2



Face 5



Face 7



Face 10

