

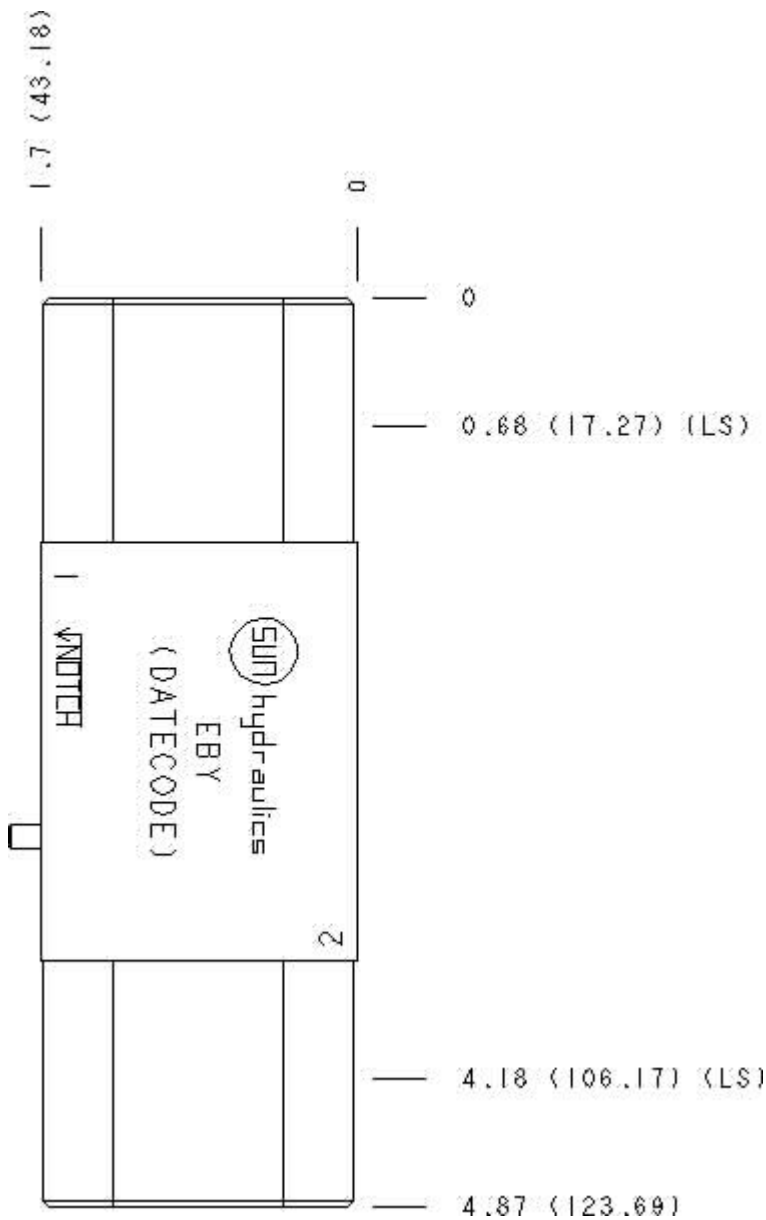
Functional Group:

Model:

Products : Manifolds : Sandwich : Counterbalance : ISO 03 : On A and B with cross pilot

EBY

Face : 5

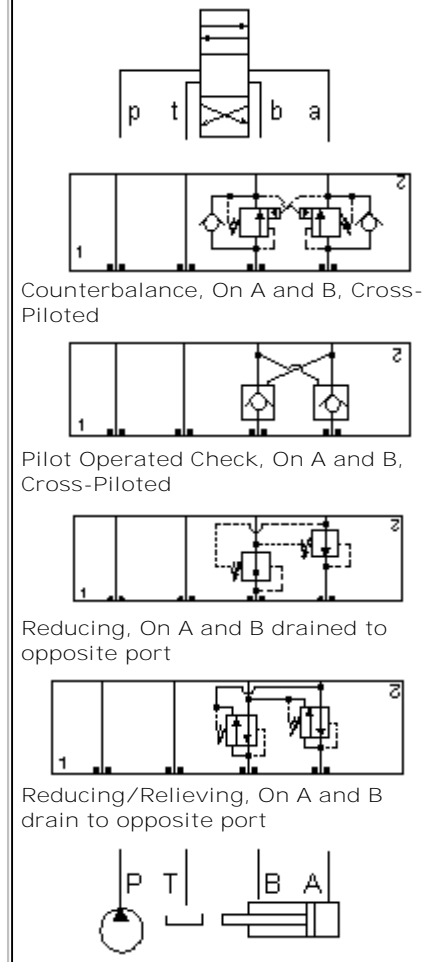


Cartridge extension measurement is to the centerline of the cartridge.

Aluminum Body Pressure Rating: **3000 psi (210 bar)**

Ductile Iron Body Pressure Rating: **5000 psi (350 bar)**

Function



Technical Data

	<b>U.S. Units</b>	<b>Metric Units</b>
<b>Model Weight</b>	1.06 lb.	0.48 kg.
<b>Cavity</b>	T-11A	
<b>Body Features</b>	On A and B with cross pilot	
<b>Body Type</b>	Sandwich	
<b>Interface</b>	ISO 03	
<b>Open Cavity Quantity</b>	2	
<b>Stack Height</b>	1.75 in.	44,5 mm

---

Option Selection:

Model Code	Description
EBY	Aluminum, Buna-N, U.S. Units
EBY/A	Stainless Steel, Buna- N, U.S. Units
EBY/S	Ductile Iron, Buna-N, U.S. Units
EBY/V	Aluminum, Viton, U.S. Units
EBY/Y	Ductile Iron, Viton, U.S. Units

---

Special Notes :

No Special Notes available for selected Model.

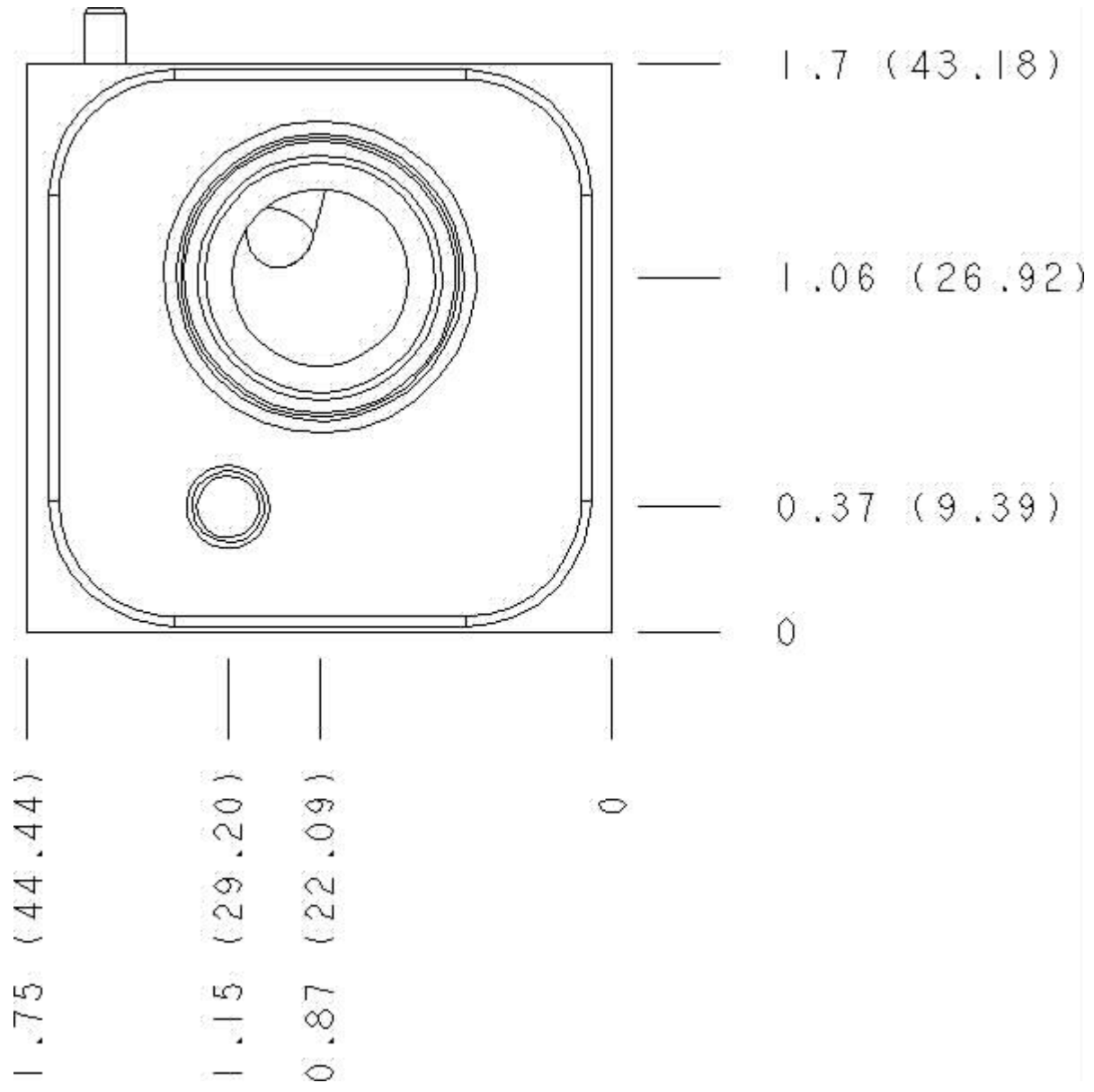


Functional Group:  
Products : Manifolds : Sandwich : Counterbalance : ISO 03 : On A and B with  
cross pilot

Model:  
EBY

Face : 2

---



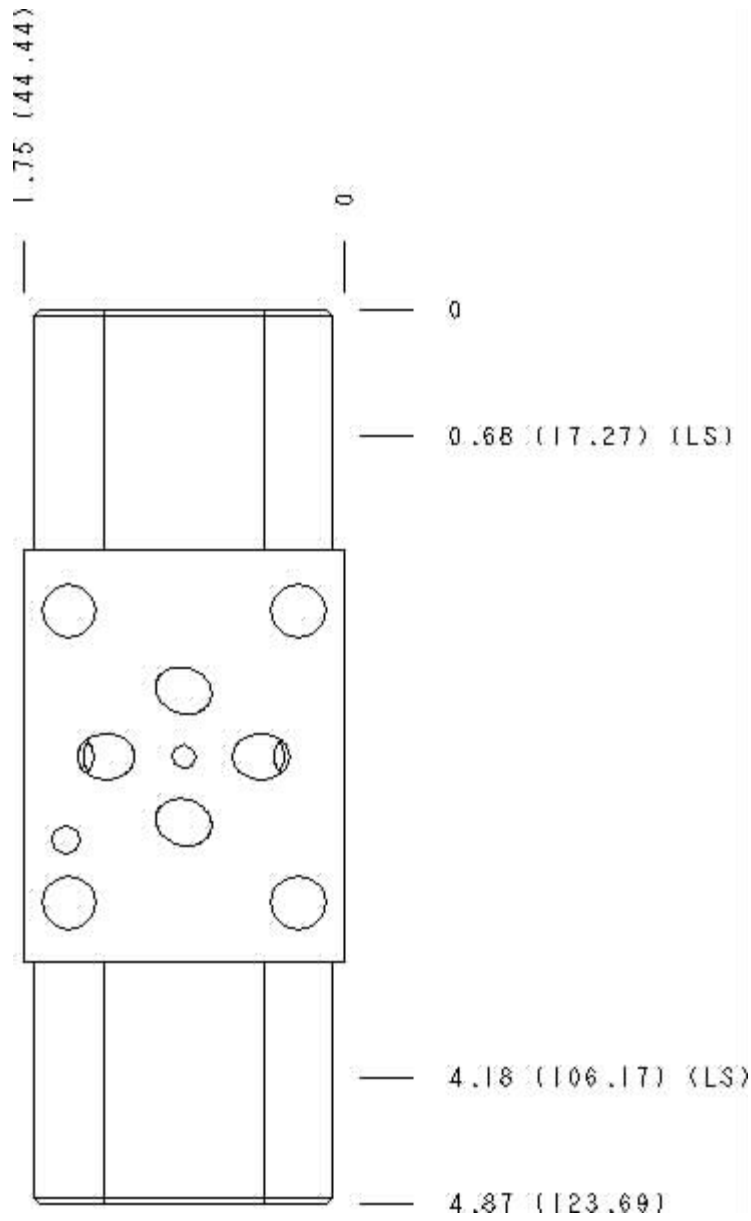
Cartridge extension measurement is to the centerline of the cartridge.



Functional Group:  
 Products : Manifolds : Sandwich : Counterbalance : ISO 03 : On A and B with  
 cross pilot

Model:  
 EBY

Face : 6



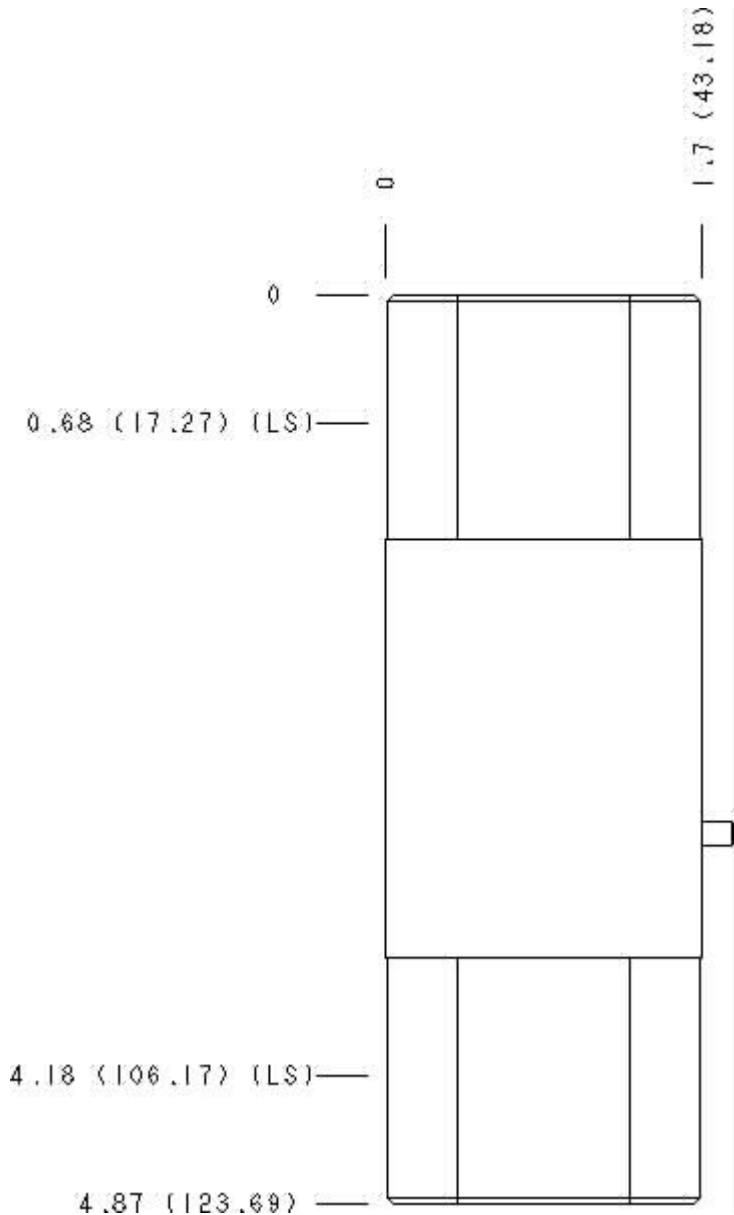
Cartridge extension measurement is to the centerline of the cartridge.



Functional Group:  
 Products : Manifolds : Sandwich : Counterbalance : ISO 03 : On A and B with  
 cross pilot

Model:  
 EBY

Face : 7



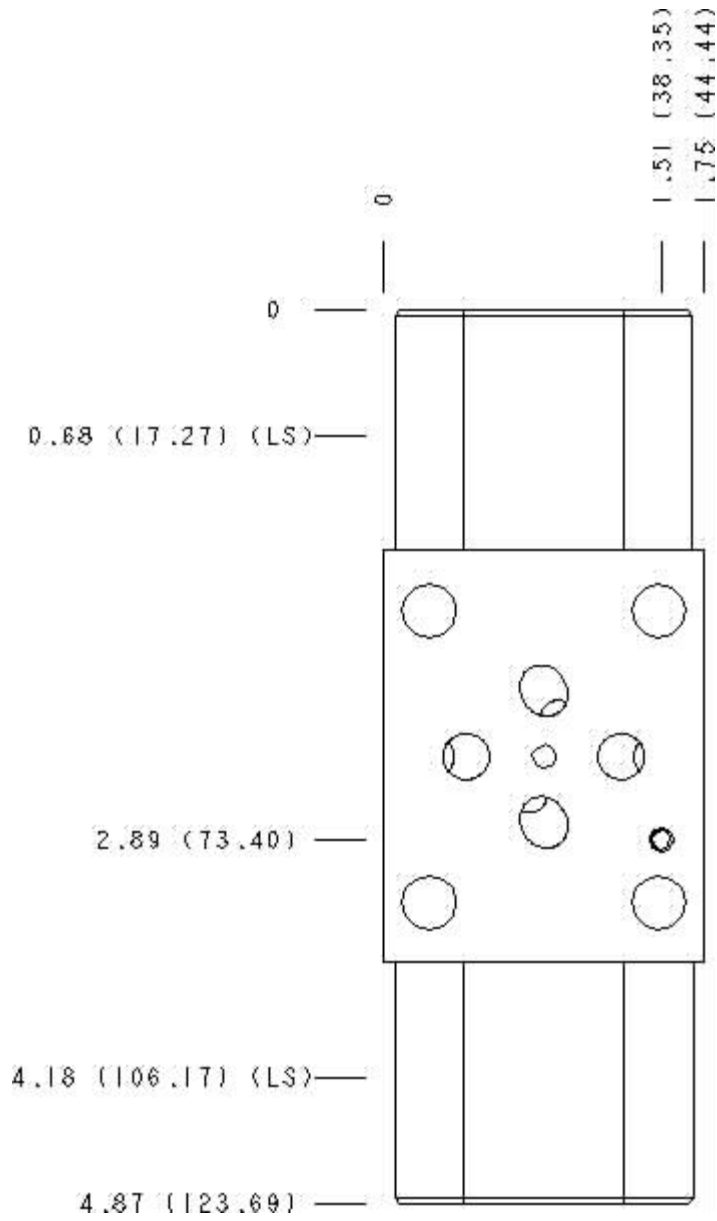
Cartridge extension measurement is to the centerline of the cartridge.



Functional Group:  
 Products : Manifolds : Sandwich : Counterbalance : ISO 03 : On A and B with  
 cross pilot

Model:  
 EBY

Face : 8



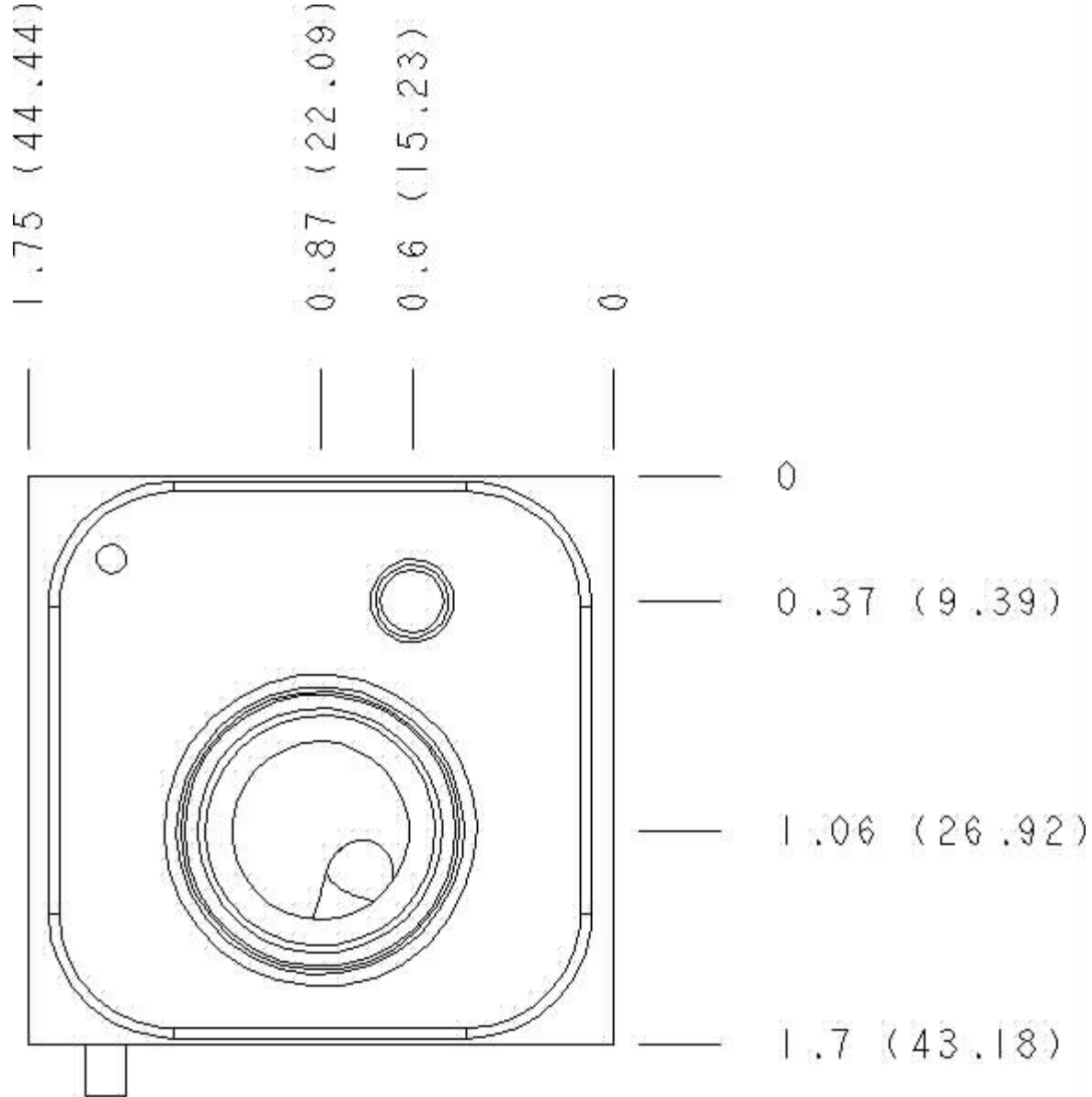
Cartridge extension measurement is to the centerline of the cartridge.



Functional Group:  
 Products : Manifolds : Sandwich : Counterbalance : ISO 03 : On A and B with  
 cross pilot

Model:  
 EBY

Face : 10



Cartridge extension measurement is to the centerline of the cartridge.



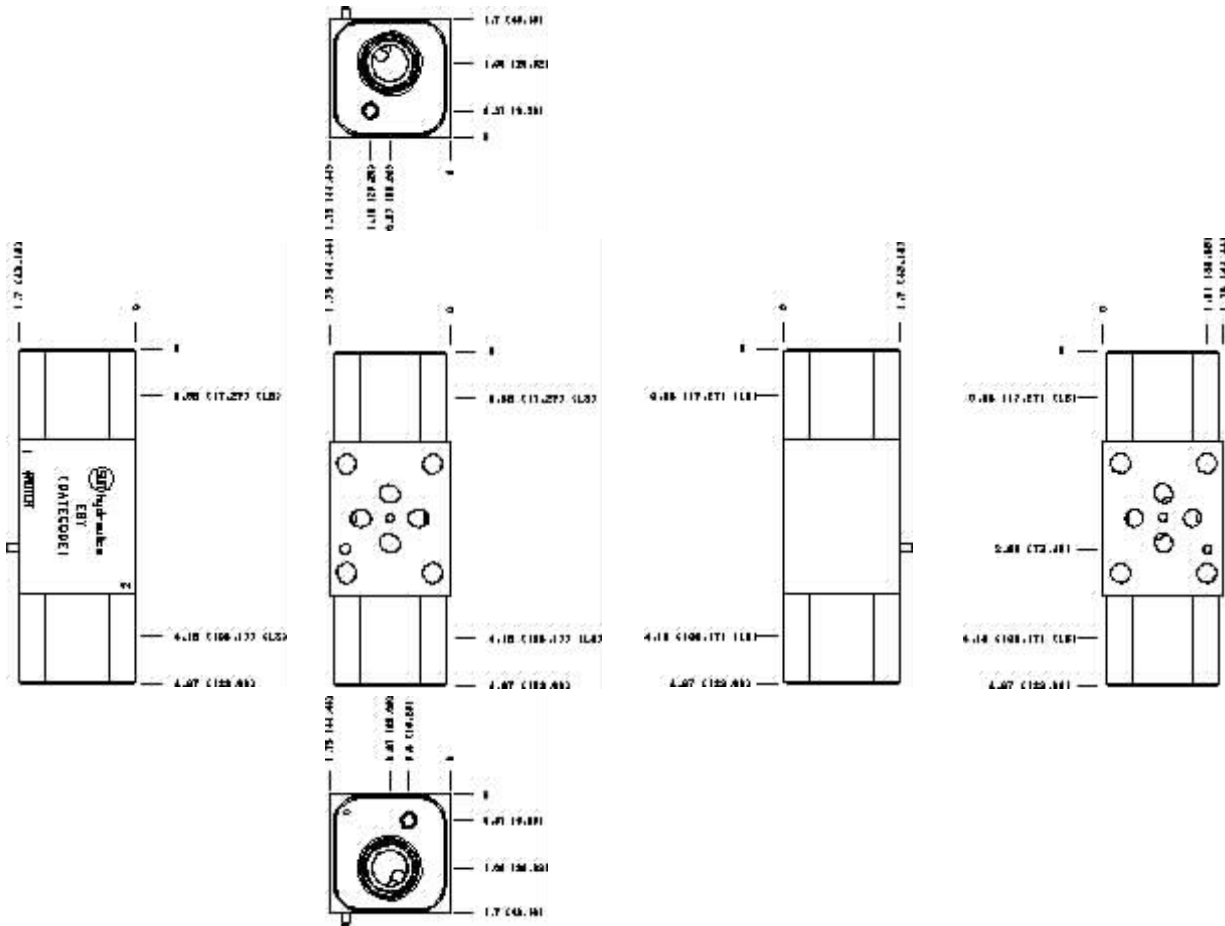
Functional Group:

Products : Manifolds : Sandwich : Counterbalance : ISO  
 03 : On A and B with cross pilot

Model:  
 EBY

Projection Type 

All Dimensions in Inches(mm)



Copyright © 2007-2008 Sun Hydraulics Corporation.  
All rights reserved.

[Terms and Conditions](#) - [Statement of Privacy](#)