

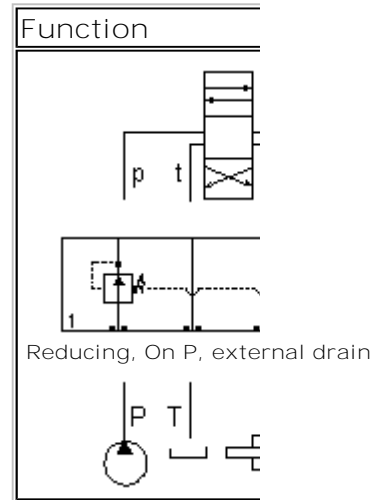
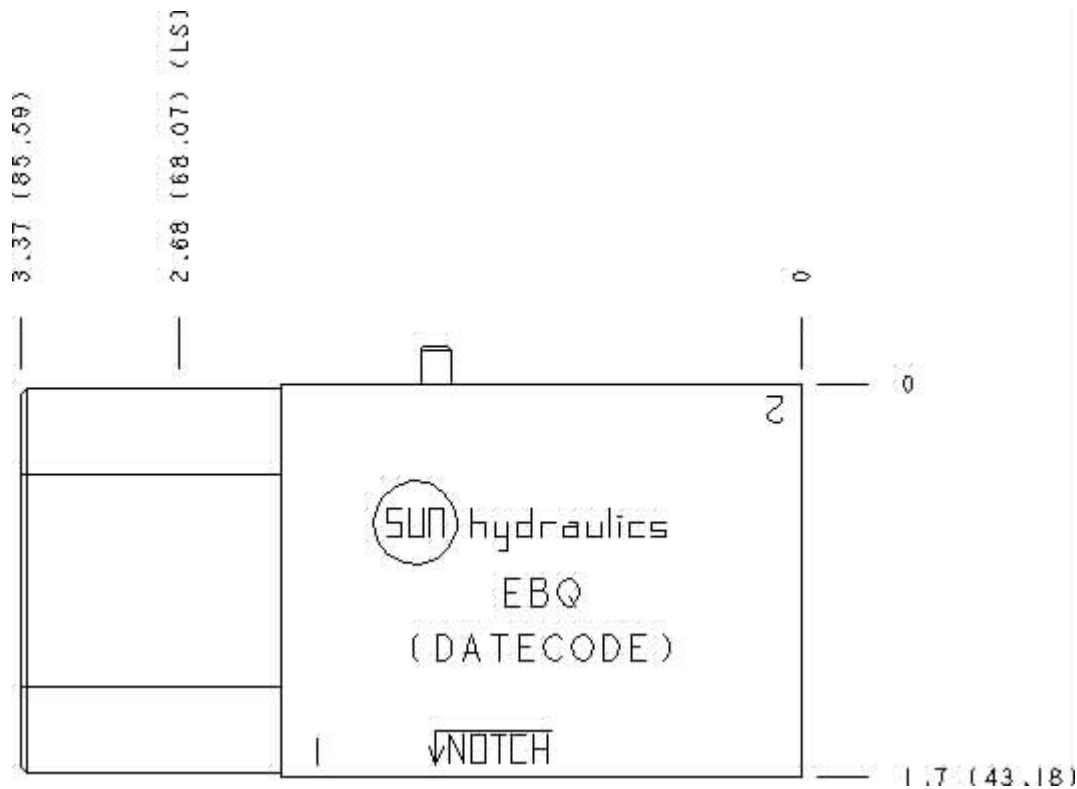
Functional Group:

Products : Manifolds : Sandwich : Reducing : ISO 03 : On P, external drain

Model:

EBQ

Face : 8



Cartridge extension measurement is to the centerline of the cartridge.

Aluminum Body Pressure Rating: **3000 psi (210 bar)**

Ductile Iron Body Pressure Rating: **5000 psi (350 bar)**

Port Headings and Sizes:

Drain Port

1/4" BSPP

Drain Port

SAE 6

Technical Data

	U.S. Units	Metric Units
Model Weight	0.77 lb.	0.35 kg.
Cavity	T-11A	
Body Features	On P, port 3 external	
Body Type	Sandwich	
Interface	ISO 03	
Open Cavity Quantity	1	

Option Selection:

Model Code	Description
EBQ	Aluminum, Buna-N, U.S. Units
EBQ/M	Aluminum, Buna-N, Metric
EBQ/S	Ductile Iron, Buna-N, U.S. Units
EBQ/T	Ductile Iron, Buna-N, Metric
EBQ/V	Aluminum, Viton, U.S. Units
EBQ/W	Ductile Iron, Viton, Metric
EBQ/Y	Ductile Iron, Viton, U.S. Units
EBQ/Z	Aluminum, Viton, Metric

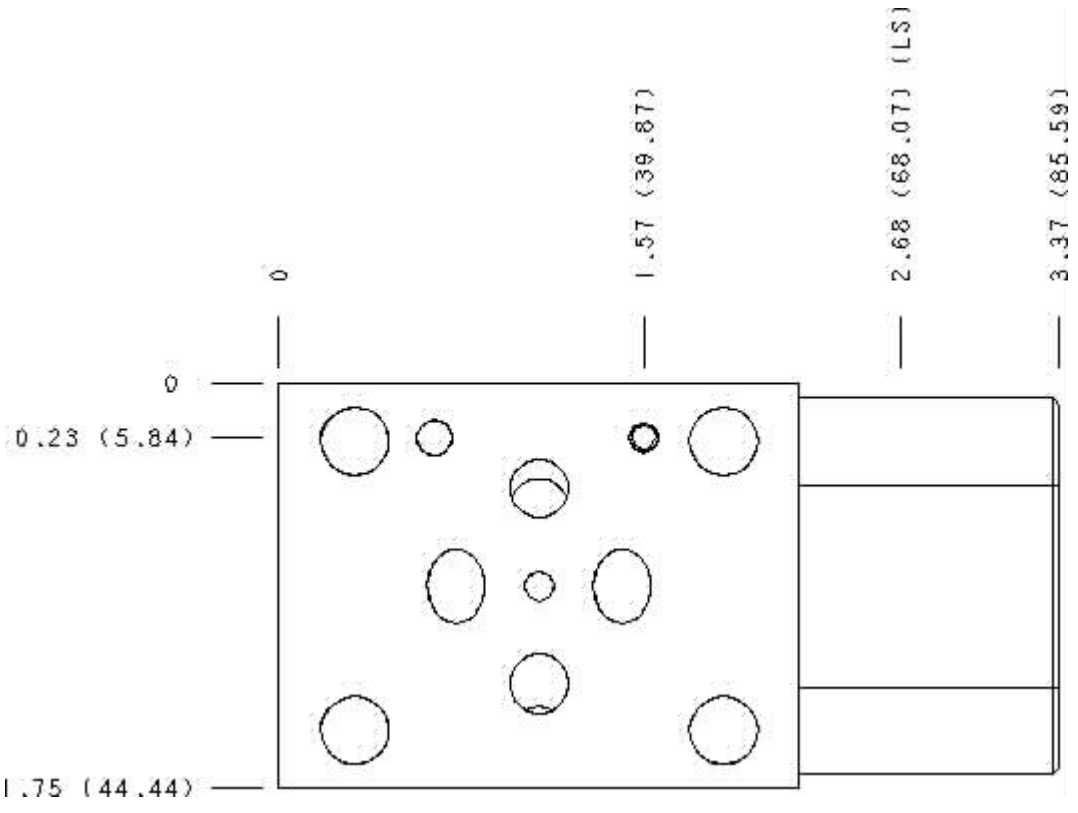
Special Notes :No Special Notes available for selected Model.



Functional Group:
Products : Manifolds : Sandwich : Reducing : ISO 03 : On P, external drain

Model:
EBQ

Face : 2



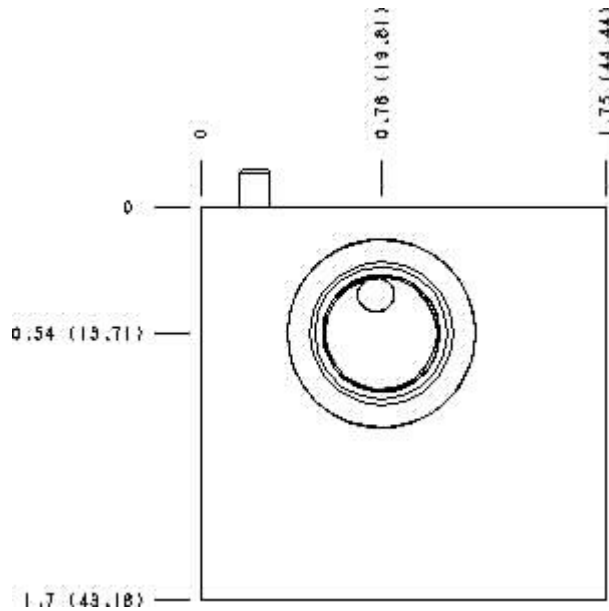
Cartridge extension measurement is to the centerline of the cartridge.



Functional Group:
 Products : Manifolds : Sandwich : Reducing : ISO 03 : On P, external drain

Model:
 EBQ

Face : 5

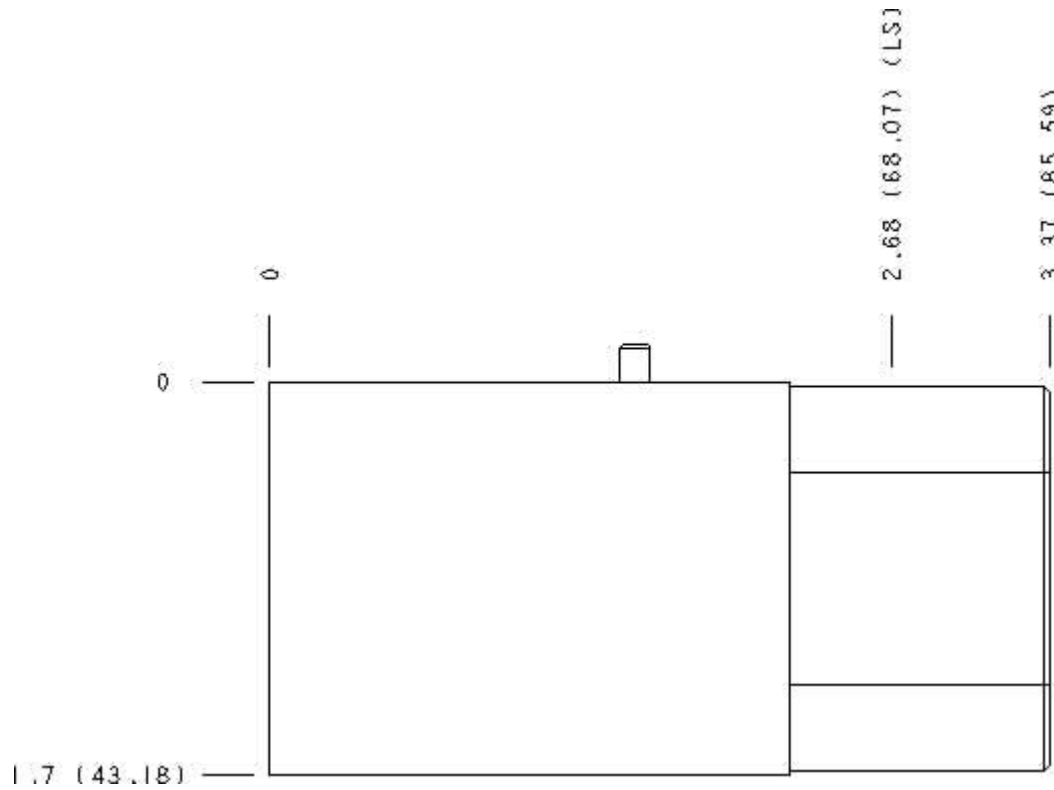


Cartridge extension measurement is to the centerline of the cartridge.

Functional Group:
Products : Manifolds : Sandwich : Reducing : ISO 03 : On P, external drain

Model:
EBQ

Face : 6

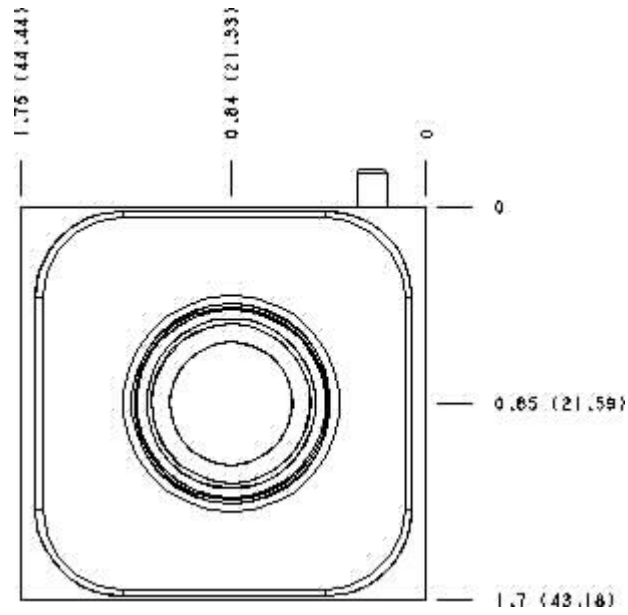


Cartridge extension measurement is to the centerline of the cartridge.

Functional Group:
Products : Manifolds : Sandwich : Reducing : ISO 03 : On P, external drain

Model:
EBQ

Face : 7



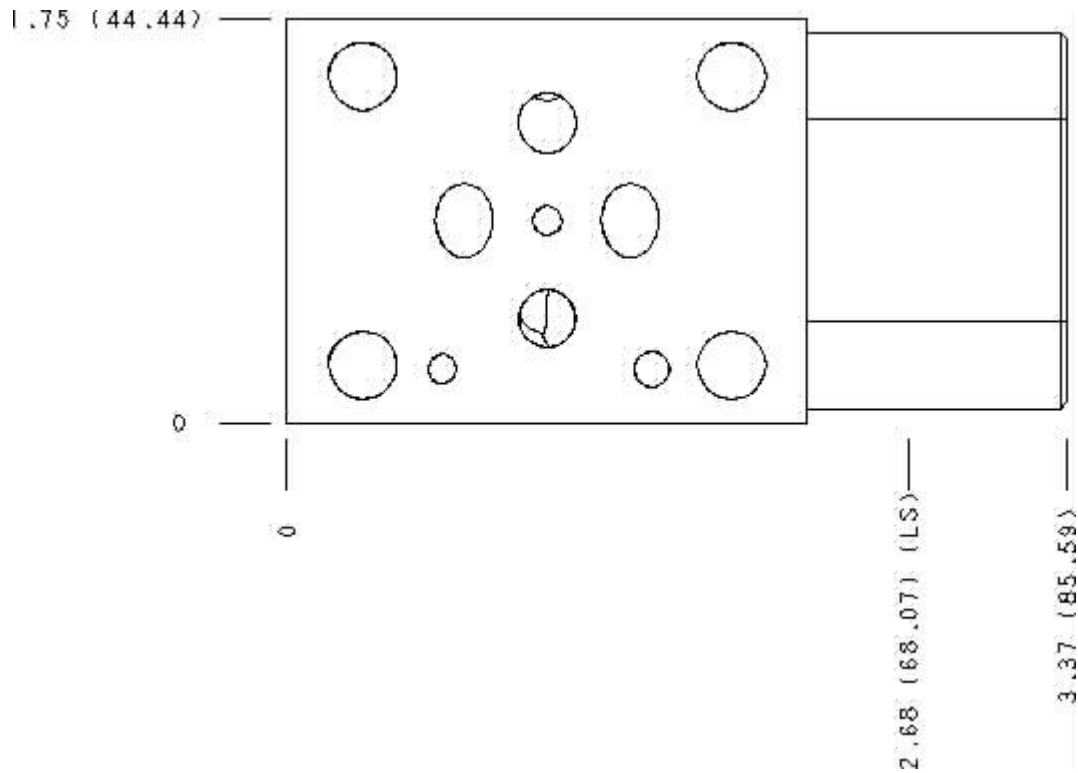
Cartridge extension measurement is to the centerline of the cartridge.



Functional Group:
 Products : Manifolds : Sandwich : Reducing : ISO 03 : On P, external drain

Model:
 EBQ

Face : 10



Cartridge extension measurement is to the centerline of the cartridge.

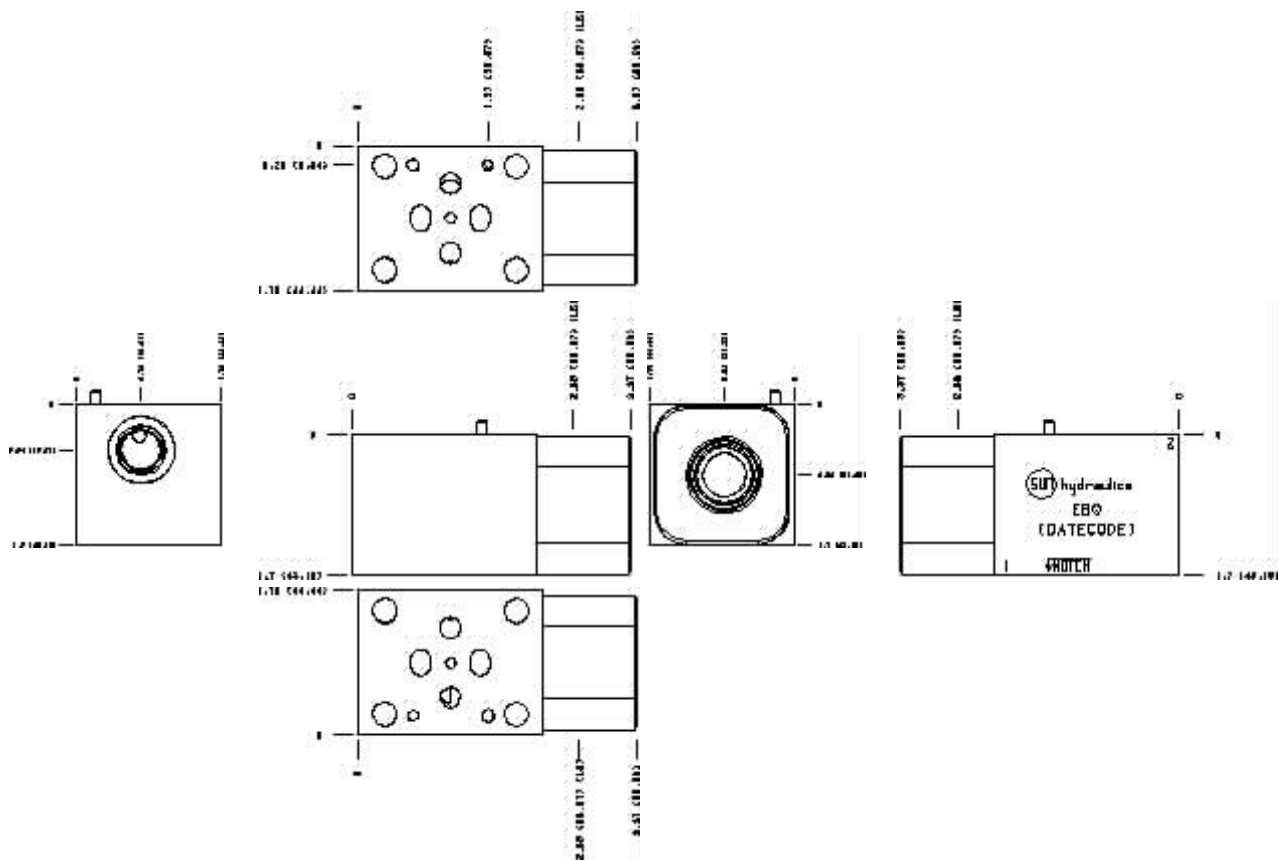
Functional Group:

Products : Manifolds : Sandwich : Reducing : ISO 03 :
On P, external drain

Model:
EBO

Projection Type 

All Dimensions in Inches(mm)



Copyright © 2007-2008 Sun Hydraulics Corporation.
All rights reserved.

[Terms and Conditions](#) - [Statement of Privacy](#)