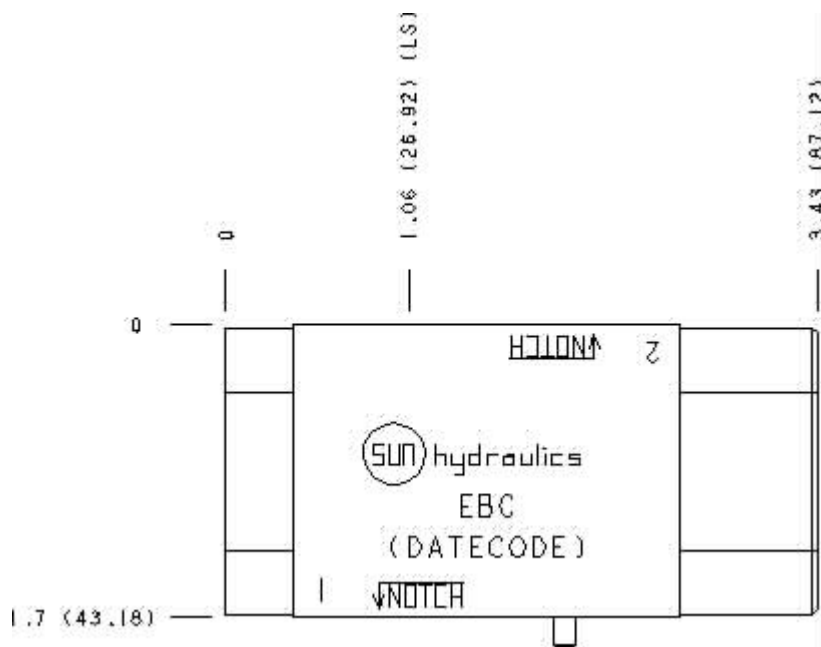


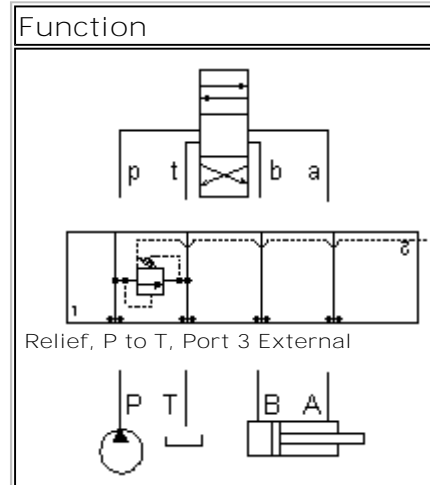
Functional Group:  
 Products : Manifolds : Sandwich : Relief : ISO 03 : P to T, port 3 external

Model:  
 EBC

Face : 10



Cartridge extension measurement is to the centerline of the cartridge.



Aluminum Body Pressure Rating: **3000 psi (210 bar)**  
 Ductile Iron Body Pressure Rating: **5000 psi (350 bar)**

Port Headings and Sizes:

Vent Port  
 1/4" BSPP

Vent Port  
 SAE 6

Technical Data

	U.S. Units	Metric Units
<b>Model Weight</b>	0.78 lb.	0.35 kg.
<b>Cavity</b>	T-11A	
<b>Body Features</b>	P to T, port 3 external	
<b>Body Type</b>	Sandwich	
<b>Interface</b>	ISO 03	
<b>Open Cavity Quantity</b>	1	
<b>Stack Height</b>	1.75 in.	44,5 mm

Option Selection:

Model Code	Description
EBC	Aluminum, Buna-N, U.S. Units
EBC/M	Aluminum, Buna-N, Metric
EBC/S	Ductile Iron, Buna-N, U.S. Units
EBC/T	Ductile Iron, Buna-N, Metric
EBC/V	Aluminum, Viton, U.S. Units
EBC/W	Ductile Iron, Viton, Metric
EBC/Y	Ductile Iron, Viton, U.S. Units
EBC/Z	Aluminum, Viton, Metric

---

Special Notes :

No Special Notes available for selected Model.

---

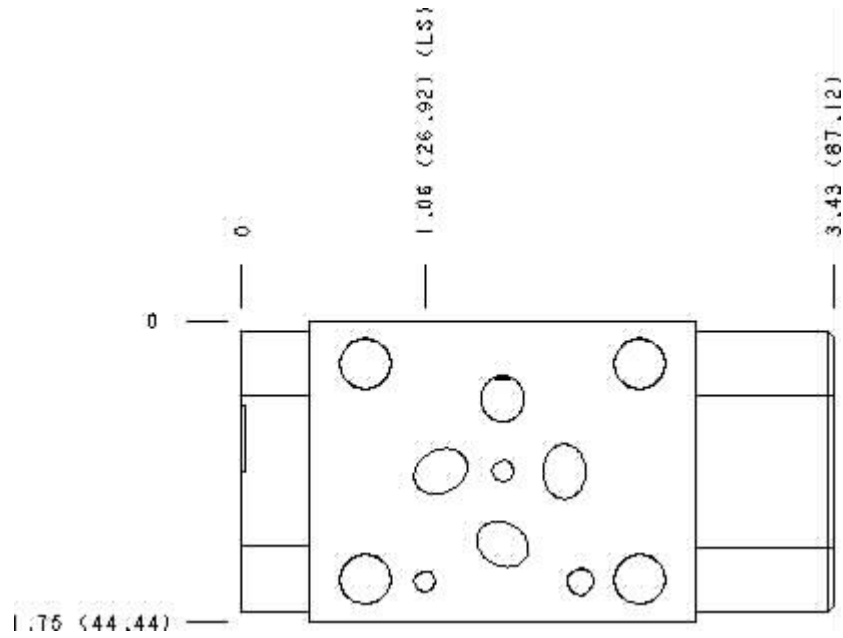


Functional Group:  
Products : Manifolds : Sandwich : Relief : ISO 03 : P to T, port 3 external

Model:  
EBC

Face : 6

---



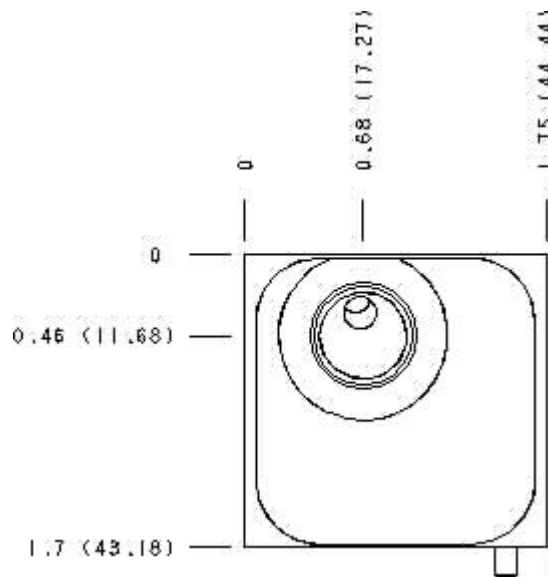
Cartridge extension measurement is to the centerline of the cartridge.



Functional Group:  
 Products : Manifolds : Sandwich : Relief : ISO 03 : P to T, port 3 external

Model:  
 EBC

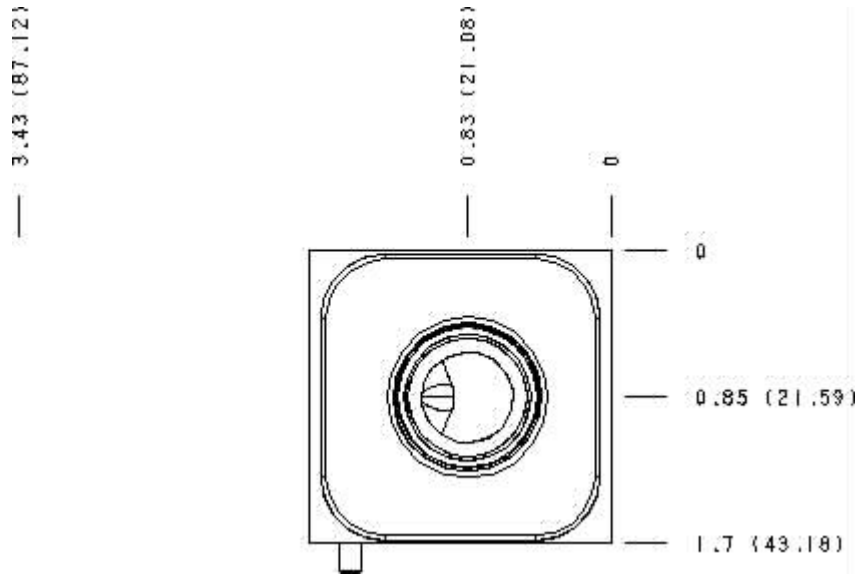
Face : 9



Cartridge extension measurement is to the centerline of the cartridge.



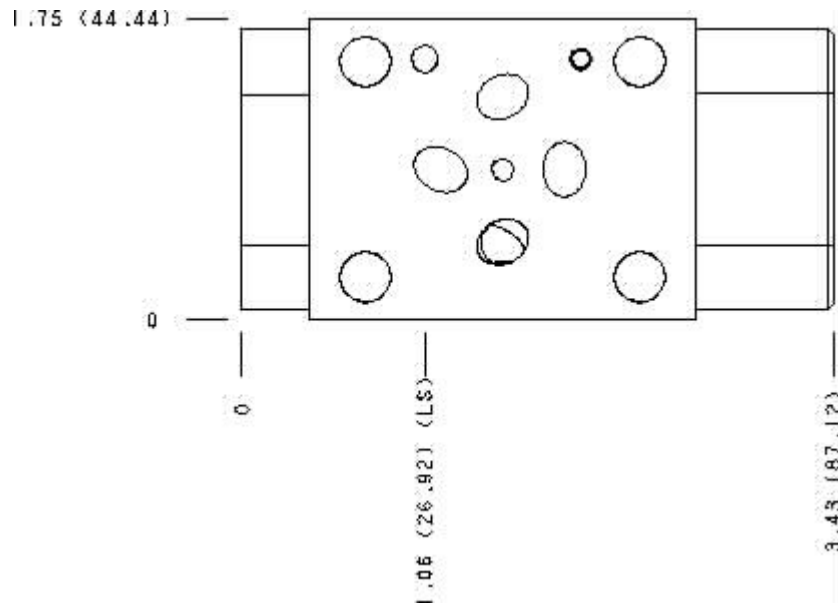
Face : 11



Cartridge extension measurement is to the centerline of the cartridge.



Face : 14



Cartridge extension measurement is to the centerline of the cartridge.

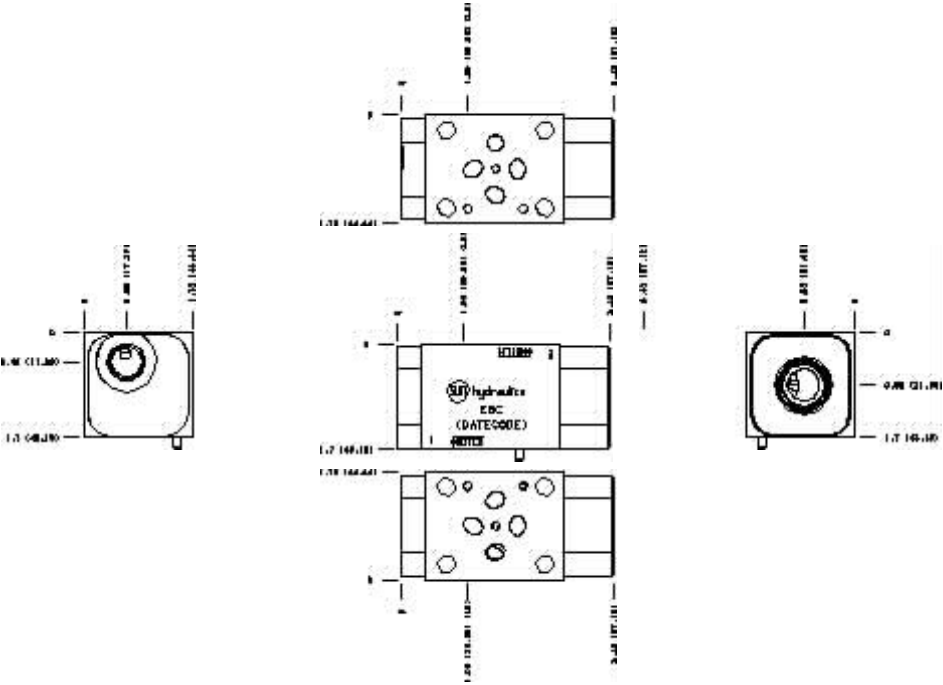
Functional Group:

Products : Manifolds : Sandwich : Relief : ISO 03 : P to T, port 3 external

Model:  
EBC

Projection Type 

All Dimensions in Inches(mm)



Copyright © 2007-2008 Sun Hydraulics Corporation.  
All rights reserved.

[Terms and Conditions](#) - [Statement of Privacy](#)