

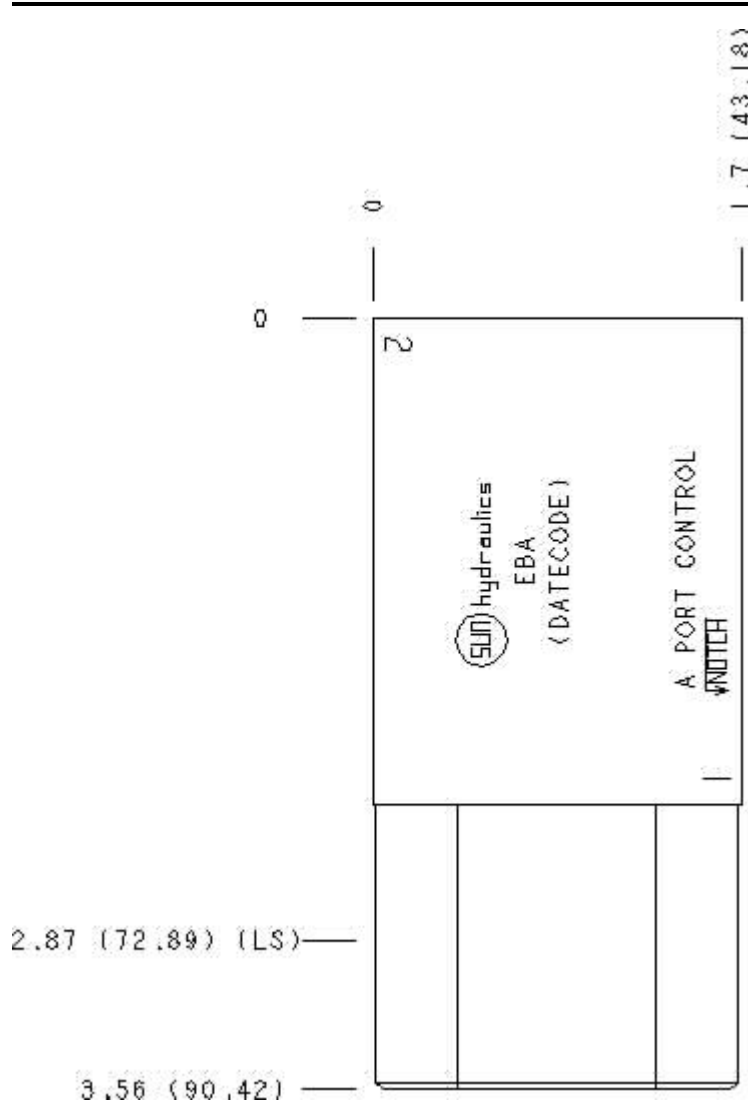
Functional Group:

Products : Manifolds : Sandwich : Counterbalance : ISO 03 : On A, port 3 to B

Model:

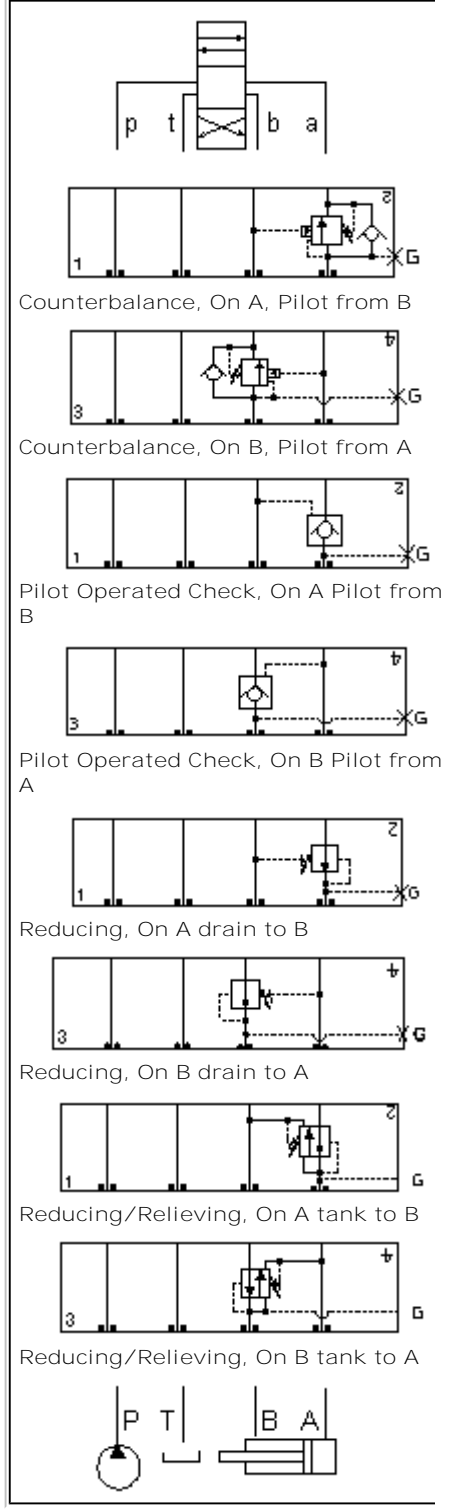
EBA

Face : 7



Cartridge extension measurement is to the centerline of the cartridge.

Function



Aluminum Body Pressure Rating: **3000 psi (210 bar)**

Ductile Iron Body Pressure Rating: 5000 psi (350 bar)

Port Headings and Sizes:

Gage Port (Plugged)
1/4" BSPP

Gage Port (Plugged)
1/4" NPTF

Technical Data

	U.S. Units	Metric Units
Model Weight	0.83 lb.	0.38 kg.
Cavity	T-11A	
Body Features	On A or B, port 3 to opposite side	
Body Type	Sandwich	
Interface	ISO 03	
Open Cavity Quantity	1	
Stack Height	1.75 in.	44,5 mm

Option Selection:

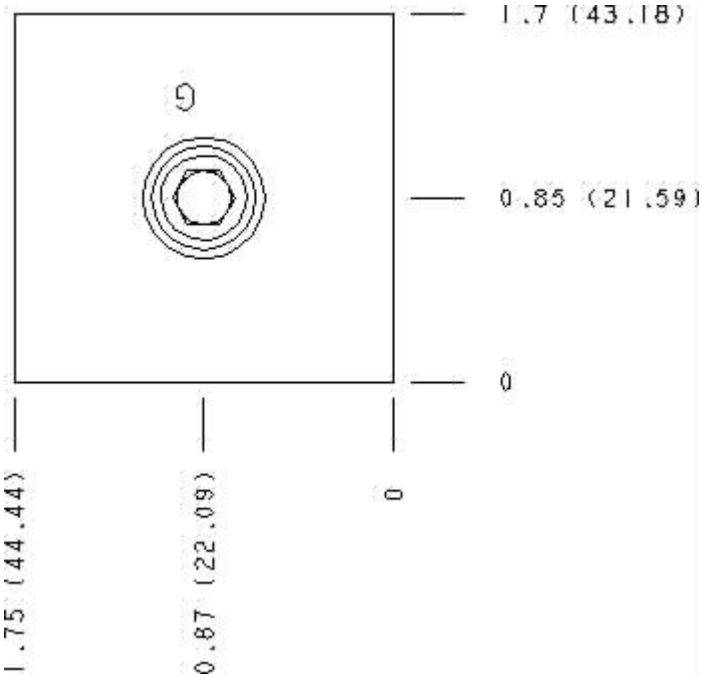
Model Code	Description
EBA	Aluminum, Buna-N, U.S. Units
EBA/M	Aluminum, Buna-N, Metric
EBA/S	Ductile Iron, Buna-N, U.S. Units
EBA/T	Ductile Iron, Buna-N, Metric
EBA/V	Aluminum, Viton, U.S. Units
EBA/W	Ductile Iron, Viton, Metric
EBA/Y	Ductile Iron, Viton, U.S. Units
EBA/Z	Aluminum, Viton, Metric

Special Notes :

No Special Notes available for selected Model.



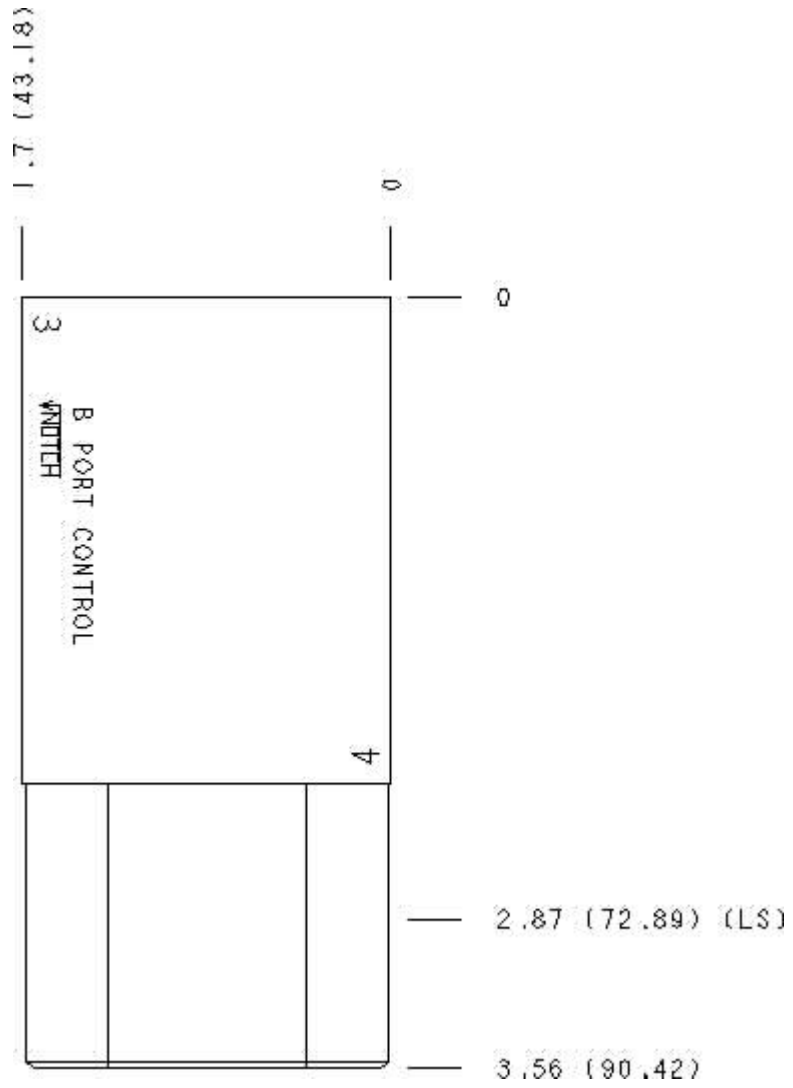
Face : 2



Cartridge extension measurement is to the centerline of the cartridge.



Face : 5



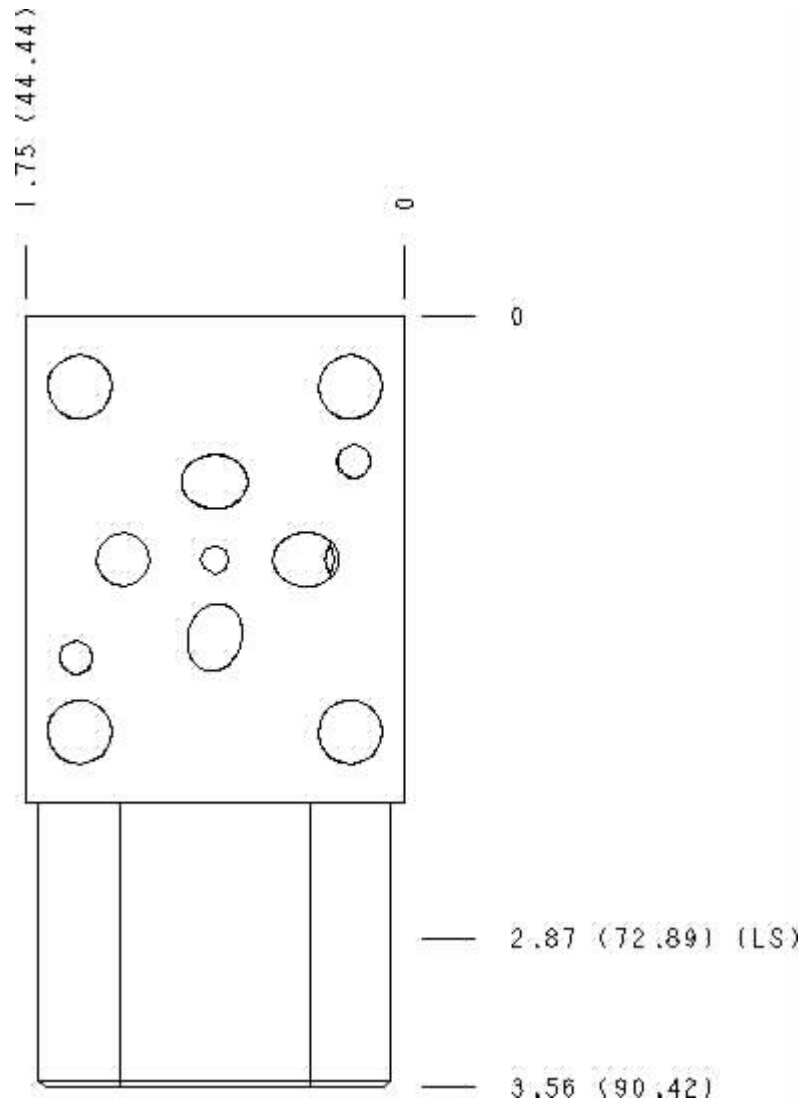
Cartridge extension measurement is to the centerline of the cartridge.



Functional Group:
 Products : Manifolds : Sandwich : Counterbalance : ISO 03 : On A, port 3 to B

Model:
 EBA

Face : 6



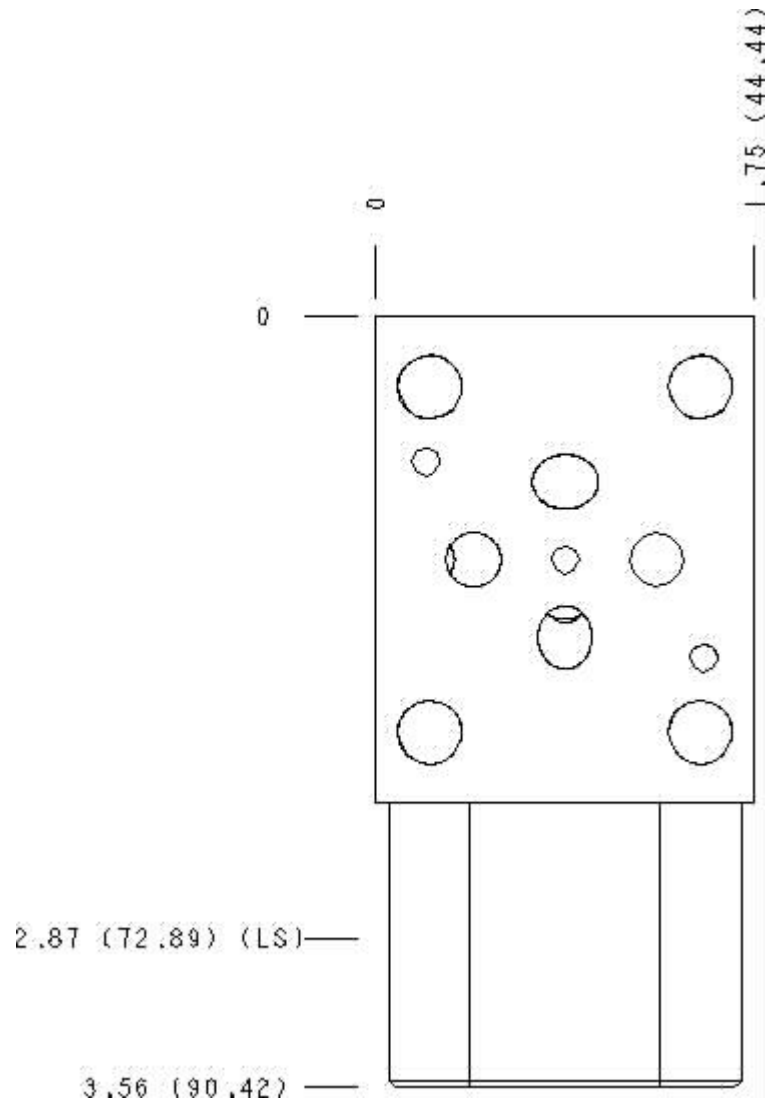
Cartridge extension measurement is to the centerline of the cartridge.



Functional Group:
 Products : Manifolds : Sandwich : Counterbalance : ISO 03 : On A, port 3 to B

Model:
 EBA

Face : 8



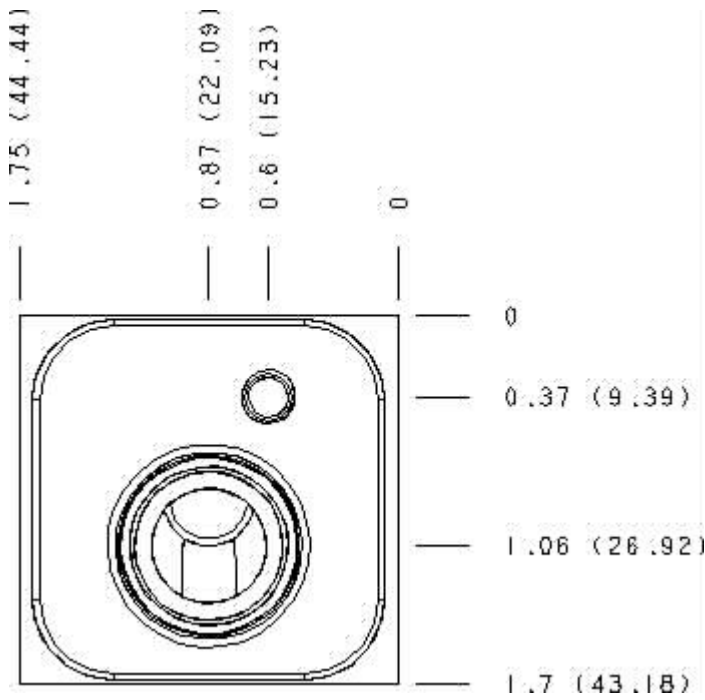
Cartridge extension measurement is to the centerline of the cartridge.



Functional Group:
 Products : Manifolds ; Sandwich ; Counterbalance ; ISO 03 ; On A, port 3 to B

Model:
 EBA

Face : 10



Cartridge extension measurement is to the centerline of the cartridge.



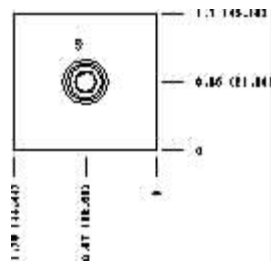
Functional Group:

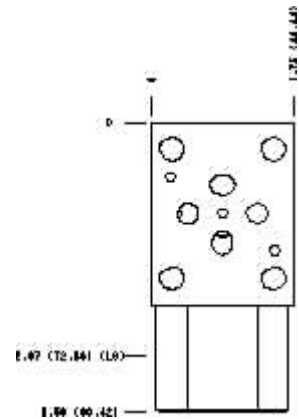
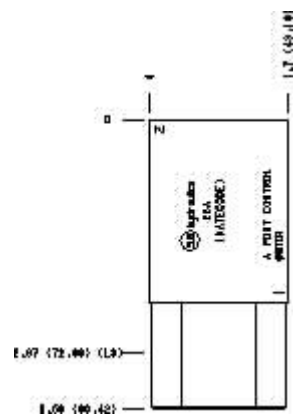
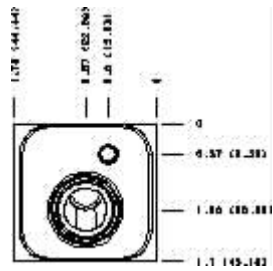
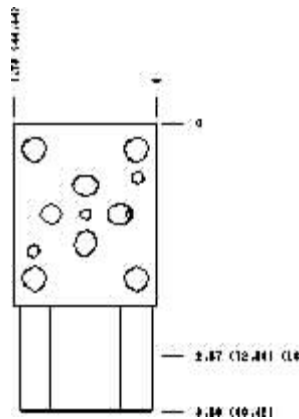
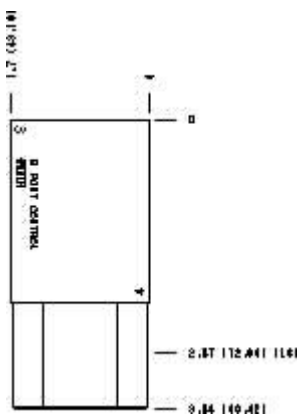
Products : Manifolds : Sandwich : Counterbalance : ISO
 03 : On A, port 3 to B

Model:
 EBA

Projection Type 

All Dimensions in Inches(mm)





Copyright © 2007-2008 Sun Hydraulics Corporation.
All rights reserved.

[Terms and Conditions](#) - [Statement of Privacy](#)