

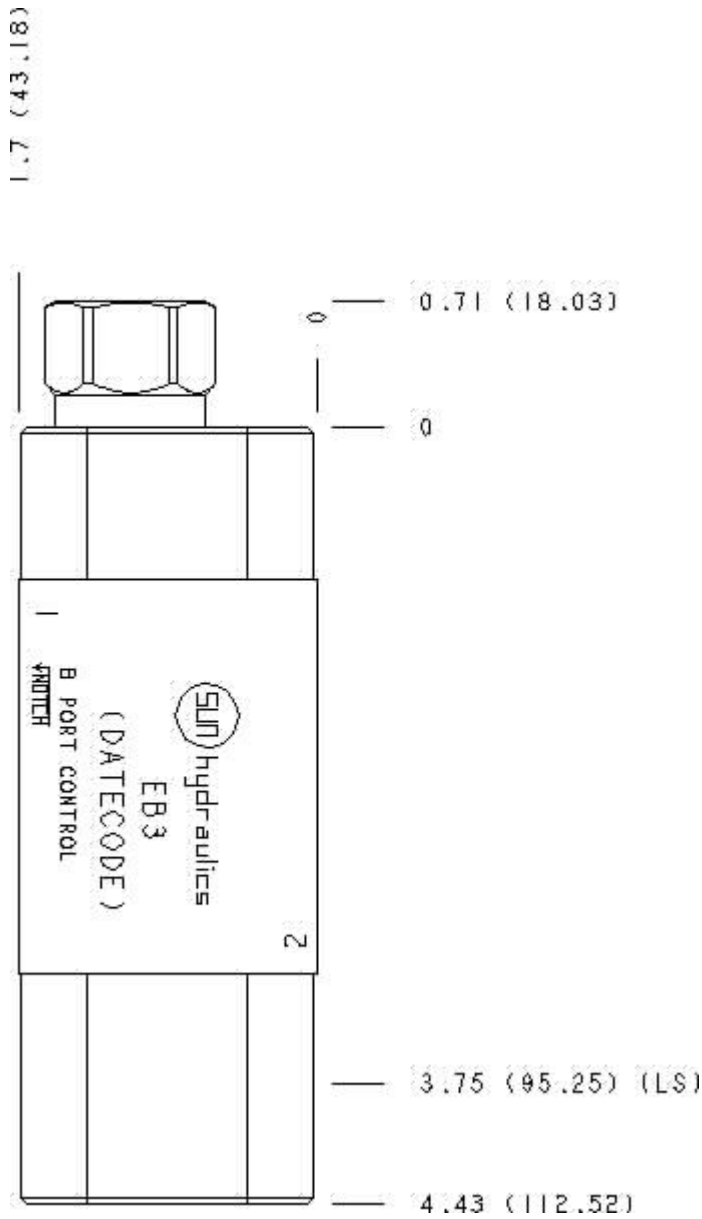
Functional Group:

Model:

Products : Manifolds : Sandwich : Reducing : ISO 03 : On B with reverse flow check

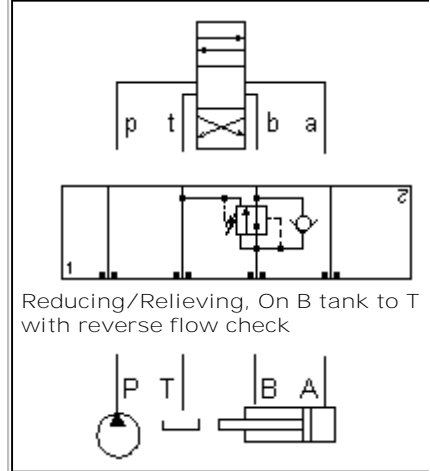
EB3

Face : 5



Cartridge extension measurement is to the centerline of the cartridge.

Function



Aluminum Body Pressure Rating: **3000 psi (210 bar)**
 Ductile Iron Body Pressure Rating: **5000 psi (350 bar)**

Technical Data

	U.S. Units	Metric Units
Model Weight	1.23 lb.	0.56 kg.
Cavity	T-11A	
Body Features	Reducer on B with reverse flow check	
Body Type	Sandwich	
Interface	ISO 03	
Open Cavity Quantity	1	
Stack Height	1.75 in.	44,5 mm

Option Selection:

Model Code	Description
EB3	Aluminum, Buna-N, U.S. Units
EB3/S	Ductile Iron, Buna-N, U.S. Units
EB3/V	Aluminum, Viton, U.S. Units
EB3/Y	Ductile Iron, Viton, U.S. Units

Special Notes :

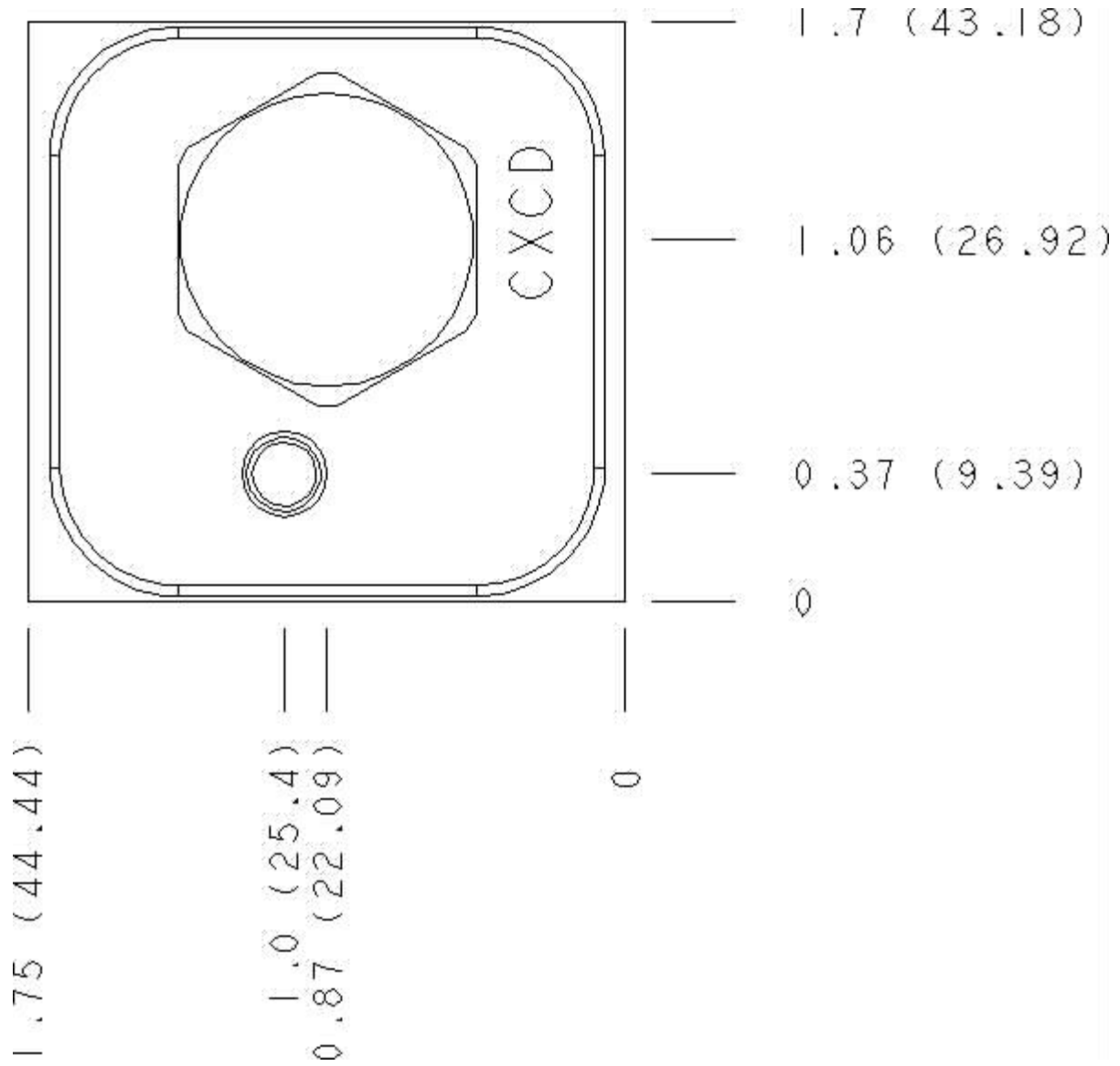
No Special Notes available for selected Model.



Functional Group:
Products : Manifolds : Sandwich : Reducing : ISO 03 : On B with reverse flow
check

Model:
EB3

Face : 2



Cartridge extension measurement is to the centerline of the cartridge.

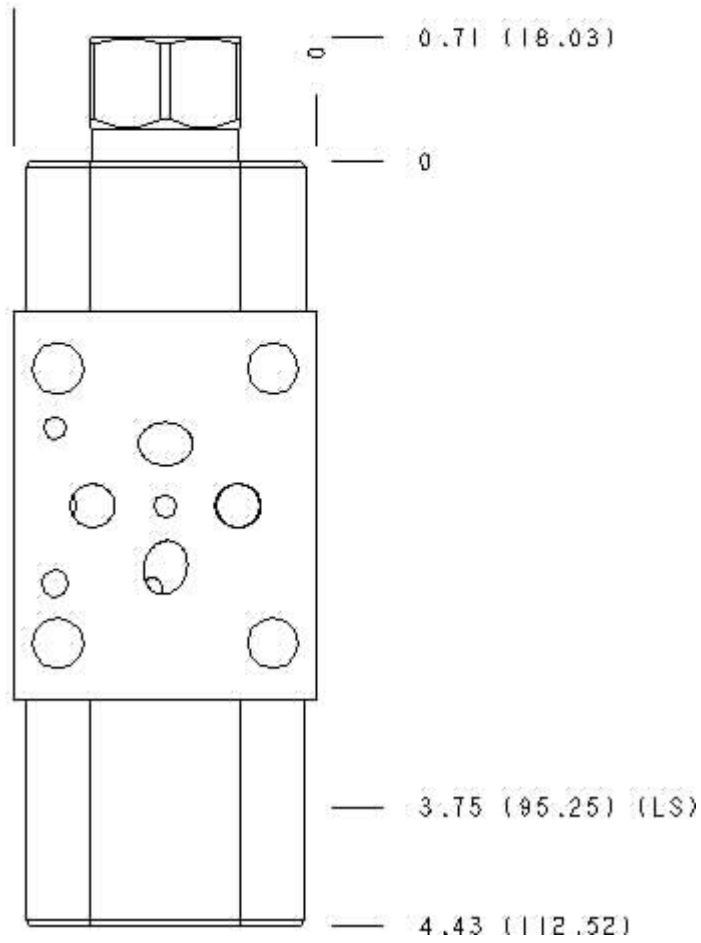


Functional Group:
 Products : Manifolds : Sandwich : Reducing : ISO 03 : On B with reverse flow
 check

Model:
 EB3

Face : 6

1.75 (44.44)



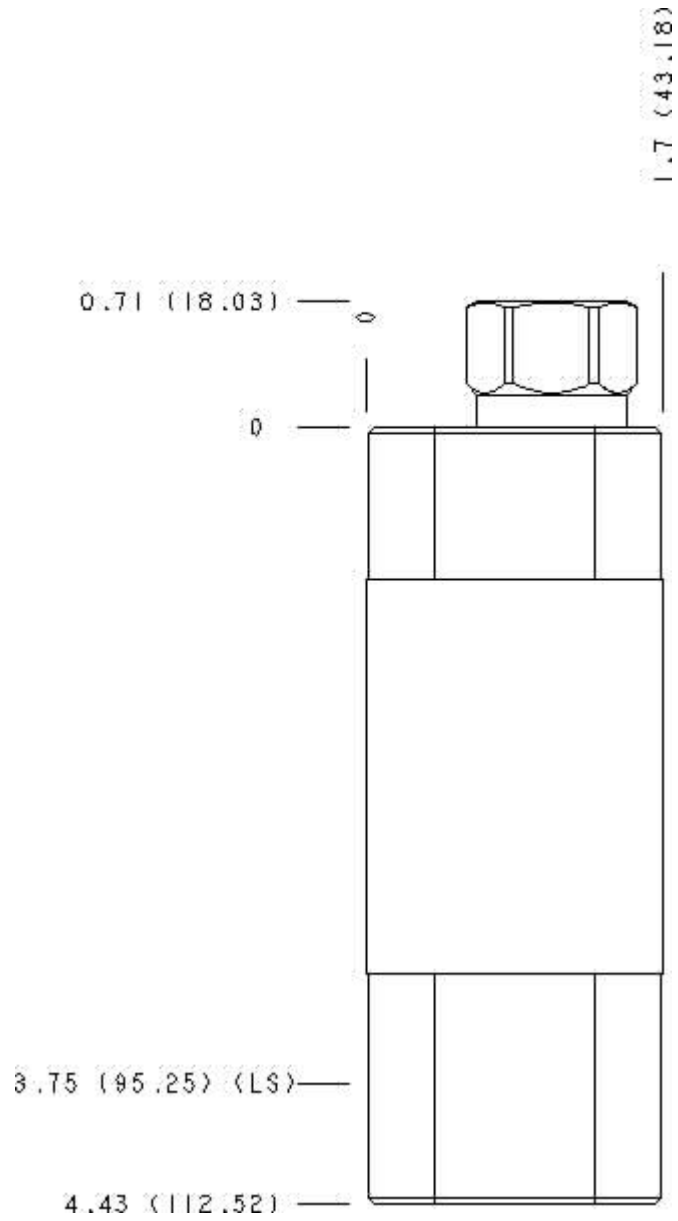
Cartridge extension measurement is to the centerline of the cartridge.



Functional Group:
Products : Manifolds : Sandwich : Reducing : ISO 03 : On B with reverse flow
check

Model:
EB3

Face : 7



Cartridge extension measurement is to the centerline of the cartridge.

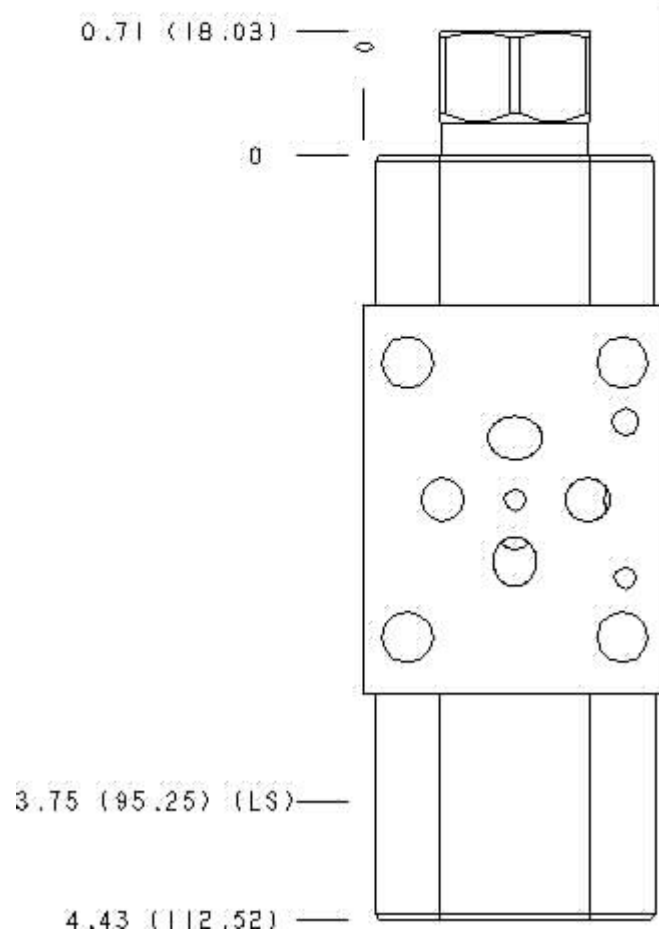


Functional Group:
 Products : Manifolds : Sandwich : Reducing : ISO 03 : On B with reverse flow
 check

Model:
 EB3

Face : 8

1.75 (44.44)



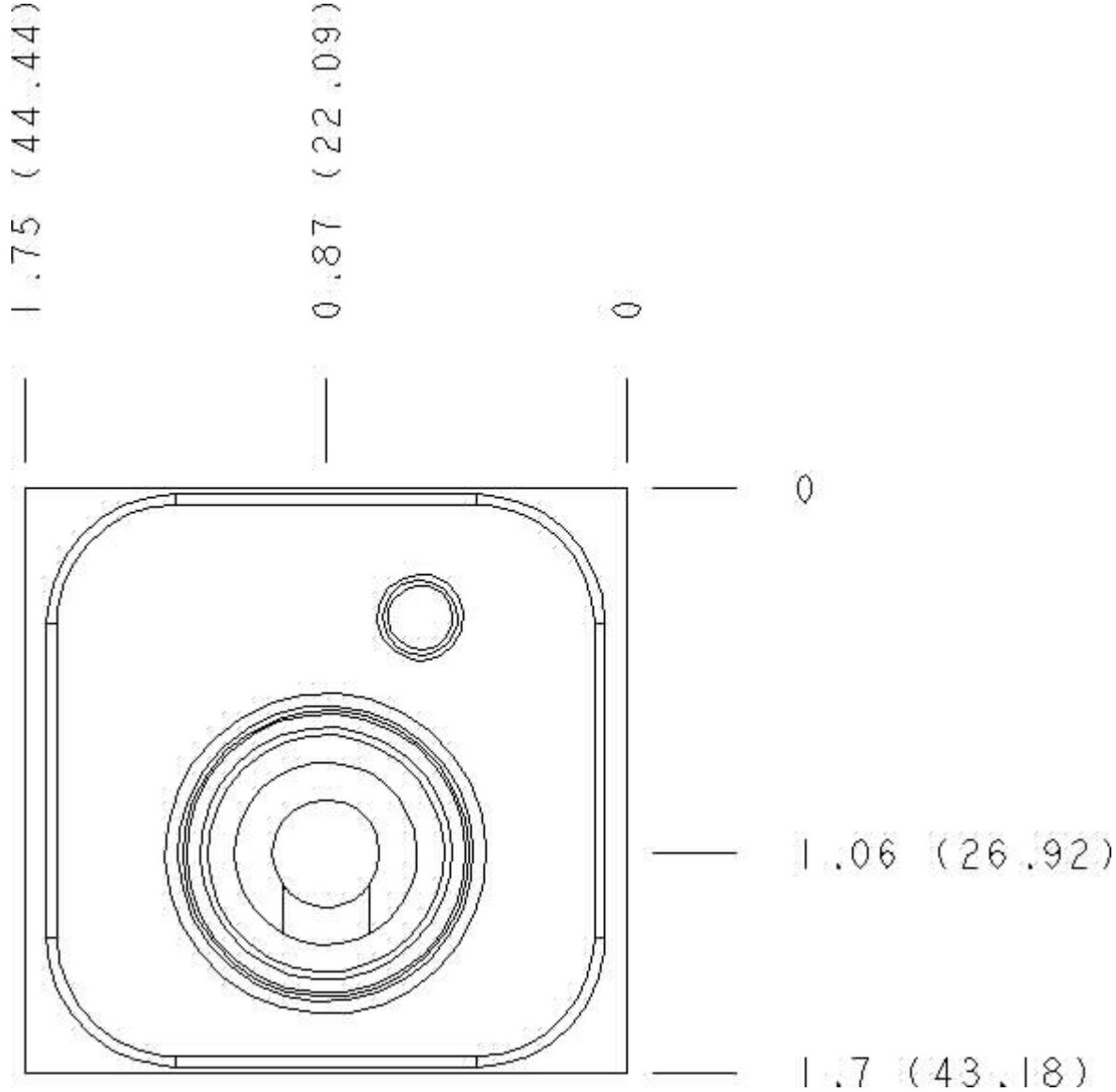
Cartridge extension measurement is to the centerline of the cartridge.



Functional Group:
Products : Manifolds : Sandwich : Reducing : ISO 03 : On B with reverse flow
check

Model:
EB3

Face : 10



Cartridge extension measurement is to the centerline of the cartridge.



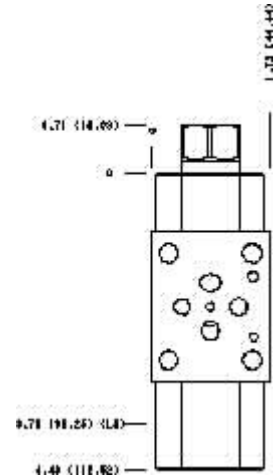
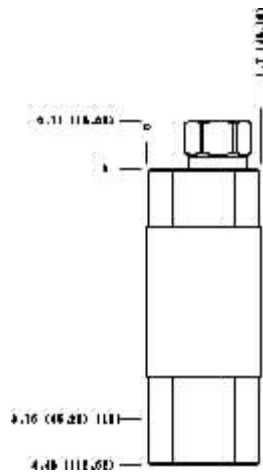
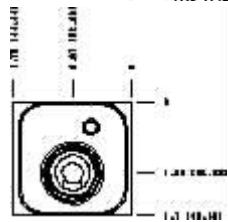
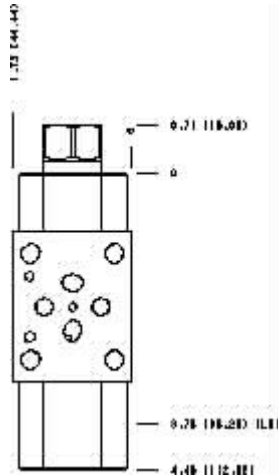
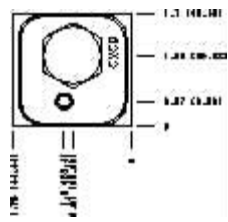
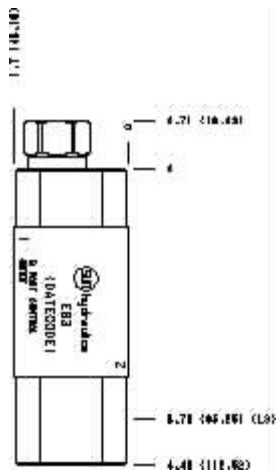
Functional Group:

Products : Manifolds : Sandwich : Reducing : ISO 03 :
On B with reverse flow check

Model:
EB3

Projection Type

All Dimensions in Inches(mm)



Copyright © 2007-2008 Sun Hydraulics Corporation.
All rights reserved.

[Terms and Conditions](#) - [Statement of Privacy](#)