

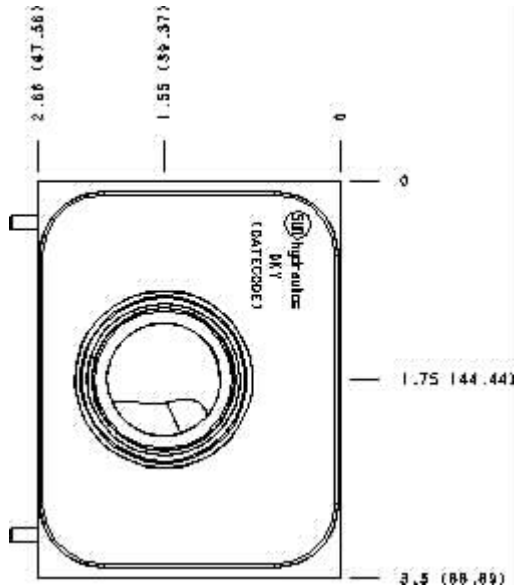
Functional Group:

Model:

Products : Manifolds : Sandwich : Check : ISO 07 : On A and B, free flow into valve

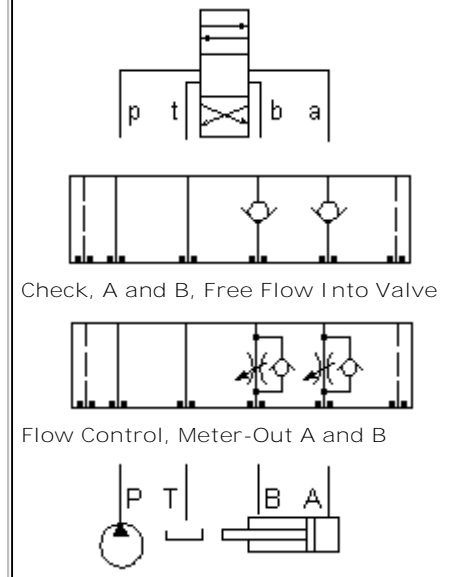
DKY

Face : 5



Cartridge extension measurement is to the centerline of the cartridge.

Function



Aluminum Body Pressure Rating: **3000 psi (210 bar)**

Ductile Iron Body Pressure Rating: **5000 psi (350 bar)**

Technical Data

	U.S. Units	Metric Units
Model Weight	5.03 lb.	2.28 kg.
Cavity	T-16A	
Body Features	Out of A and B	
Body Type	Sandwich	
Interface	ISO 07	
Open Cavity Quantity	2	
Stack Height	2.74 in.	70 mm

Option Selection:

Model Code

Description

DKY

Aluminum, Buna-N,
U.S. Units

DKY/S	Ductile Iron, Buna-N, U.S. Units
DKY/V	Aluminum, Viton, U.S. Units
DKY/Y	Ductile Iron, Viton, U.S. Units

Special Notes :

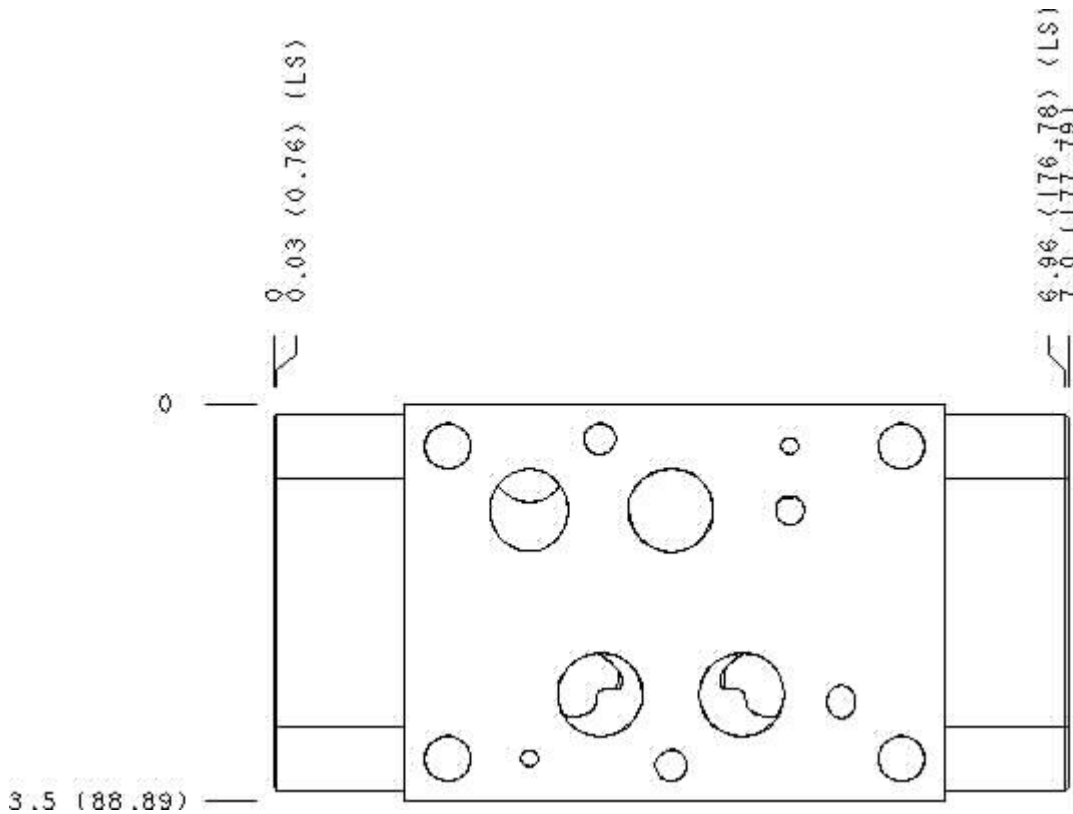
- 1 For check valve application, use only with CX*A check valves - free flow nose to side.



Functional Group:
 Products : Manifolds : Sandwich : Check : ISO 07 : On A and B, free flow into
 valve

Model:
 DKY

Face : 6



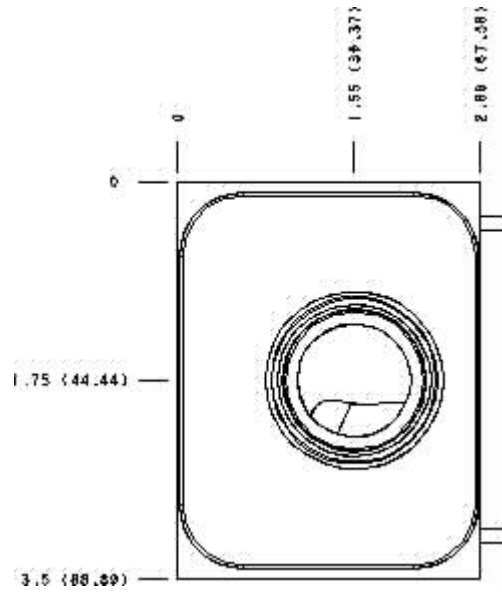
Cartridge extension measurement is to the centerline of the cartridge.



Functional Group:
Products : Manifolds : Sandwich : Check : ISO 07 : On A and B, free flow into valve

Model:
DKY

Face : 7



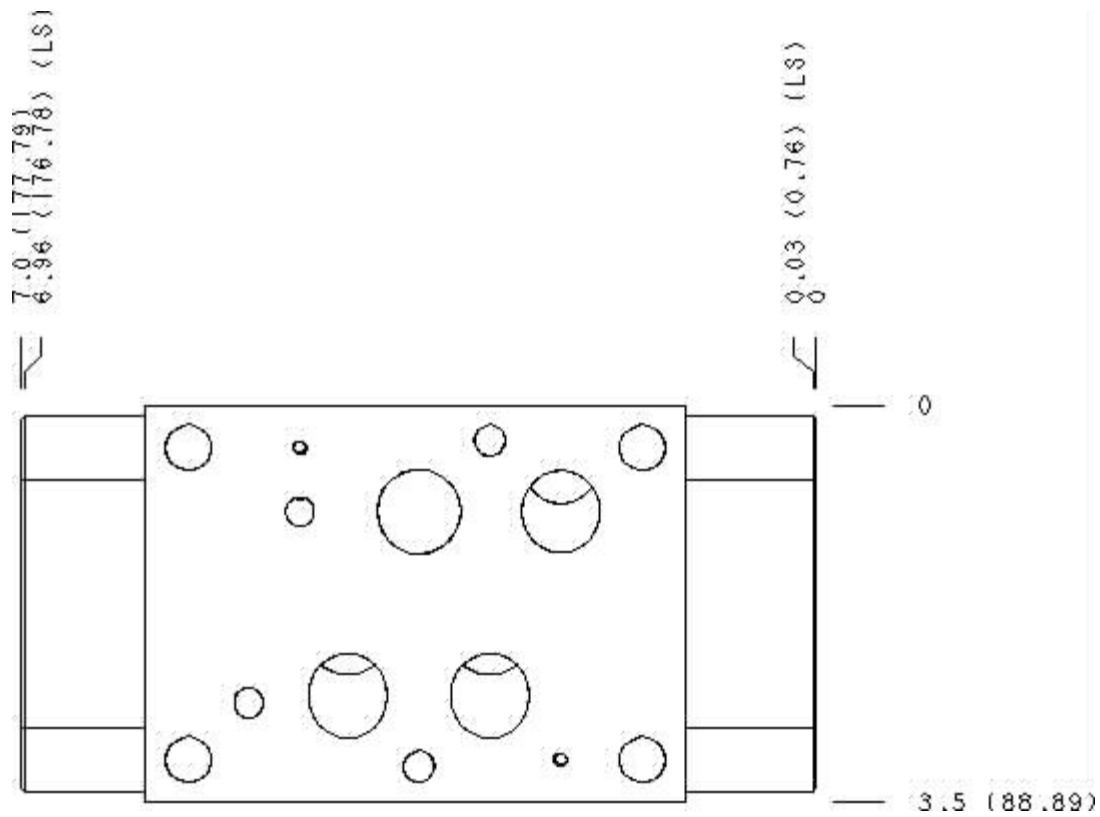
Cartridge extension measurement is to the centerline of the cartridge.



Functional Group:
Products : Manifolds : Sandwich : Check : ISO 07 : On A and B, free flow into valve

Model:
DKY

Face : 8



Cartridge extension measurement is to the centerline of the cartridge.



Functional Group:

Products : Manifolds : Sandwich : Check : ISO 07 : On A and B, free flow into valve

Model:
DKY

Projection Type

All Dimensions in Inches(mm)

