

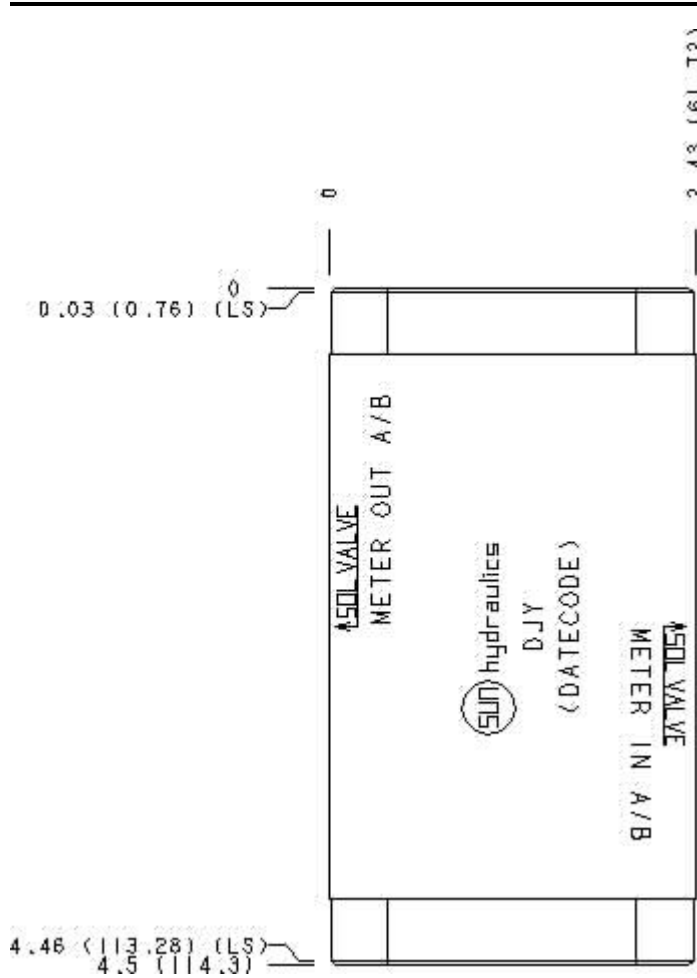
Functional Group:

Model:

Products : Manifolds : Sandwich : Flow Control : ISO 05 X and Y : Meter in on A and B

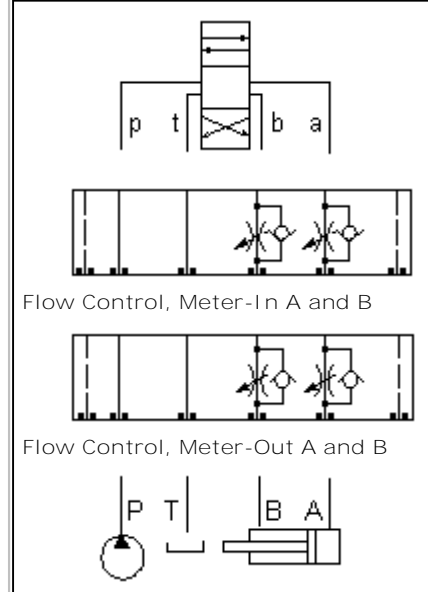
DJY

Face : 7



Cartridge extension measurement is to the centerline of the cartridge.

Function



Flow Control, Meter-In A and B

Flow Control, Meter-Out A and B

Aluminum Body Pressure Rating: **3000 psi (210 bar)**

Ductile Iron Body Pressure Rating: **5000 psi (350 bar)**

Technical Data

	U.S. Units	Metric Units
Model Weight	2.14 lb.	0.97 kg.
Cavity	T-5A	
Body Features	Flow into workports A and B or out of A and B	
Body Type	Sandwich	
Interface	ISO 05 - X&Y	
Open Cavity Quantity	2	

Option Selection:

Model Code	Description
DJY	Aluminum, Buna-N, U.S. Units
DJY/S	Ductile Iron, Buna-N, U.S. Units

Special Notes :

No Special Notes available for selected Model.

Related Information :

- [The retainer and seal kit used with this ISO 05 X and Y sandwich determines which pattern, either European or US, is active. It must be ordered separately. Click here for more information.](#)

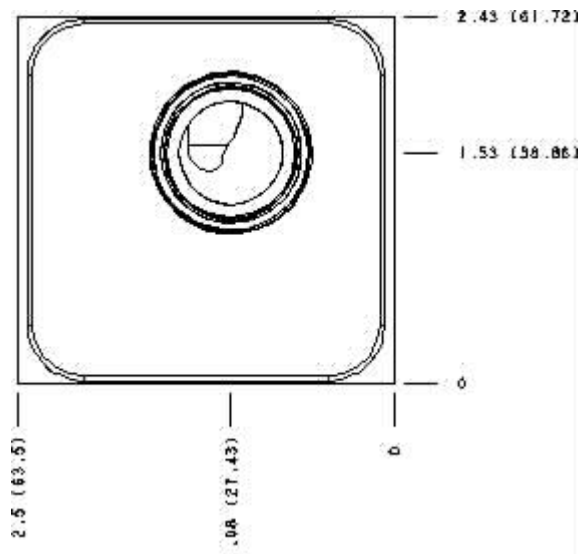


Functional Group:

Products : Manifolds : Sandwich : Flow Control : ISO 05 X and Y : Meter in on
A and B

Model:
DJY

Face : 2

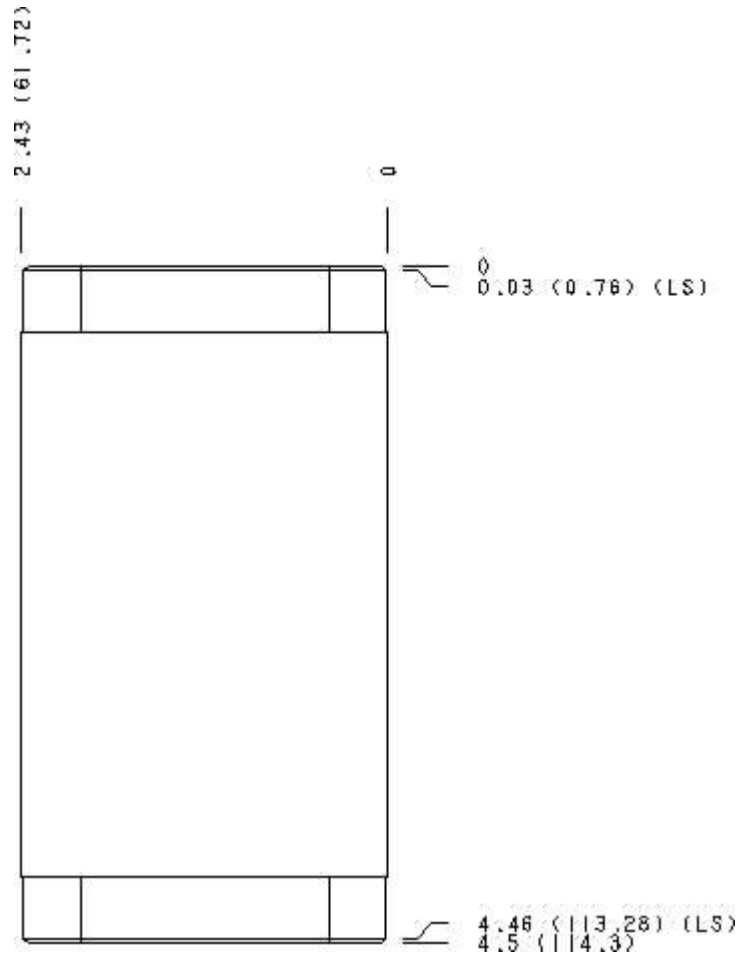


Cartridge extension measurement is to the centerline of the cartridge.

Functional Group:
Products : Manifolds : Sandwich : Flow Control : ISO 05 X and Y : Meter in on
A and B

Model:
DJY

Face : 5

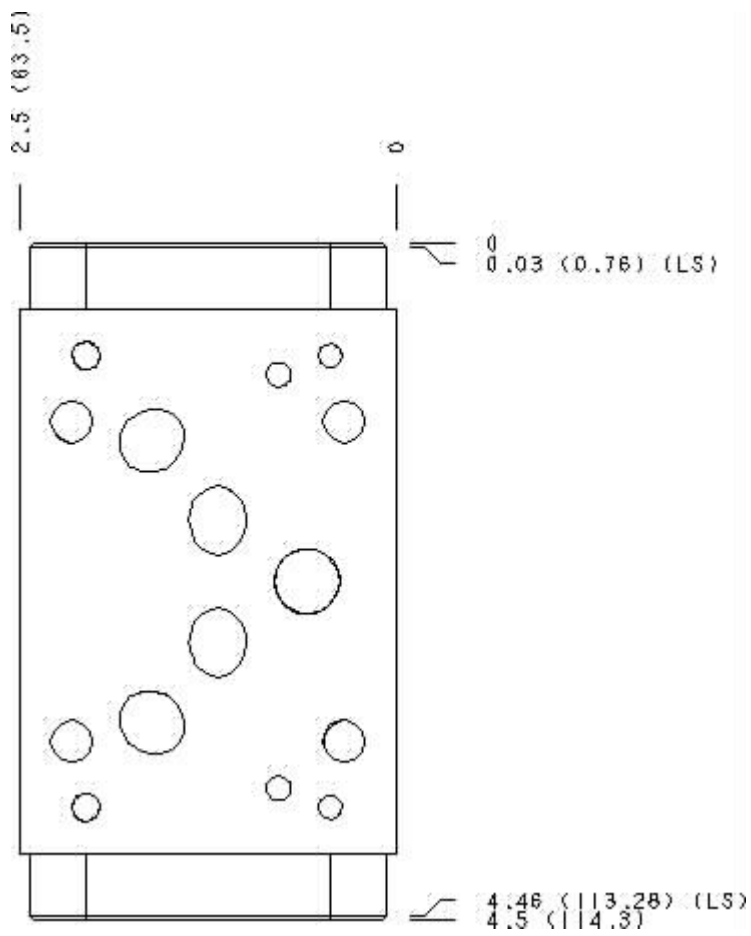


Cartridge extension measurement is to the centerline of the cartridge.

Functional Group:
Products : Manifolds : Sandwich : Flow Control : ISO 05 X and Y : Meter in on
A and B

Model:
DJY

Face : 6



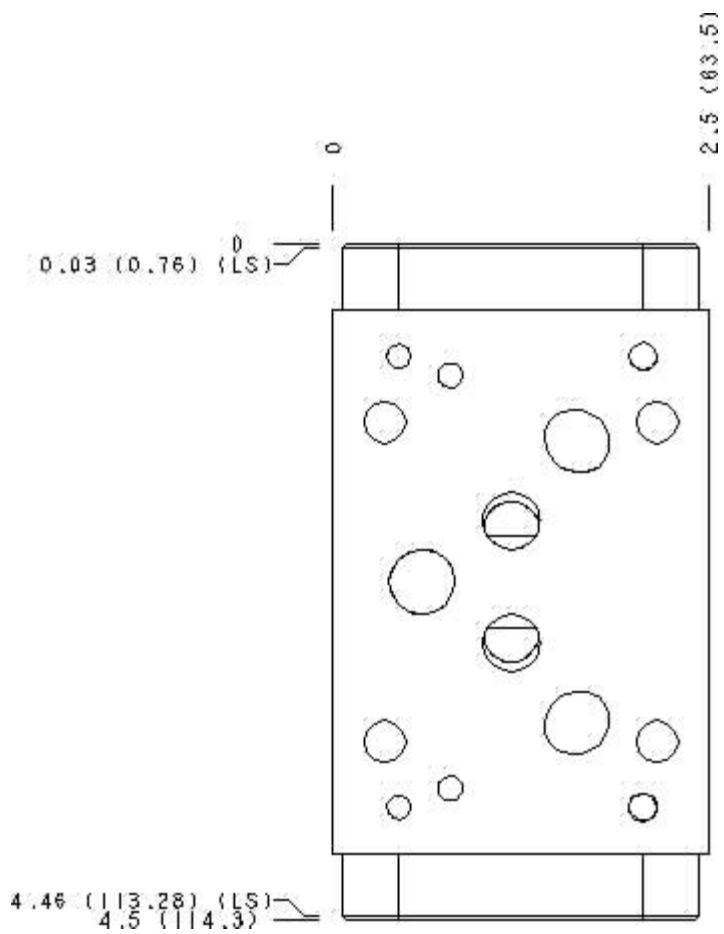
Cartridge extension measurement is to the centerline of the cartridge.



Functional Group:
 Products : Manifolds : Sandwich : Flow Control : ISO 05 X and Y : Meter in on
 A and B

Model:
 DJY

Face : 8



Cartridge extension measurement is to the centerline of the cartridge.



Functional Group:
 Products : Manifolds : Sandwich : Flow Control : ISO 05 X and Y : Meter in on
 A and B

Model:
 DJY

Face : 10

Copyright © 2007-2008 Sun Hydraulics Corporation.
All rights reserved.

[Terms and Conditions](#) - [Statement of Privacy](#)