

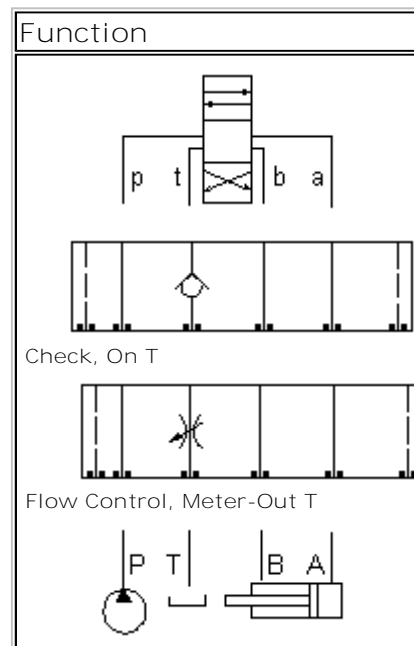
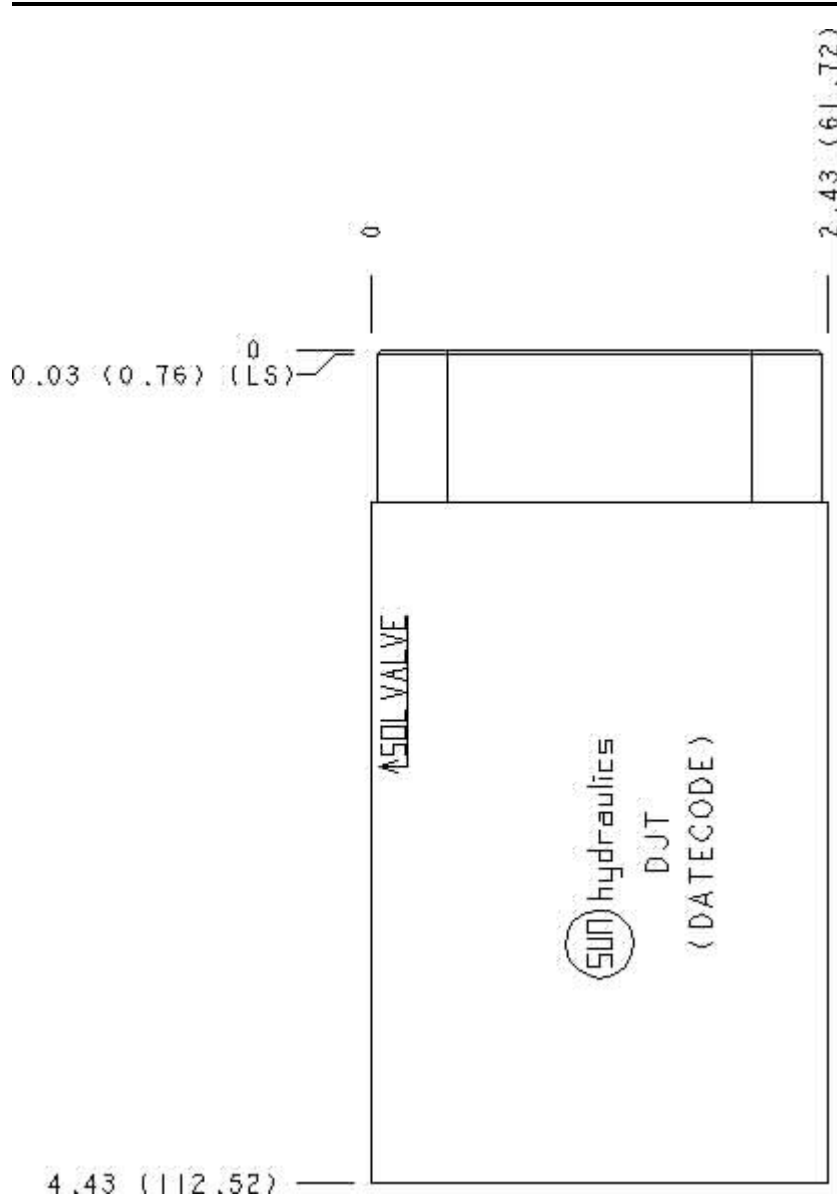
Functional Group:

Model:

Products : Manifolds : Sandwich : Check : ISO 05 X and Y : On T

DJT

Face : 7



Cartridge extension measurement is to the centerline of the cartridge.

Aluminum Body Pressure Rating: **3000 psi (210 bar)**

Ductile Iron Body Pressure Rating: **5000 psi (350 bar)**

Technical Data

|  | U.S. Units | Metric Units |
|--|------------|--------------|
|--|------------|--------------|

|                             |              |          |
|-----------------------------|--------------|----------|
| <b>Model Weight</b>         | 2.21 lb.     | 1.00 kg. |
| <b>Cavity</b>               | T-5A         |          |
| <b>Body Features</b>        | Out of T     |          |
| <b>Body Type</b>            | Sandwich     |          |
| <b>Interface</b>            | ISO 05 - X&Y |          |
| <b>Open Cavity Quantity</b> | 1            |          |
| <b>Stack Height</b>         | 2.49 in.     | 63 mm    |

Option Selection:

| Model Code | Description                         |
|------------|-------------------------------------|
| DJT        | Aluminum, Buna-N,<br>U.S. Units     |
| DJT/S      | Ductile Iron, Buna-N,<br>U.S. Units |

Special Notes :

- | For check valve application, use only with CX\*A check valves - free flow nose to side.

Related Information :

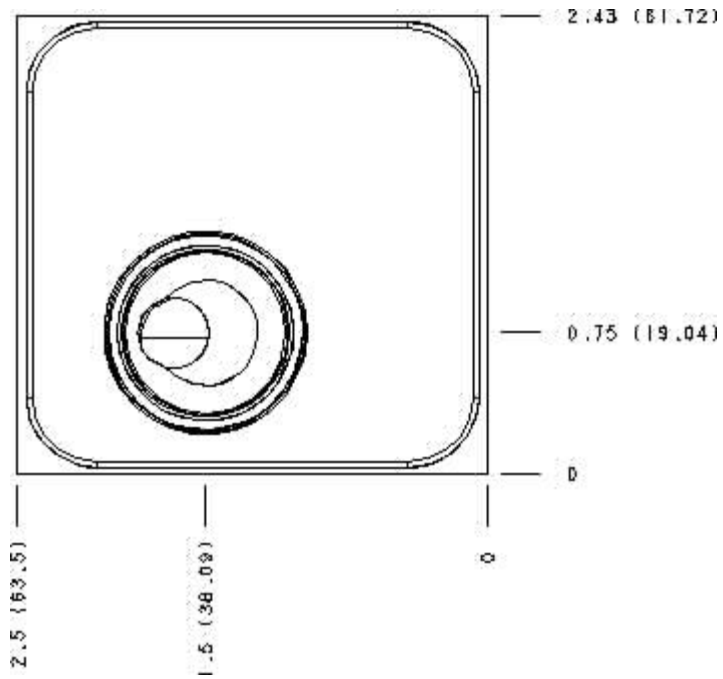
- | [The retainer and seal kit used with this ISO 05 X and Y sandwich determines which pattern, either European or US, is active. It must be ordered separately. Click here for more information.](#)
- | [Studnuts and Studrods for sandwich bodies - metric units.](#)
- | [Studnuts and Studrods for sandwich bodies - US units](#)



Functional Group:  
 Products : Manifolds : Sandwich : Check : ISO 05 X and Y : On T

Model:  
 DJT

Face : 2



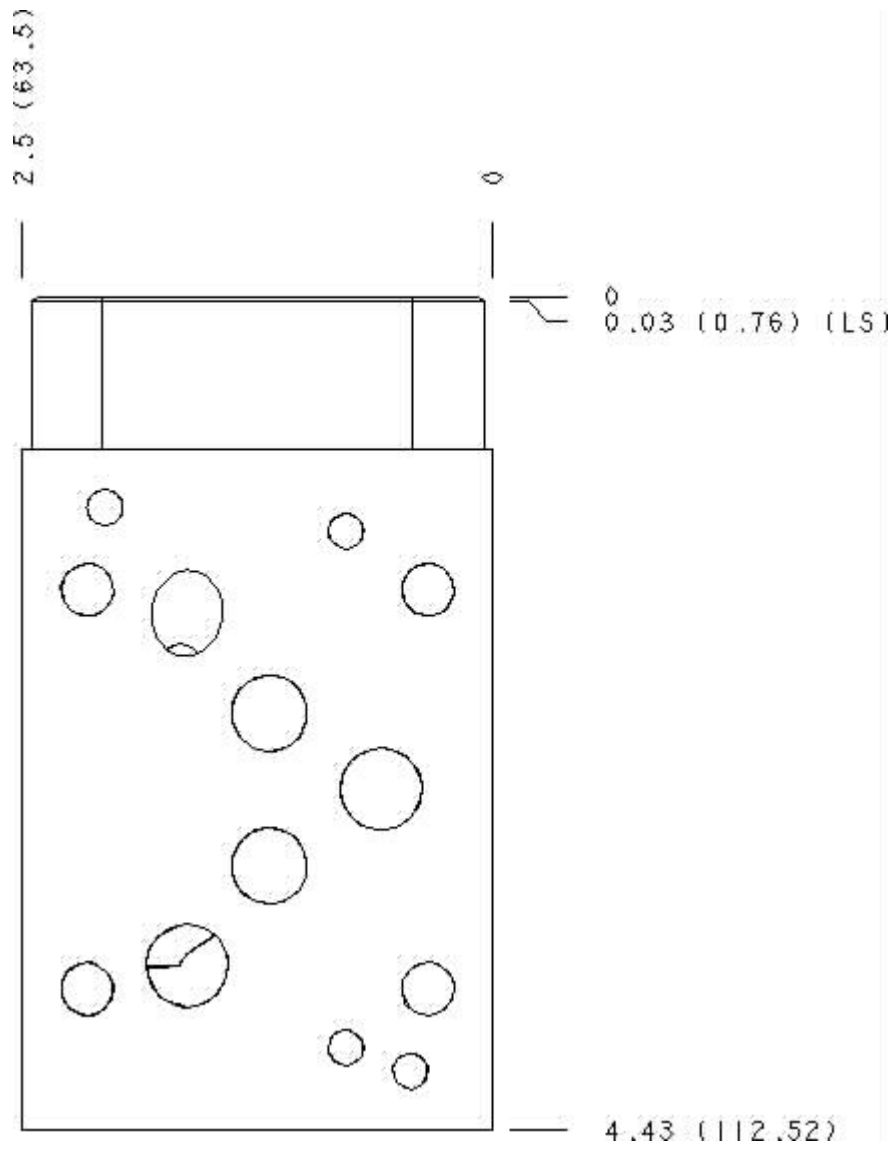
Cartridge extension measurement is to the centerline of the cartridge.



Functional Group:  
Products : Manifolds : Sandwich : Check : ISO 05 X and Y : On T

Model:  
DJT

Face : 6



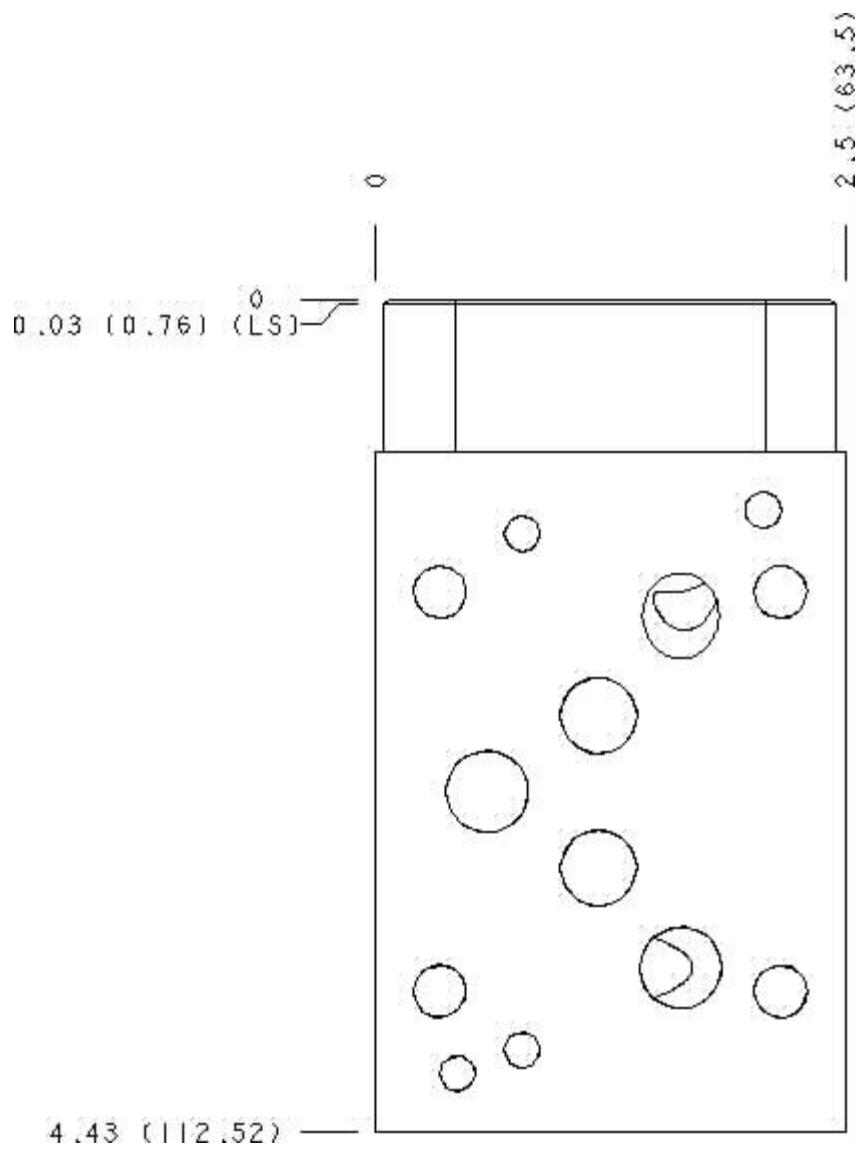
Cartridge extension measurement is to the centerline of the cartridge.



Functional Group:  
 Products : Manifolds : Sandwich : Check : ISO 05 X and Y : On T

Model:  
 DJT

Face : 8



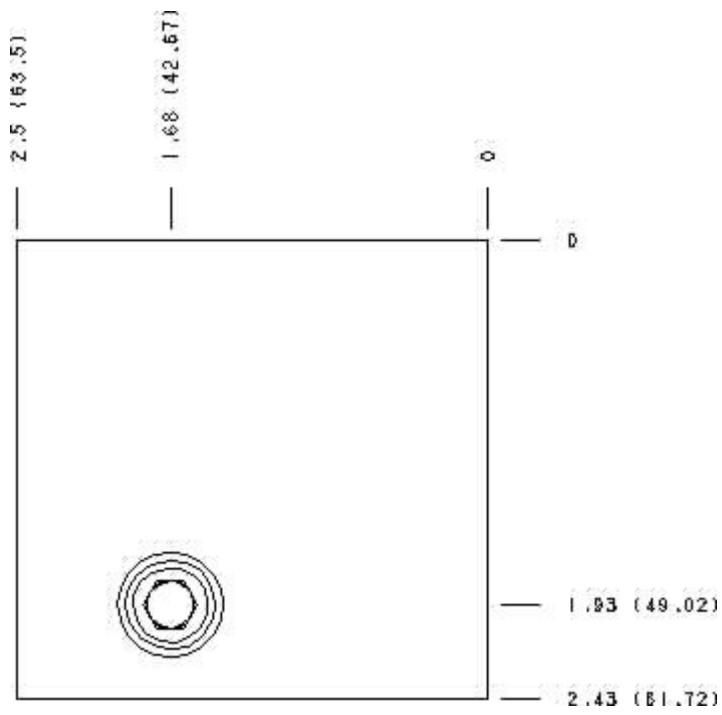
Cartridge extension measurement is to the centerline of the cartridge.



Functional Group:  
 Products : Manifolds : Sandwich : Check : ISO 05 X and Y : On T

Model:  
 DJT

Face : 10



Cartridge extension measurement is to the centerline of the cartridge.



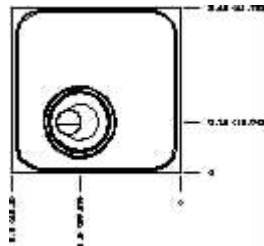
Functional Group:

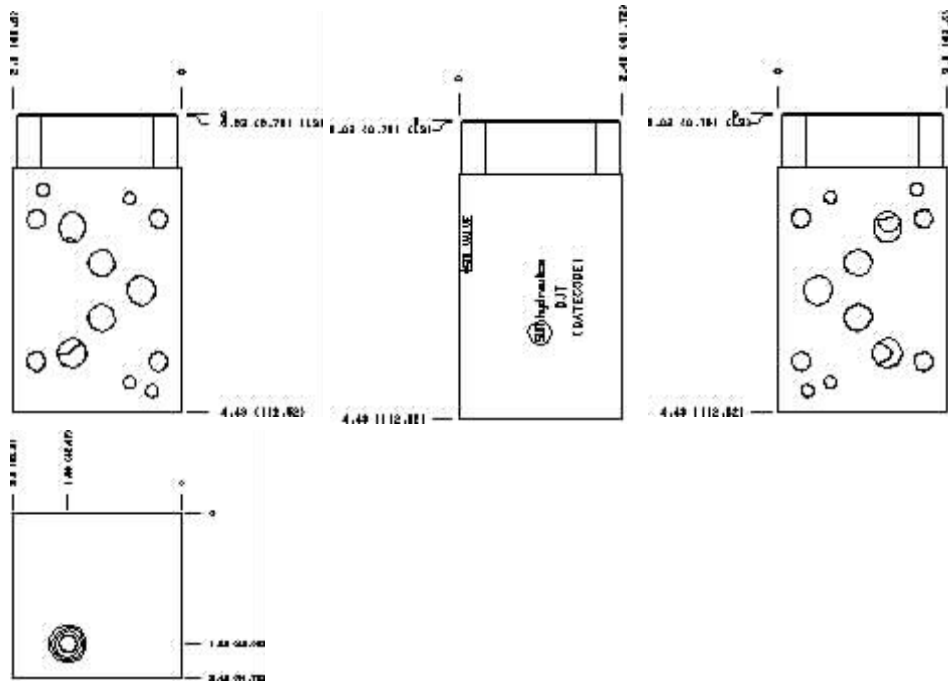
Products : Manifolds : Sandwich : Check : ISO 05 X and Y : On T

Model:  
DJT

Projection Type

All Dimensions in Inches(mm)





Copyright © 2007-2008 Sun Hydraulics Corporation.  
All rights reserved.

[Terms and Conditions](#) - [Statement of Privacy](#)