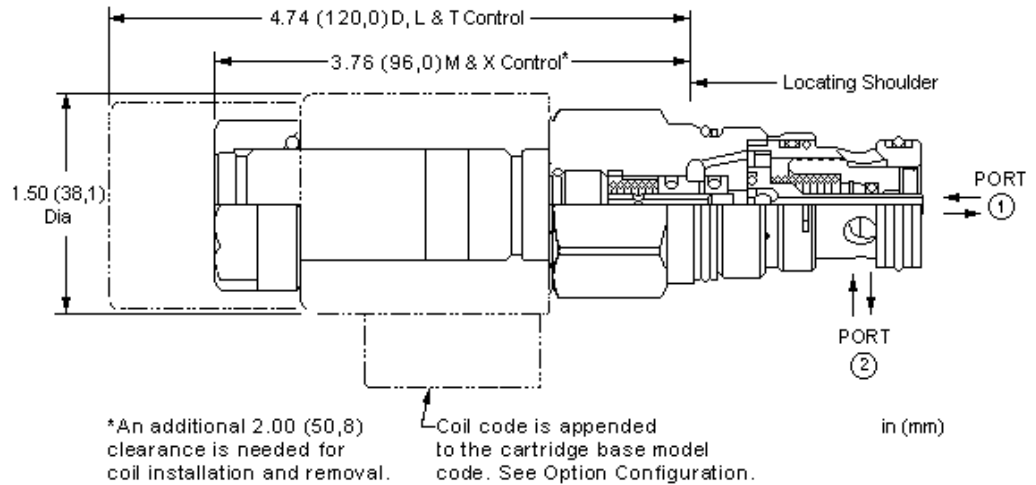


T-Control, C-Poppet

**CONFIGURATION**

<b>T</b>	Control	Twist (Momentary) Manual Override
<b>C</b>	Poppet Configuration	Normally Closed
<b>N</b>	Seal Material	Buna-N
<b>(none)</b>	Coil	No coil



This solenoid controlled, 2-way, 2-position cartridge is a pilot-operated, poppet style directional valve with reverse free flow check. It is available in either a normally open or normally closed configuration. Due to its poppet style construction, it has extremely low leakage.

**TECHNICAL DATA**

NOTE: DATA MAY VARY BY CONFIGURATION. SEE CONFIGURATION SECTION.

Cavity	T-16A
Series	3
Capacity	60 gpm
Maximum Operating Pressure	5000 psi
Maximum Valve Leakage at 110 SUS (24 cSt)	10 drops/min.@5000 psi
Check Cracking Pressure	50 psi
Response Time - Typical	30 ms
Switching Frequency	15,000 max. cycles/hr
Solenoid Tube Diameter	.75 in.
Valve Hex Size	1 1/4 in.
Valve Installation Torque	150 - 160 lbf ft
Seal kit - Cartridge	Buna: 990016007
Seal kit - Cartridge	Viton: 990016006
Model Weight	1.53 lb.

**NOTES**

- Please verify cartridge clearance requirements when choosing a Sun manifold. Different valve controls and coils require different clearances.
- An additional 2.00 inches (50,8 mm) beyond the valve extension is needed for coil installation and removal.

**CONFIGURATION OPTIONS**

**Model Code Example: DFEBTCN**

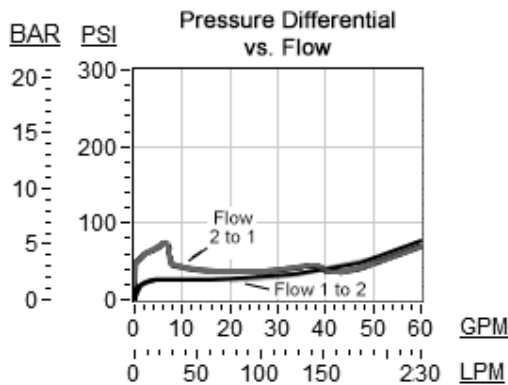
CONTROL	(T) POPPET CONFIGURATION	(C) SEAL MATERIAL	(N) COIL *
<b>T</b> Twist (Momentary) Manual Override	<b>C</b> Normally Closed	<b>N</b> Buna-N	No coil
<b>D</b> Twist/Lock (Dual) Manual Override	<b>H</b> Normally Open	<b>E</b> EPDM	<b>212</b> DIN 43650-Form A, 12 VDC
<b>L</b> Twist/Lock (Detent) Manual Override		<b>V</b> Viton	<b>224</b> DIN 43650-Form A, 24 VDC
<b>M</b> Manual Override			<b>912</b> Deutsch DT04-2P, 12 VDC
<b>X</b> No Manual Override			<b>924</b> Deutsch DT04-2P, 24 VDC

\* Additional coil options are available

## TECHNICAL FEATURES

- The solenoid tube assembly is fatigue rated for 5000 psi (350 bar) service.
- This cartridge has several manual override choices, including no manual override. See the CONFIGURATION section. Please note: Manual override functionality is not compatible with weatherized coils.
- Valves exhibit extremely low leakage rates; less than 10 drops/min. @ 5000 psi (0,7 cc/min @ 350 bar).
- On models equipped with the D or L control, the detent mechanism in the manual override is meant for temporary actuation. The D, L and T manual control assemblies have a mechanical life expectancy of approximately 7,000 cycles.
- This valve utilizes a wet armature design. This means that the working fluid surrounds the armature and is exposed to the heat generated by the coil. This can be a factor if the coil is energized for long periods of time. Some fluids, notably water/glycol mixtures, break down at these temperatures over time and form varnishes that will affect the function of the cartridge.
- A wide variety of coil termination and voltage options are available, with and without surge protection. See the CONFIGURATION section.
- The solenoid's unique magnetic design results in a high efficiency solenoid, yielding high spool actuating force per Watt expended, leading to reliable valve shifting.
- Coils are interchangeable with other Sun Series 1 solenoid products and can be mounted on the tube in either direction.
- Coil connector options offer ratings up to IP69K. See individual coil product pages for details. Additional weatherized coils and kits are available for more complete environmental protection.
- Incorporates the Sun floating-style construction to minimize the possibility of internal parts binding due to excessive installation torque and/or cavity/cartridge machining variations.

## PERFORMANCE CURVES



## RELATED MODELS

- [DFEB8](#) 2-way, poppet directional valve with integral T-8A control cavity - control 2-1