

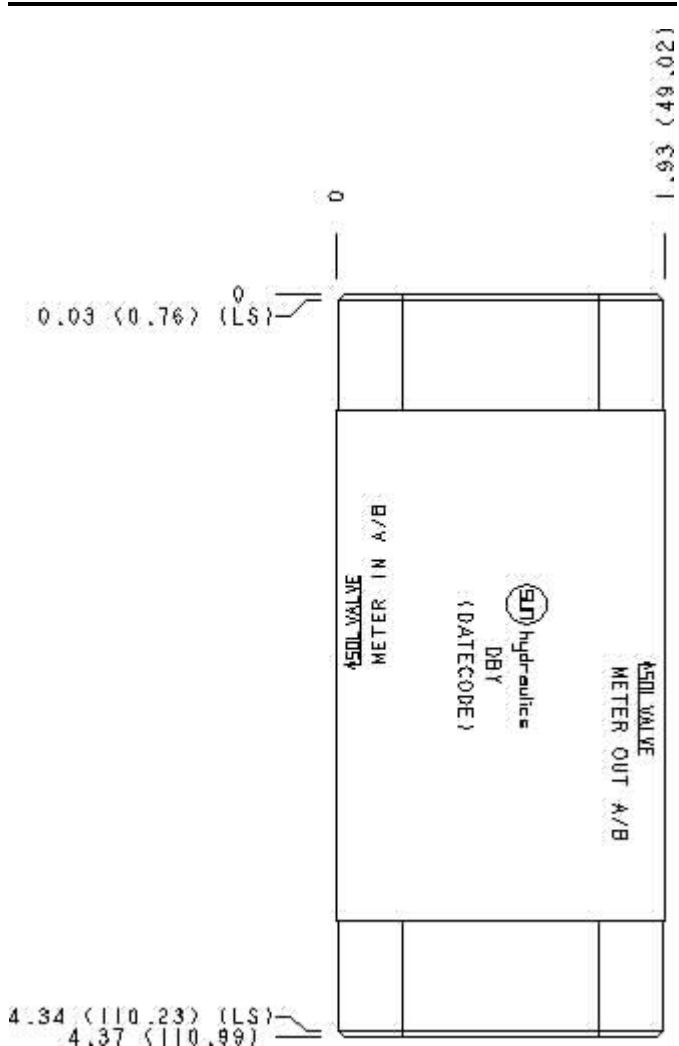
Functional Group:

Model:

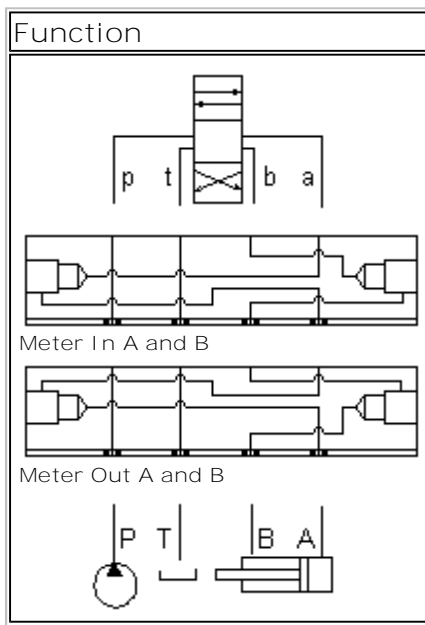
Products : Manifolds : Sandwich : Flow Control : ISO 05 : Meter in on A and B

DBY

Face : 7



Cartridge extension measurement is to the centerline of the cartridge.



Aluminum Body Pressure Rating: **3000 psi (210 bar)**
 Ductile Iron Body Pressure Rating: **5000 psi (350 bar)**

Technical Data

	U.S. Units	Metric Units
Model Weight	1.67 lb.	0.76 kg.
Cavity	T-5A	
Body Features	Flow into workports A and B or out of A and B	
Body Type	Sandwich	

Interface	ISO 05	
Open Cavity Quantity	2	
Stack Height	1.99 in.	50,5 mm

Option Selection:

Model Code	Description
DBY	Aluminum, Buna-N, U.S. Units
DBY/S	Ductile Iron, Buna-N, U.S. Units
DBY/V	Aluminum, Viton, U.S. Units
DBY/Y	Ductile Iron, Viton, U.S. Units

Special Notes :

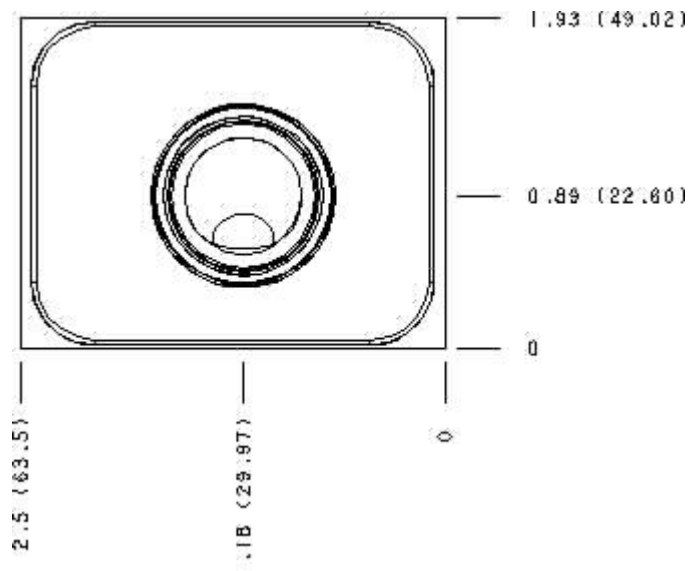
No Special Notes available for selected Model.



Functional Group:
Products : Manifolds : Sandwich : Flow Control : ISO 05 : Meter in on A and B

Model:
DBY

Face : 2

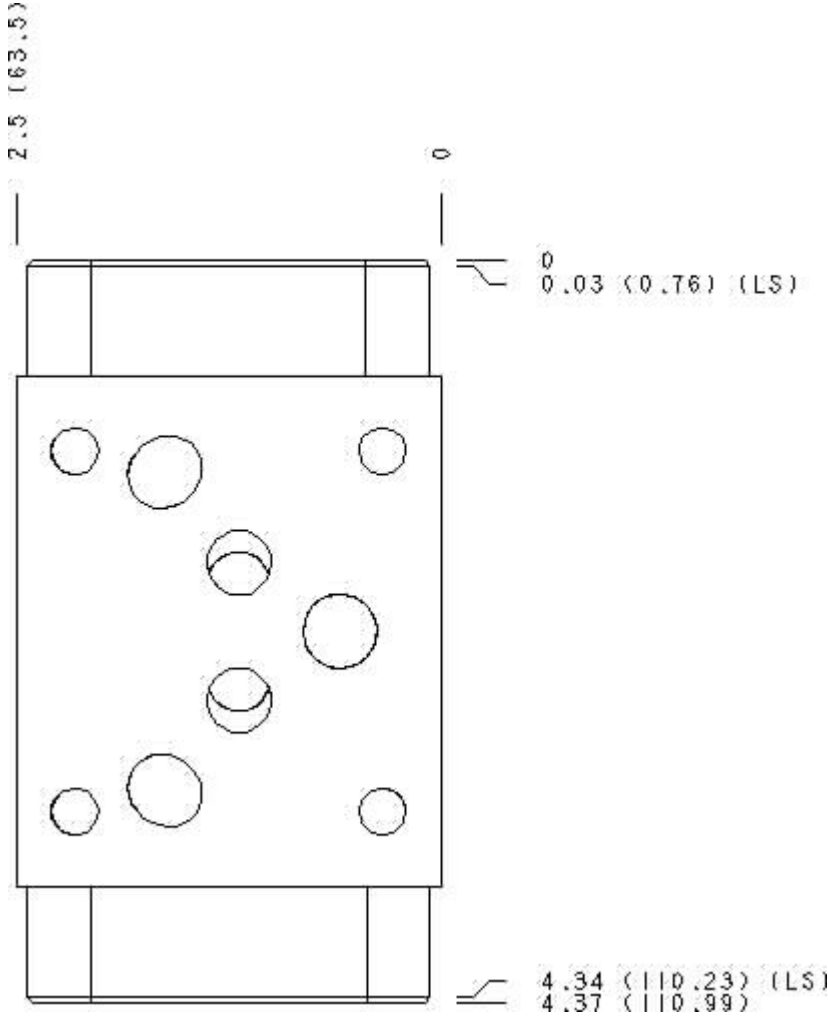


Cartridge extension measurement is to the centerline of the cartridge.

Functional Group:
Products : Manifolds : Sandwich : Flow Control : ISO 05 : Meter in on A and B

Model:
DBY

Face : 6

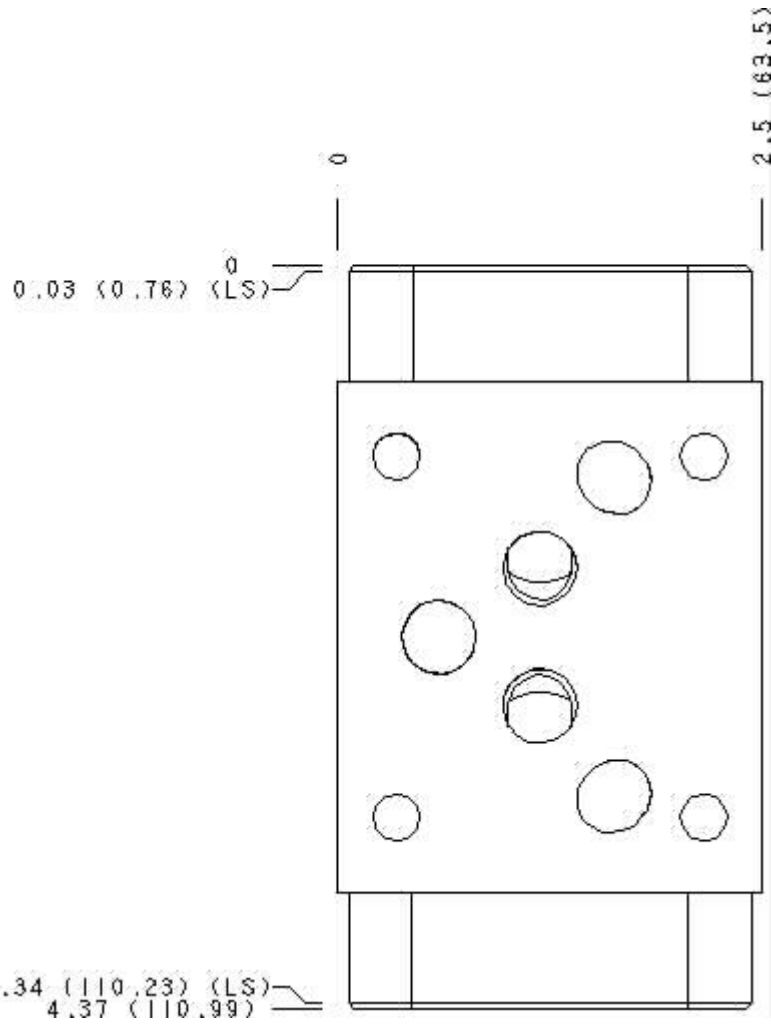


Cartridge extension measurement is to the centerline of the cartridge.

Functional Group:
Products : Manifolds : Sandwich : Flow Control : ISO 05 : Meter in on A and B

Model:
DBY

Face : 8



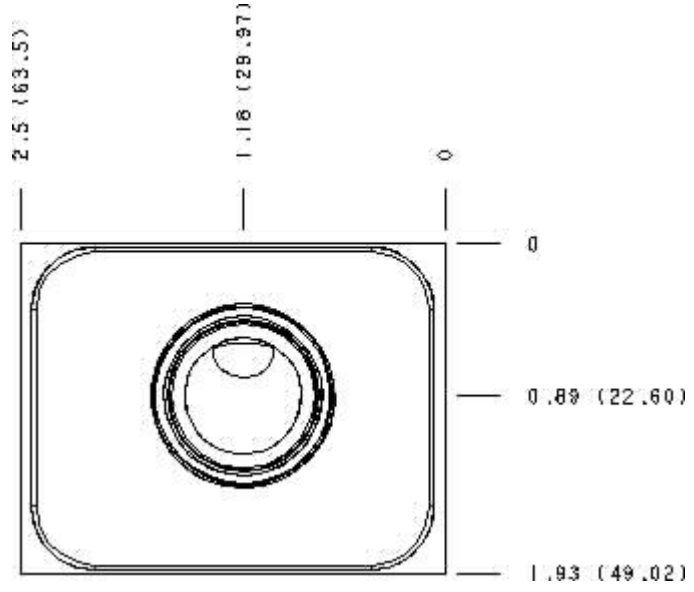
Cartridge extension measurement is to the centerline of the cartridge.



Functional Group:
 Products : Manifolds : Sandwich : Flow Control : ISO 05 : Meter in on A and B

Model:
 DBY

Face : 10



Cartridge extension measurement is to the centerline of the cartridge.



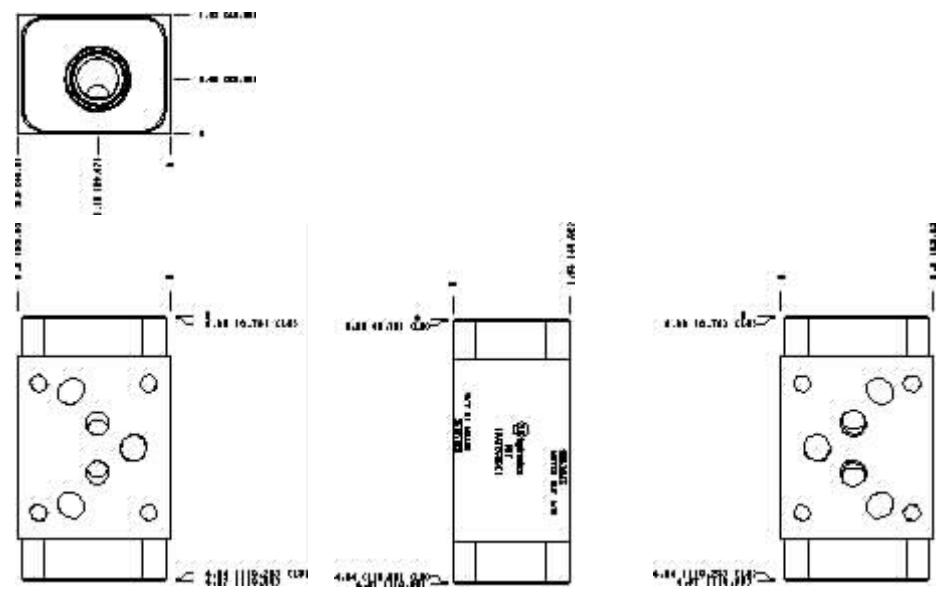
Functional Group:

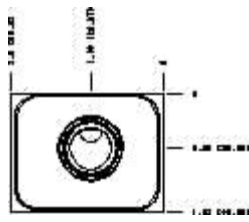
Products : Manifolds : Sandwich : Flow Control : ISO
05 : Meter in on A and B

Model:
DBY

Projection Type

All Dimensions in Inches(mm)





Copyright © 2007-2008 Sun Hydraulics Corporation.
All rights reserved.

[Terms and Conditions](#) - [Statement of Privacy](#)