

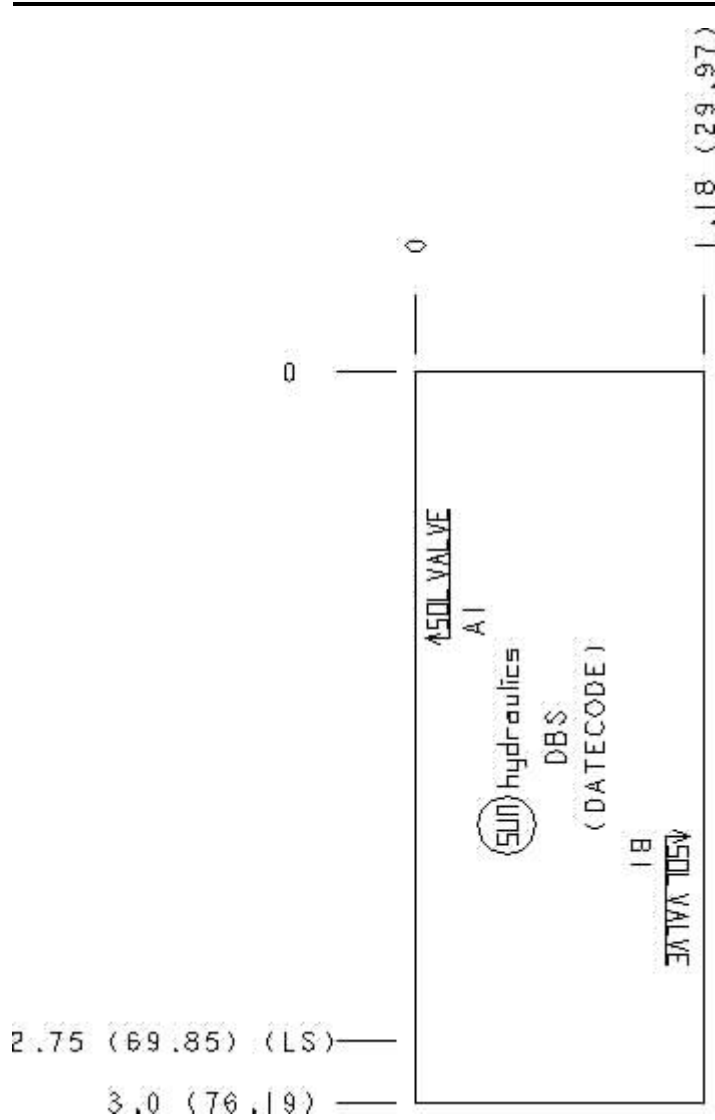
Functional Group:

Products : Manifolds : Sandwich : Check : ISO 05 : A to B

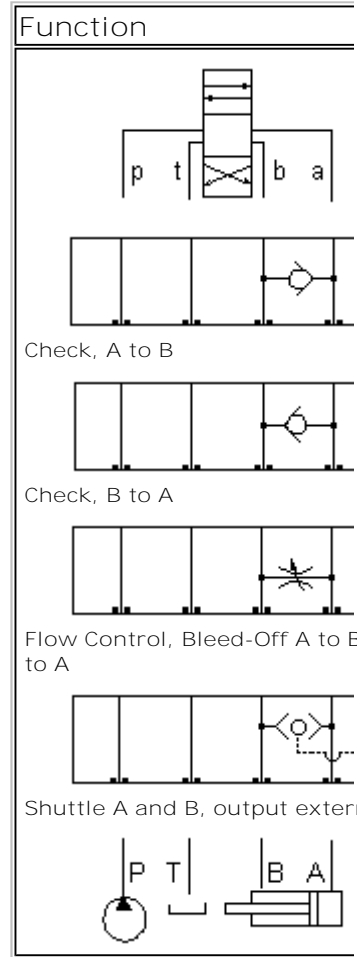
Model:

DBS

Face : 7



Cartridge extension measurement is to the centerline of the cartridge.



Aluminum Body Pressure Rating: **3000 psi (210 bar)**
 Ductile Iron Body Pressure Rating: **5000 psi (350 bar)**

Technical Data

	U.S. Units	Metric Units
Model Weight	0.77 lb.	0.35 kg.
Cavity	T-13A	

Body Features	A to B or B to A	
Body Type	Sandwich	
Interface	ISO 05	
Open Cavity Quantity	1	
Stack Height	1.24 in.	31,5 mm

Option Selection:

Model Code	Description
DBS	Aluminum, Buna-N, U.S. Units
DBS/S	Ductile Iron, Buna-N, U.S. Units
DBS/V	Aluminum, Viton, U.S. Units
DBS/Y	Ductile Iron, Viton, U.S. Units

Special Notes :

- | For check valve application, use only with CX*A check valves - free flow nose to side.

Related Information :

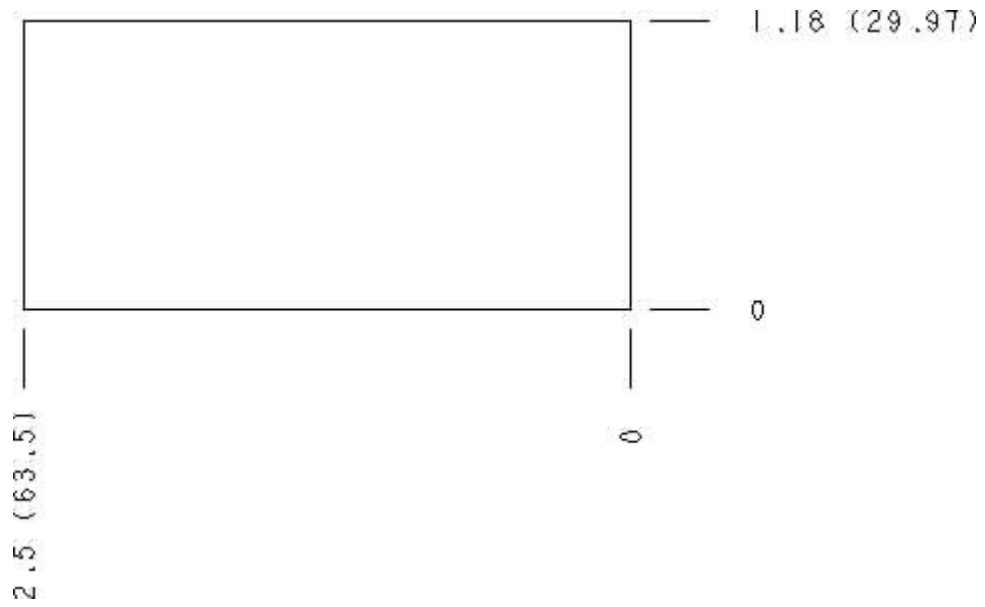
- | [Studnuts and Studrods for sandwich bodies - metric units.](#)
- | [How to install multi-functional sandwich bodies - US.](#)
- | [How to install multi-functional sandwich bodies - CETOP](#)
- | [Studnuts and Studrods for sandwich bodies - US units](#)



Functional Group:
Products : Manifolds : Sandwich : Check : ISO 05 : A to B

Model:
DBS

Face : 2



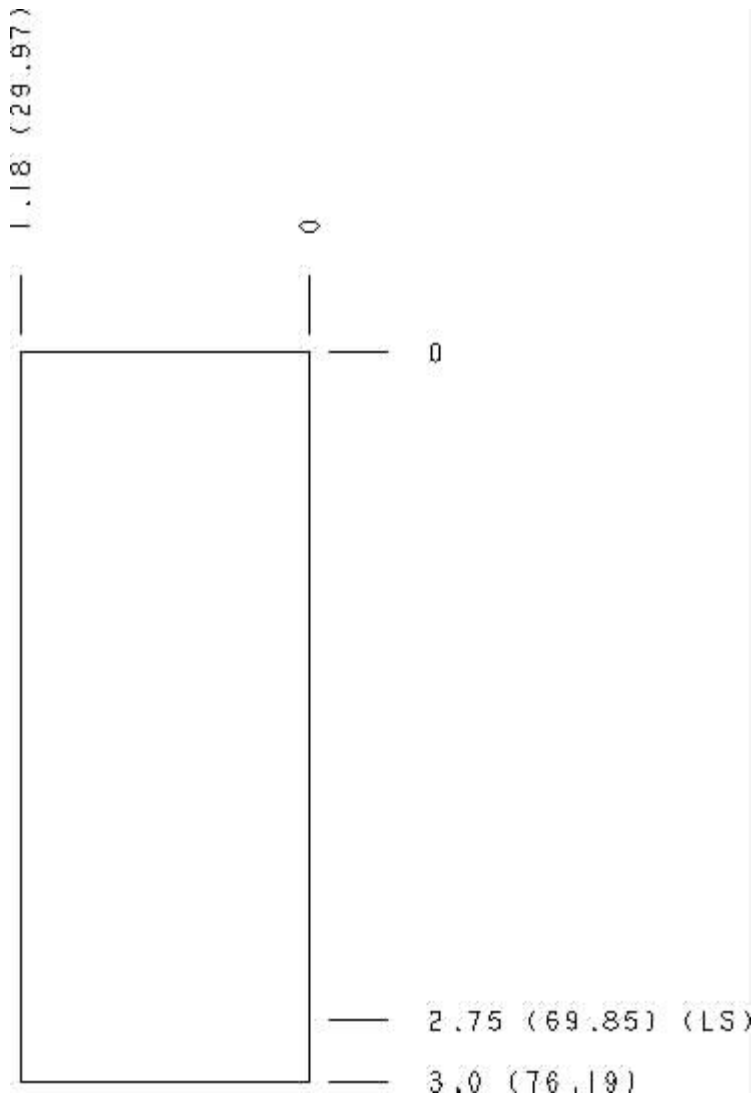
Cartridge extension measurement is to the centerline of the cartridge.



Functional Group:
Products : Manifolds : Sandwich : Check : ISO 05 : A to B

Model:
DBS

Face : 5



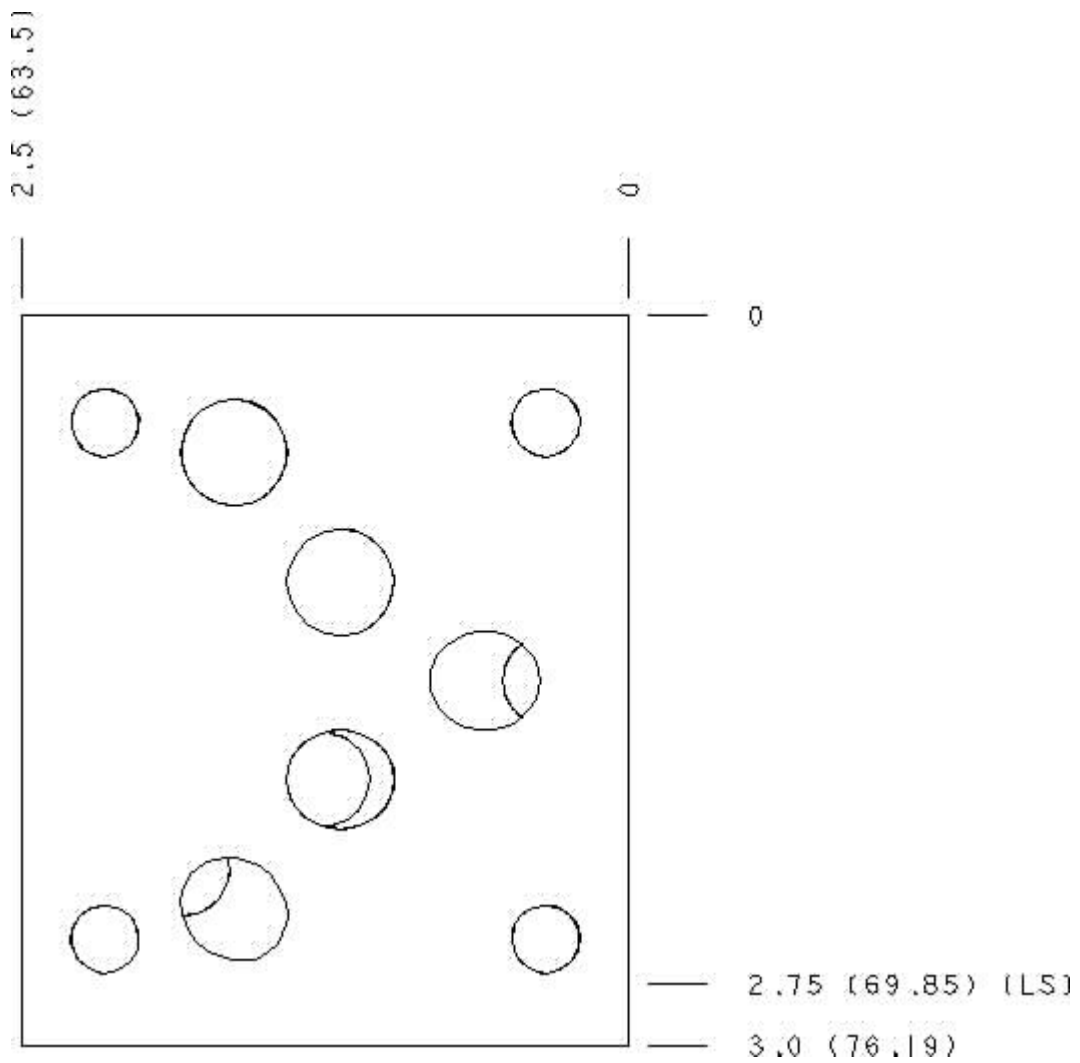
Cartridge extension measurement is to the centerline of the cartridge.



Functional Group:
Products : Manifolds : Sandwich : Check : ISO 05 : A to B

Model:
DBS

Face : 6



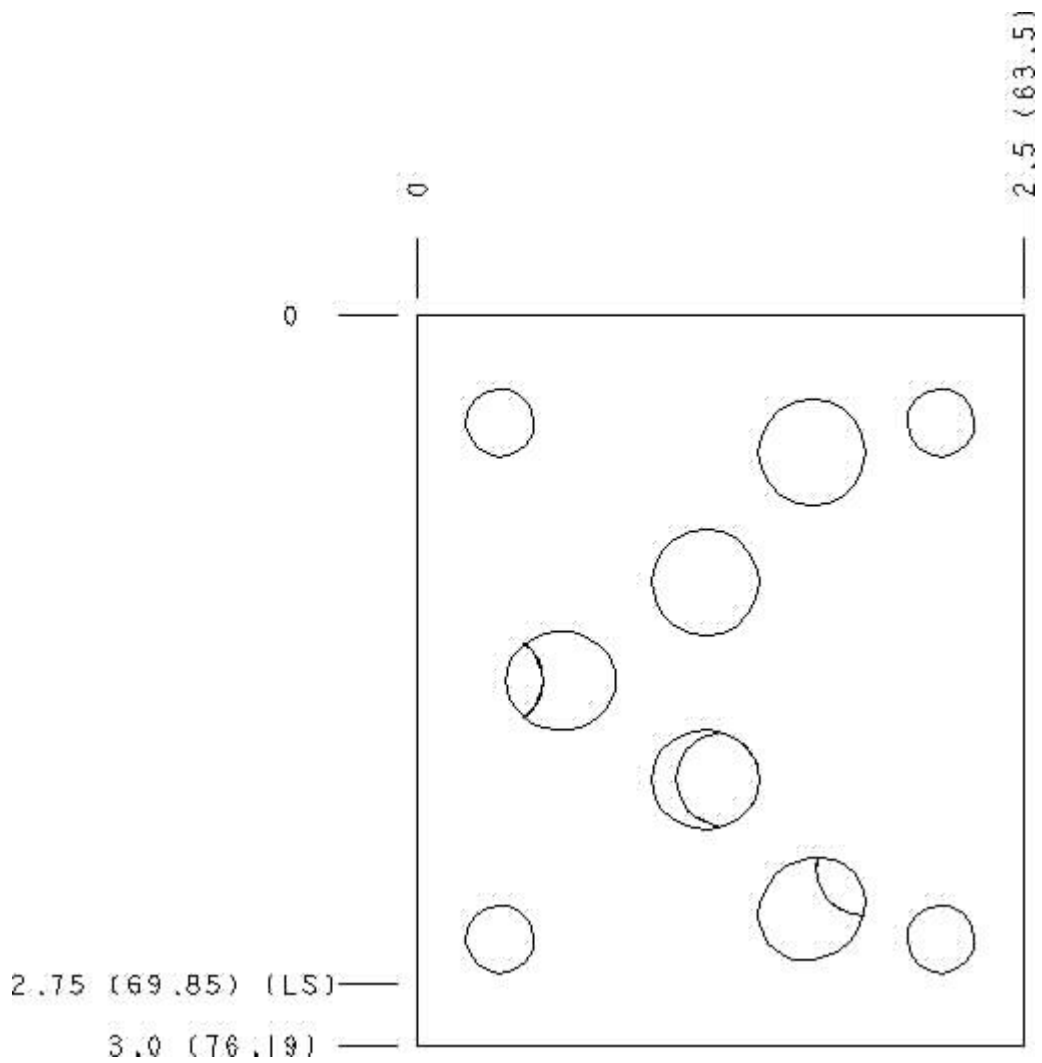
Cartridge extension measurement is to the centerline of the cartridge.



Functional Group:
 Products : Manifolds : Sandwich : Check : ISO 05 : A to B

Model:
 DBS

Face : 8



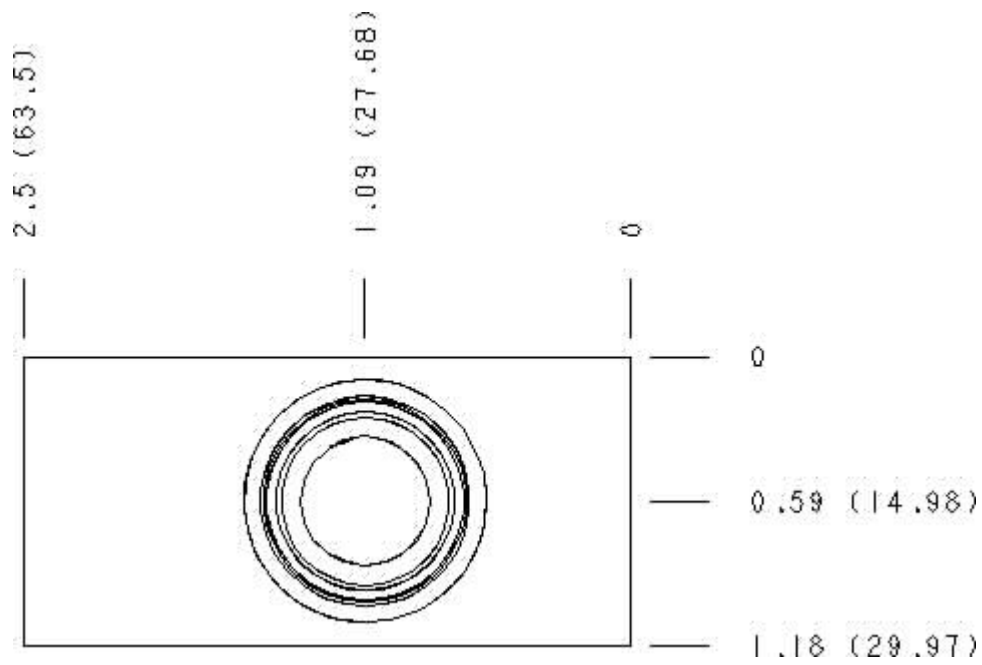
Cartridge extension measurement is to the centerline of the cartridge.



Functional Group:
 Products : Manifolds : Sandwich : Check : ISO 05 : A to B

Model:
 DBS

Face : 10



Cartridge extension measurement is to the centerline of the cartridge.



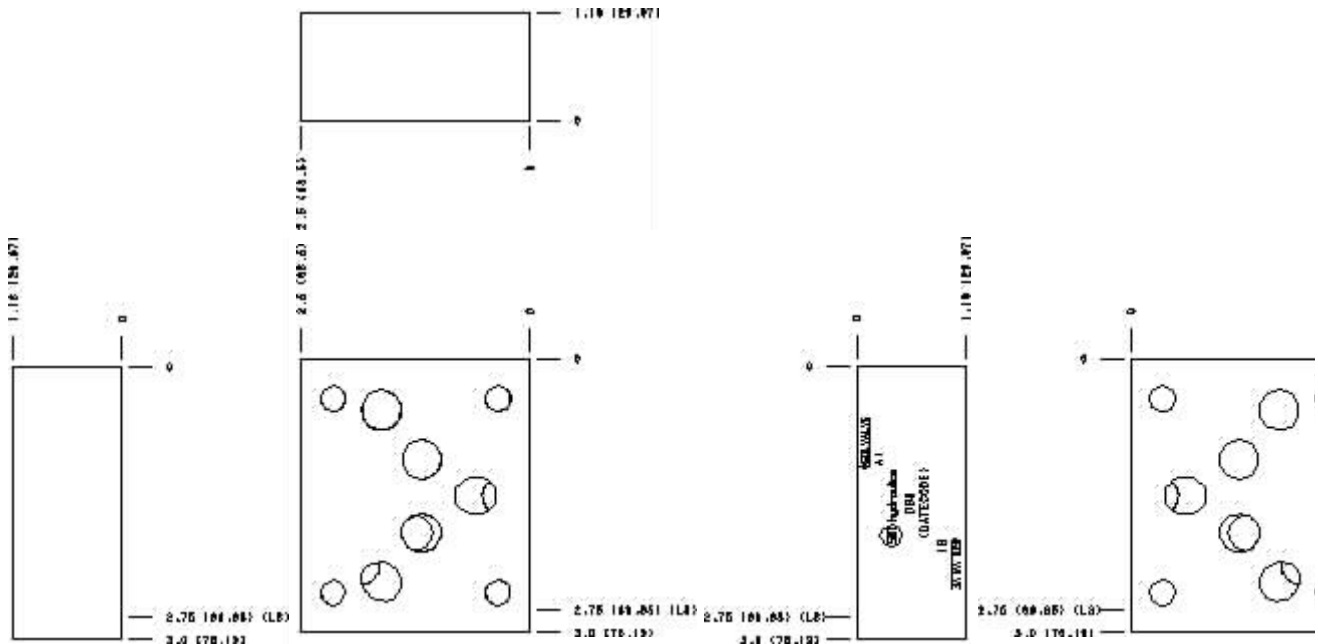
Functional Group:

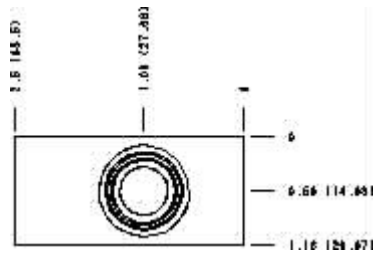
Products : Manifolds : Sandwich : Check : ISO 05 : A to B

Model:
DBS

Projection Type

All Dimensions in Inches(mm)





Copyright © 2007-2008 Sun Hydraulics Corporation.
All rights reserved.

[Terms and Conditions](#) - [Statement of Privacy](#)