

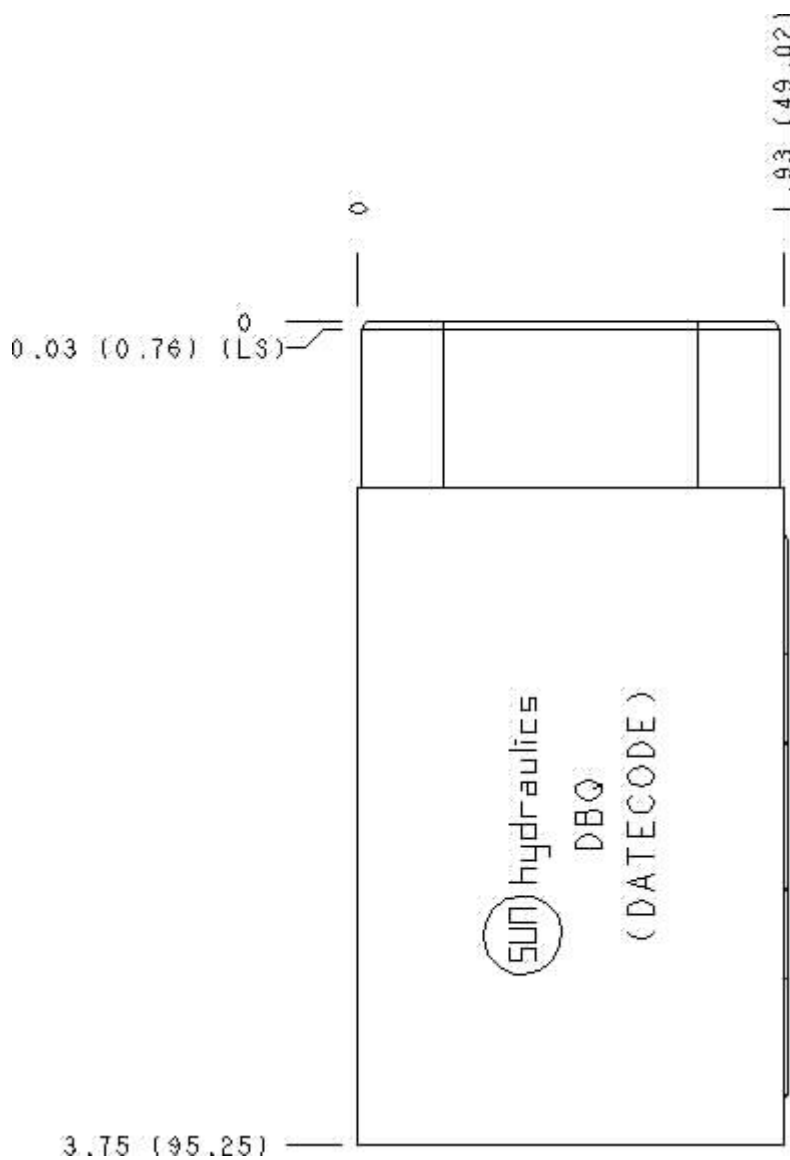
Functional Group:

Products : Manifolds : Sandwich : Flow Control : ISO 05 : P to T

Model:

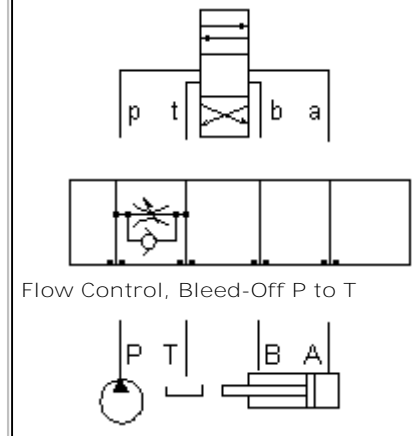
DBQ

Face : 7



Cartridge extension measurement is to the centerline of the cartridge.

Function



Aluminum Body Pressure Rating: **3000 psi (210 bar)**

Ductile Iron Body Pressure Rating: **5000 psi (350 bar)**

Technical Data

	U.S. Units	Metric Units
Model Weight	1.46 lb.	0.66 kg.

Cavity	T-5A	
Body Features	P to T	
Body Type	Sandwich	
Interface	ISO 05	
Open Cavity Quantity	1	
Stack Height	1.94 in.	49 mm

Option Selection:

Model Code	Description
DBQ	Aluminum, Buna-N, U.S. Units
DBQ/S	Ductile Iron, Buna-N, U.S. Units
DBQ/V	Aluminum, Viton, U.S. Units
DBQ/Y	Ductile Iron, Viton, U.S. Units

Special Notes :

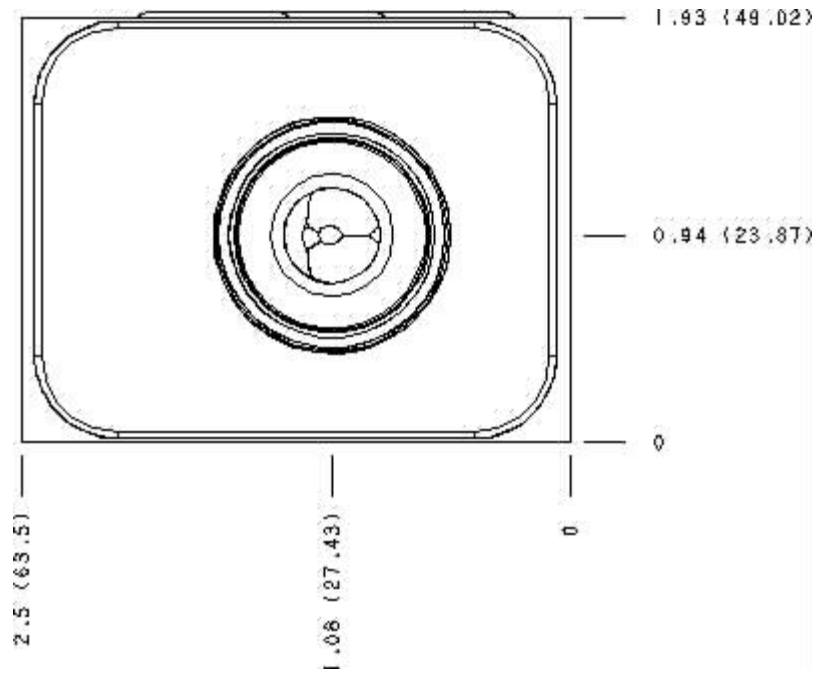
No Special Notes available for selected Model.



Functional Group:
Products : Manifolds : Sandwich : Flow Control : ISO 05 : P to T

Model:
DBQ

Face : 2



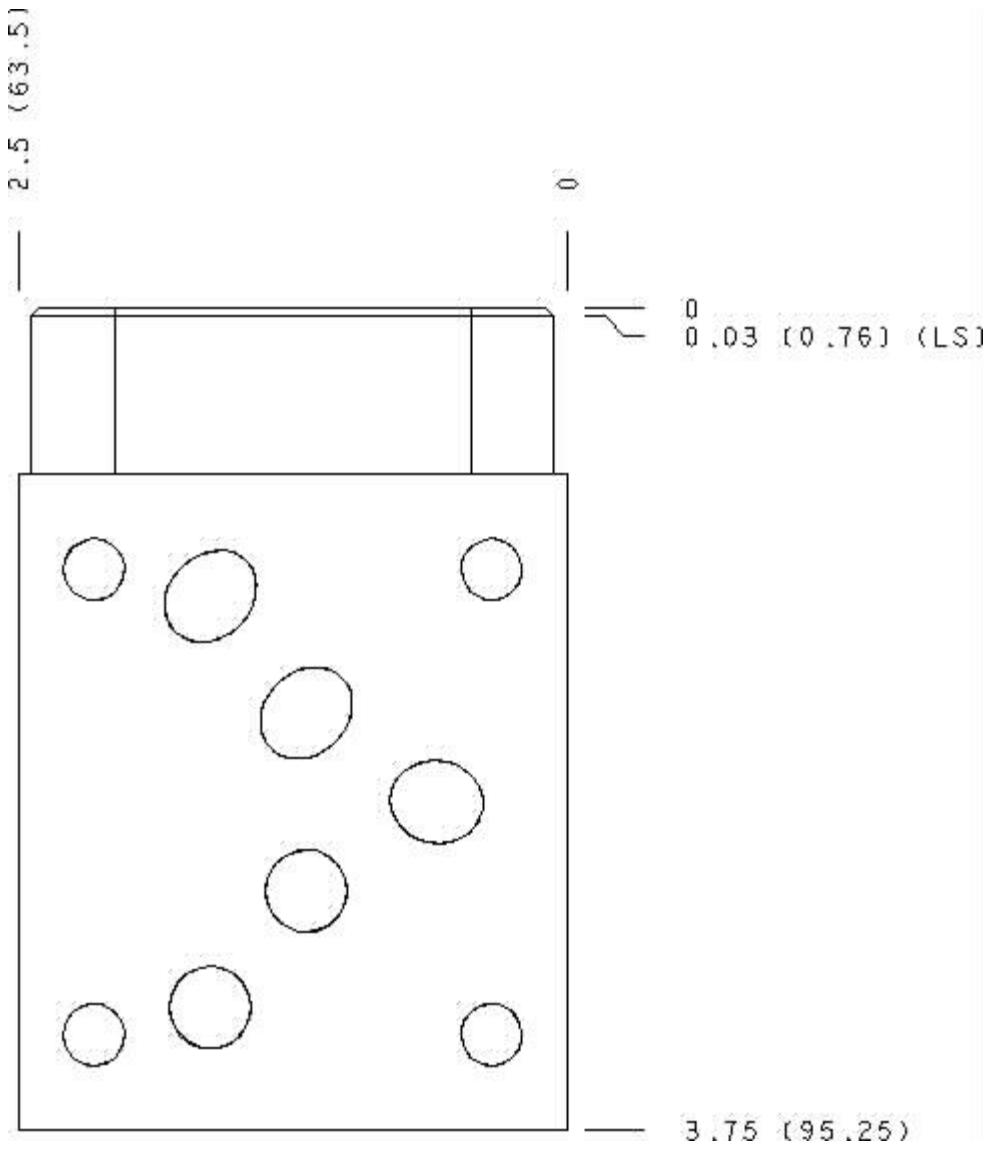
Cartridge extension measurement is to the centerline of the cartridge.



Functional Group:
Products : Manifolds : Sandwich : Flow Control : ISO 05 : P to T

Model:
DBQ

Face : 6



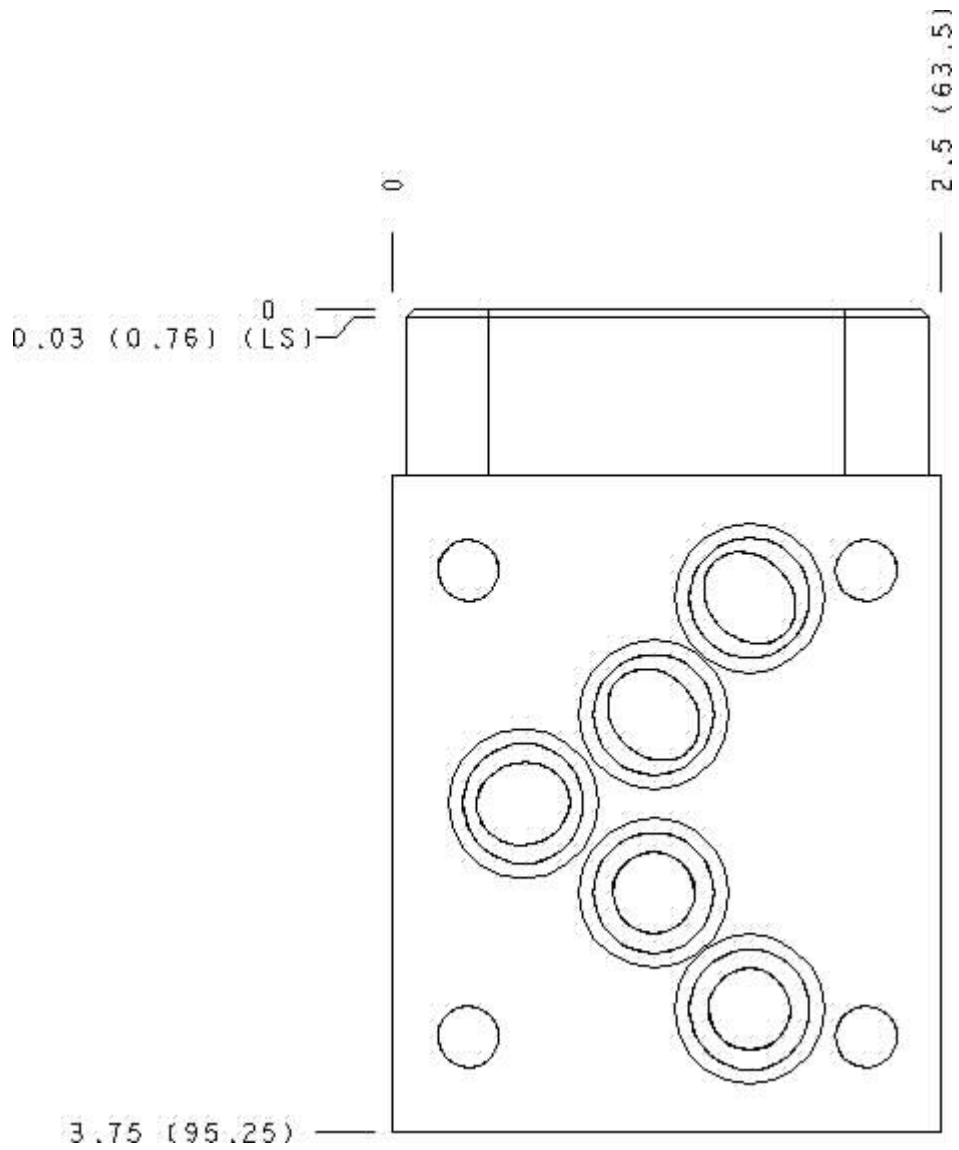
Cartridge extension measurement is to the centerline of the cartridge.



Functional Group:
 Products : Manifolds : Sandwich : Flow Control : ISO 05 : P to T

Model:
 DBQ

Face : 8



Cartridge extension measurement is to the centerline of the cartridge.



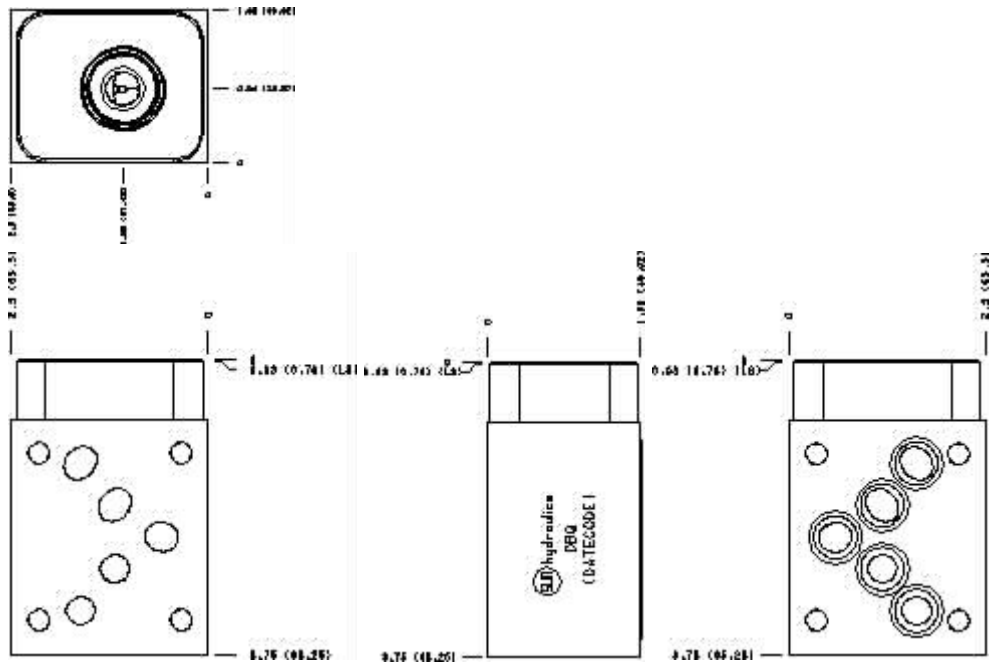
Functional Group:

Products : Manifolds : Sandwich : Flow Control : ISO
05 : P to T

Model:
DBQ

Projection Type 

All Dimensions in Inches(mm)



Copyright © 2007-2008 Sun Hydraulics Corporation.
 All rights reserved.

[Terms and Conditions](#) - [Statement of Privacy](#)