

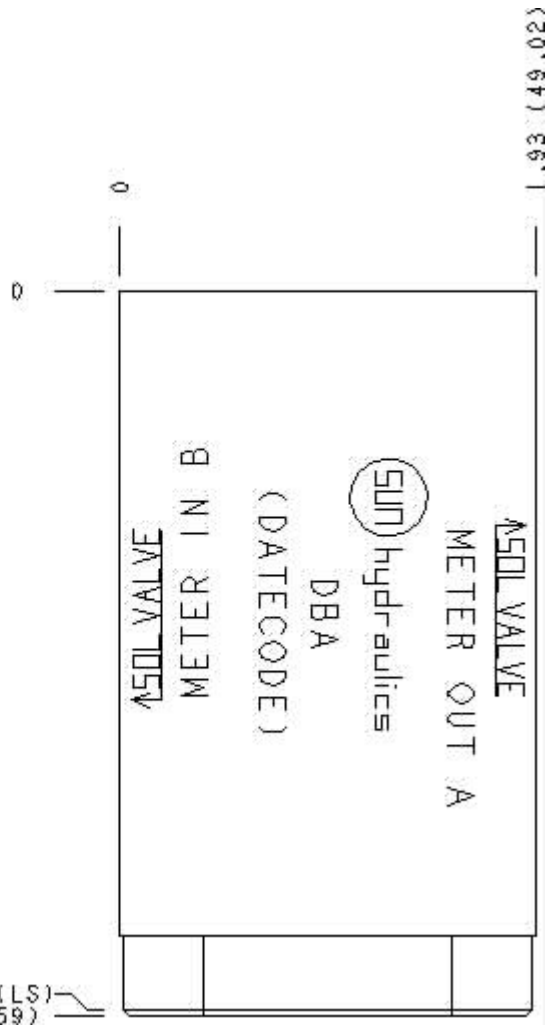
Functional Group:

Products : Manifolds : Sandwich : Flow Control : ISO 05 : Meter in on B

Model:

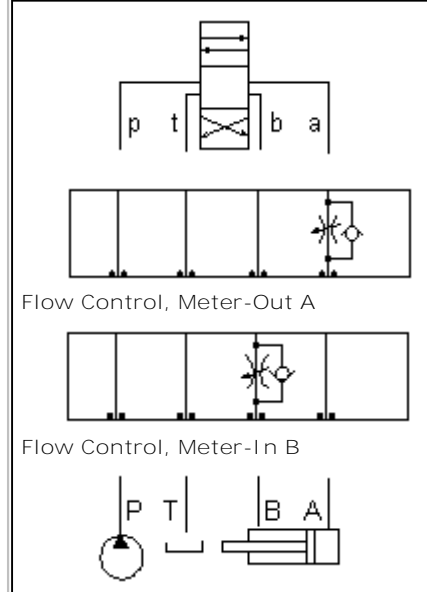
DBA

Face : 6



Cartridge extension measurement is to the centerline of the cartridge.

Function



Aluminum Body Pressure Rating: **3000 psi (210 bar)**

Ductile Iron Body Pressure Rating: **5000 psi (350 bar)**

Technical Data

	U.S. Units	Metric Units
Model Weight	1.38 lb.	0.63 kg.
Cavity	T-5A	
Body Features	Flow into workport B or out of A	
Body Type	Sandwich	

Interface	ISO 05	
Open Cavity Quantity	1	
Stack Height	1.99 in.	50,5 mm

Option Selection:

Model Code	Description
DBA	Aluminum, Buna-N, U.S. Units
DBA/S	Ductile Iron, Buna-N, U.S. Units
DBA/V	Aluminum, Viton, U.S. Units
DBA/Y	Ductile Iron, Viton, U.S. Units

Special Notes :

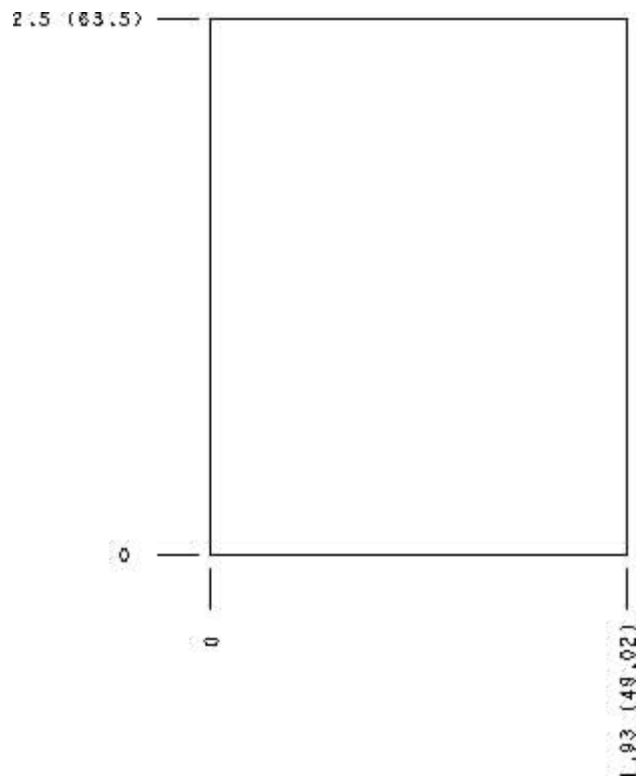
No Special Notes available for selected Model.



Functional Group:
Products : Manifolds : Sandwich : Flow Control : ISO 05 : Meter in on B

Model:
DBA

Face : 2



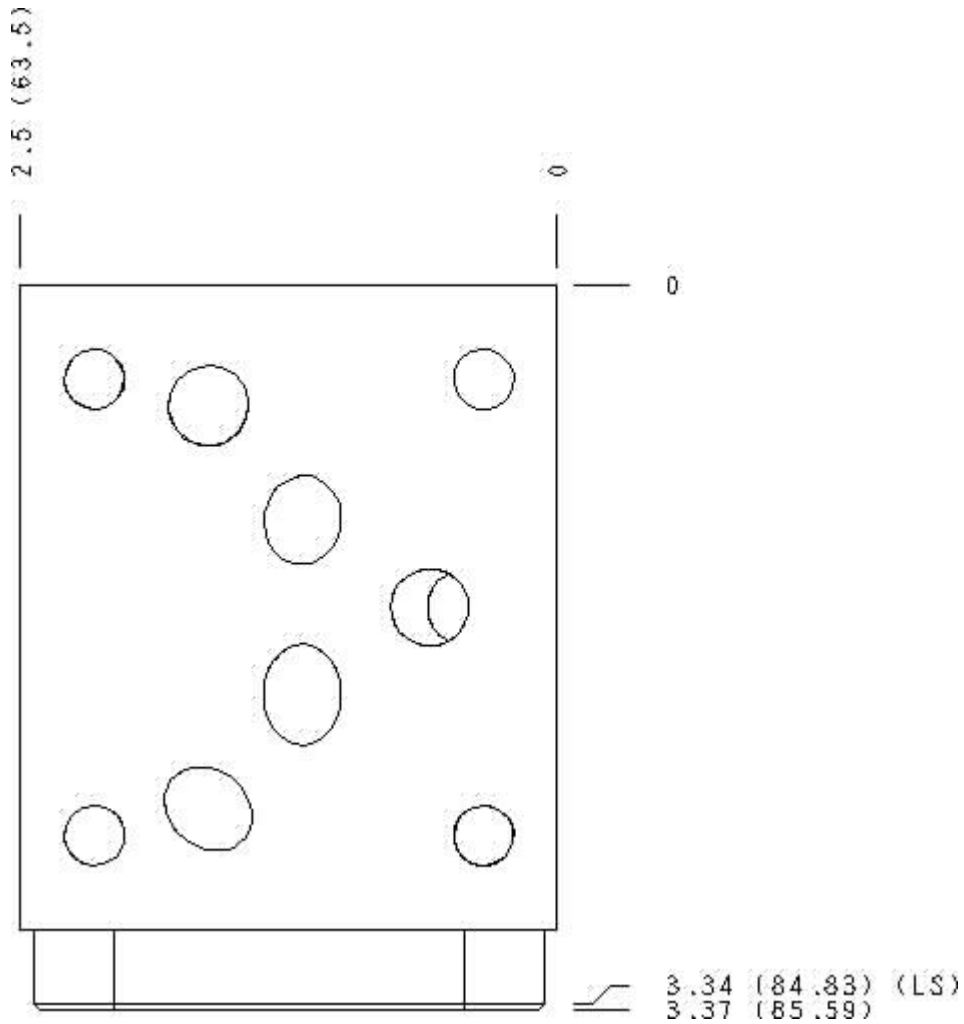
Cartridge extension measurement is to the centerline of the cartridge.



Functional Group:
Products : Manifolds : Sandwich : Flow Control : ISO 05 : Meter in on B

Model:
DBA

Face : 5



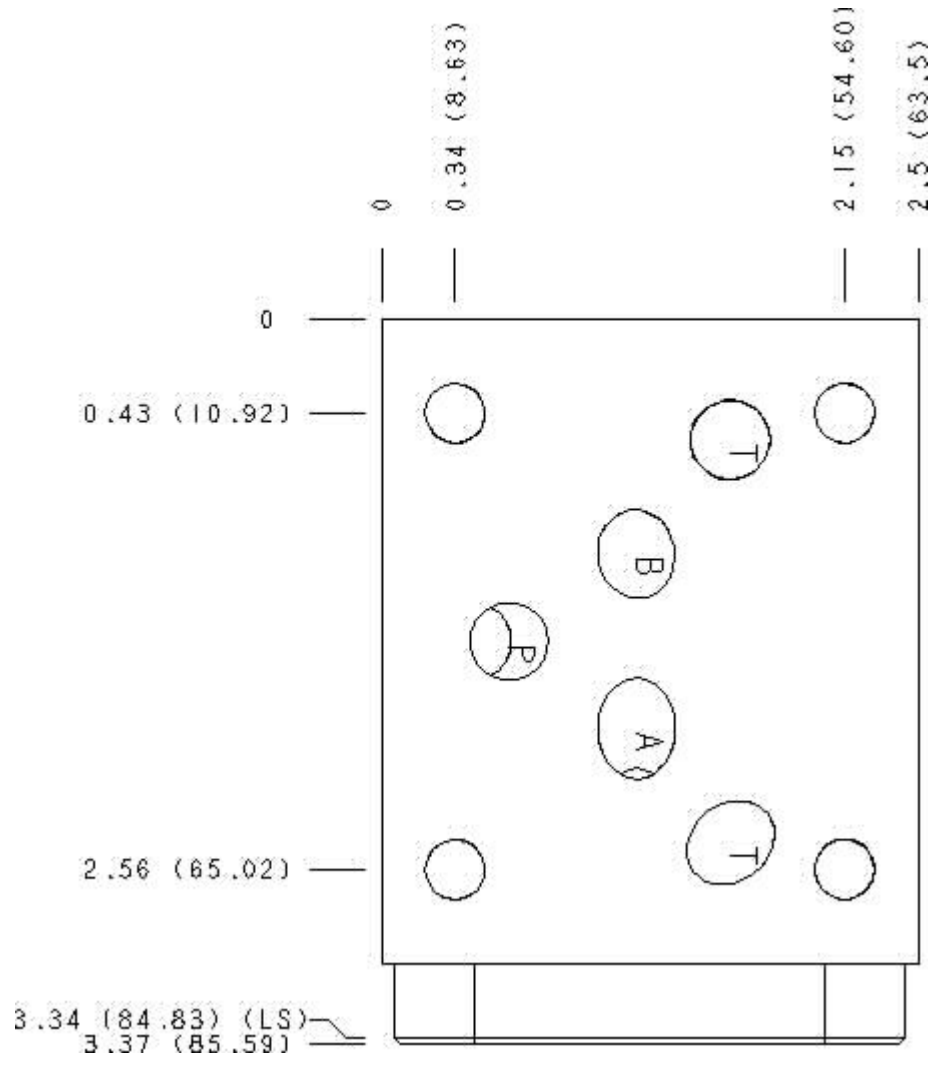
Cartridge extension measurement is to the centerline of the cartridge.



Functional Group:
Products : Manifolds : Sandwich : Flow Control : ISO 05 : Meter in on B

Model:
DBA

Face : 7



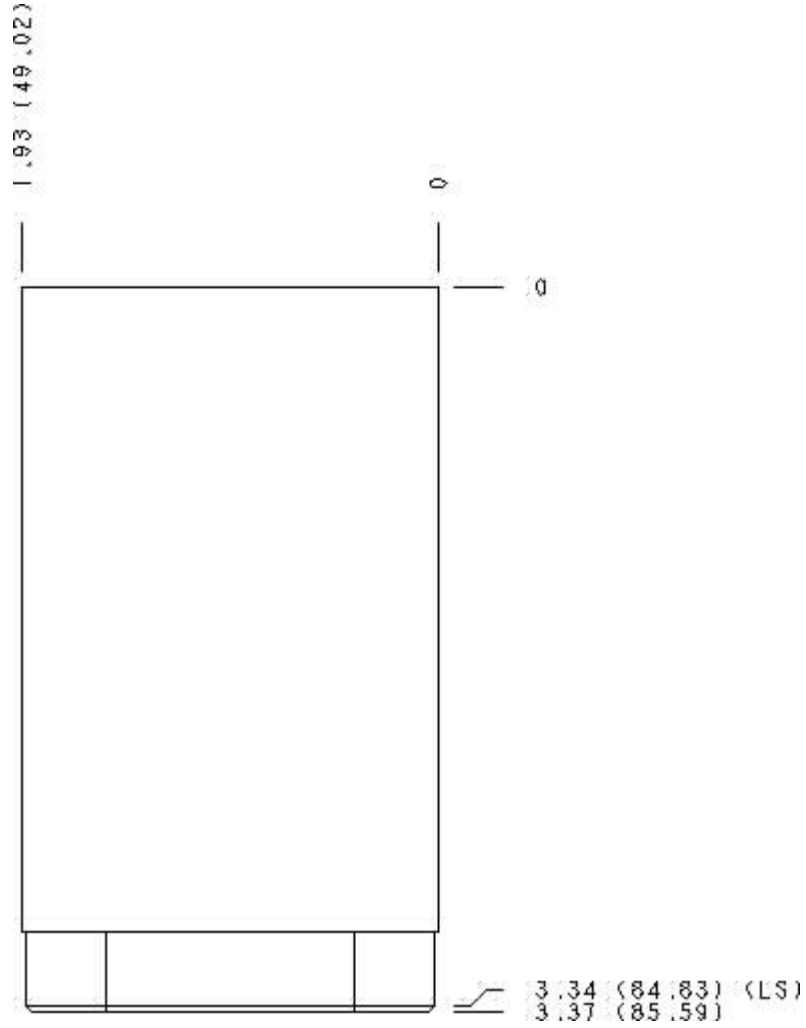
Cartridge extension measurement is to the centerline of the cartridge.



Functional Group:
 Products : Manifolds : Sandwich : Flow Control : ISO 05 : Meter in on B

Model:
 DBA

Face : 8



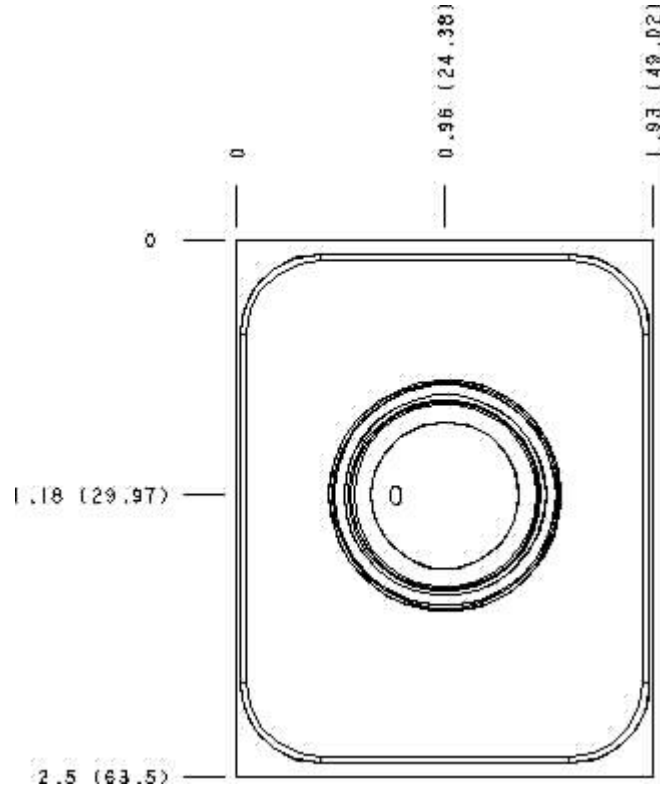
Cartridge extension measurement is to the centerline of the cartridge.



Functional Group:
 Products : Manifolds : Sandwich : Flow Control : ISO 05 : Meter in on B

Model:
 DBA

Face : 10



Cartridge extension measurement is to the centerline of the cartridge.



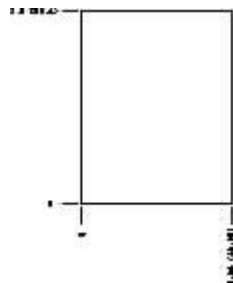
Functional Group:

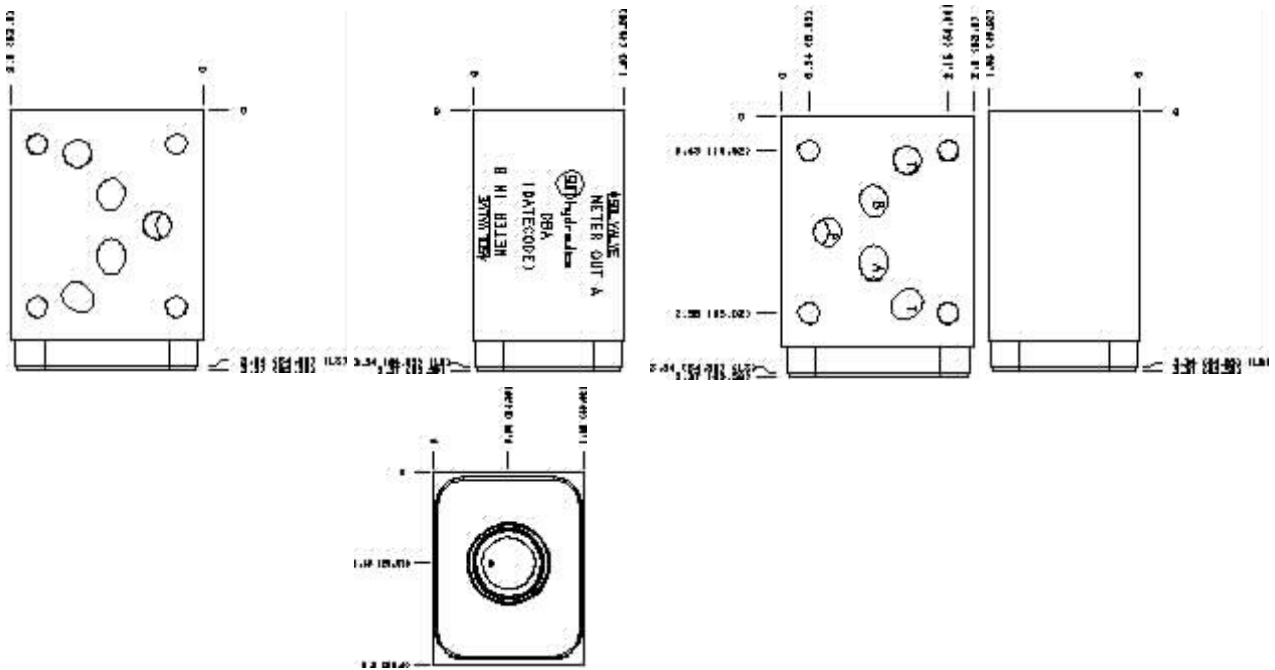
Products : Manifolds : Sandwich : Flow Control : ISO
05 : Meter in on B

Model:
DBA

Projection Type 

All Dimensions in Inches(mm)





Copyright © 2007-2008 Sun Hydraulics Corporation.
 All rights reserved.

[Terms and Conditions](#) - [Statement of Privacy](#)