

**TECHNICAL DATA**

Body Type	Line mount
Interface	None
Body Features	Ninety degree
Mounting Hole Diameter	.42 in.
Mounting Hole Depth	Through
Mounting Hole Quantity	1
Open Cavities	1
Cavity	T-5A
Port Size	SAE 8
Model Weight	0.56 lb.

**NOTES**

**Important:** Carefully consider the maximum system pressure. The pressure rating of the manifold is dependent on the manifold material, with the port type/size a secondary consideration. Manifolds constructed of aluminum are not rated for pressures higher than 3000 psi (210 bar), regardless of the port type/size specified.

**PORT DESIGNATORS**

Modifiers	Ports
DAJ, /S	All Ports: SAE 8;

**CONFIGURATION OPTIONS**

Model Code Example: **DAJ**

**MODIFIER**

- 6061-T651 Aluminum, Buna-N
- /S 65-45-12 Ductile Iron, Buna-N, Blackened

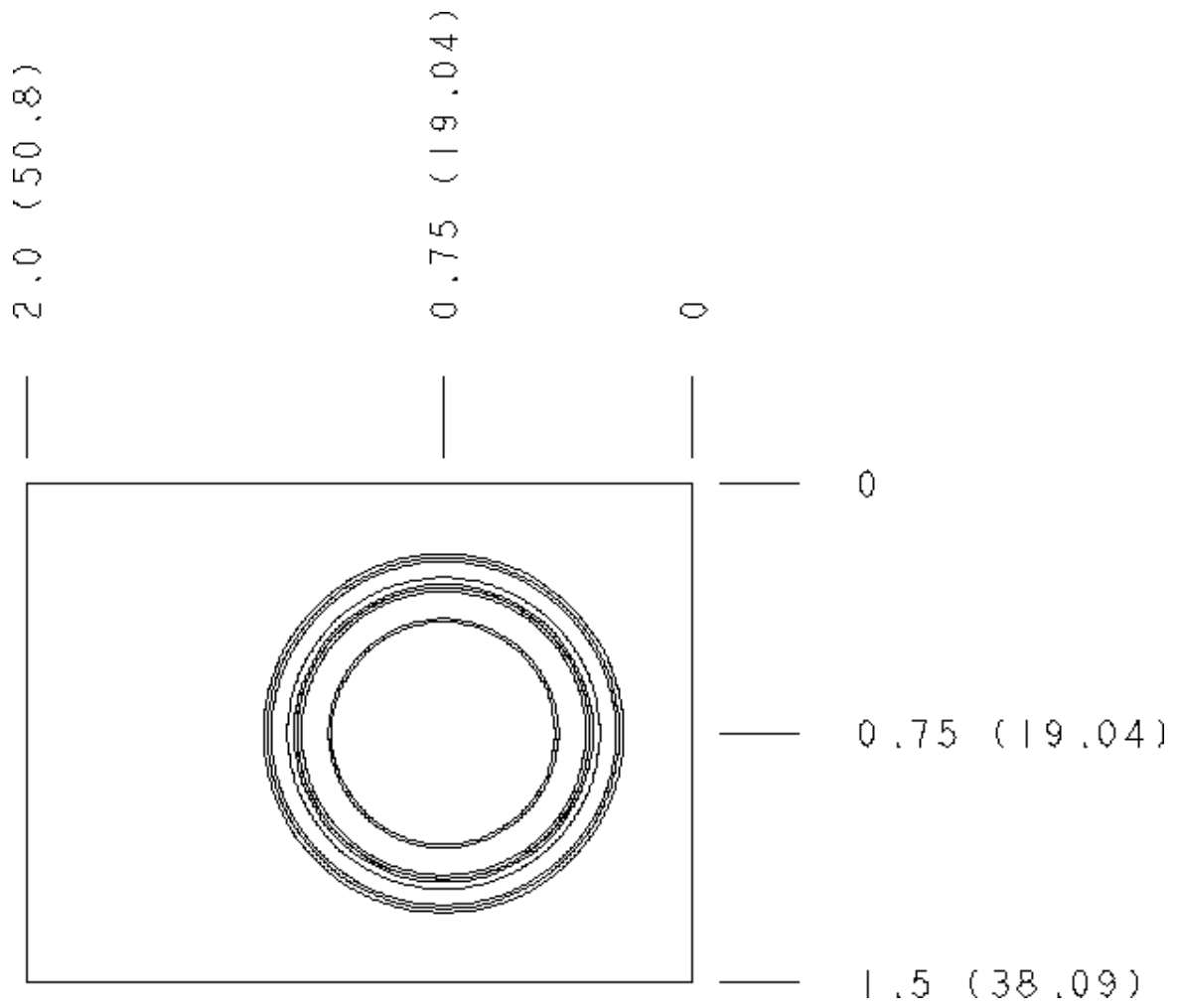
**MANIFOLD FACES**

**FACE GRID**

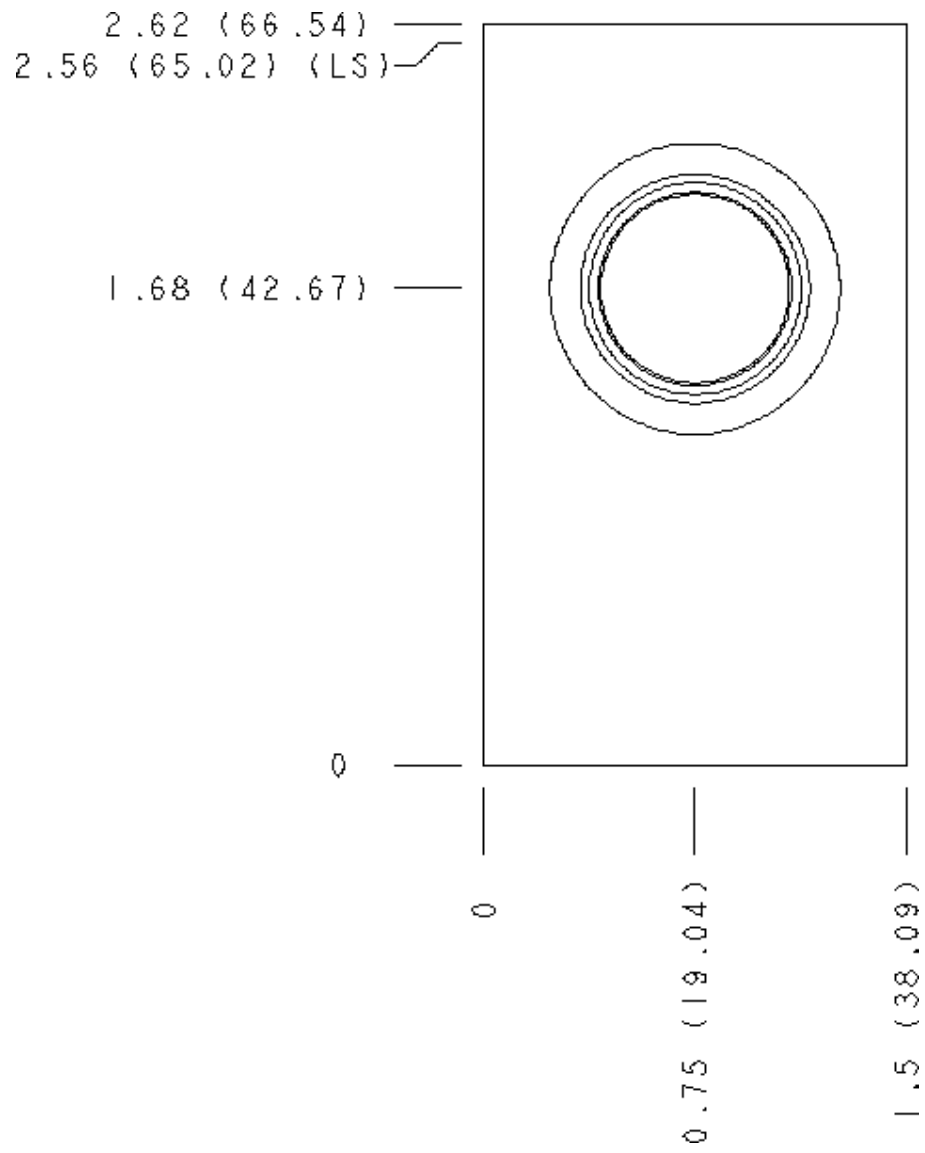


5	6	7	8
9	10	11	12

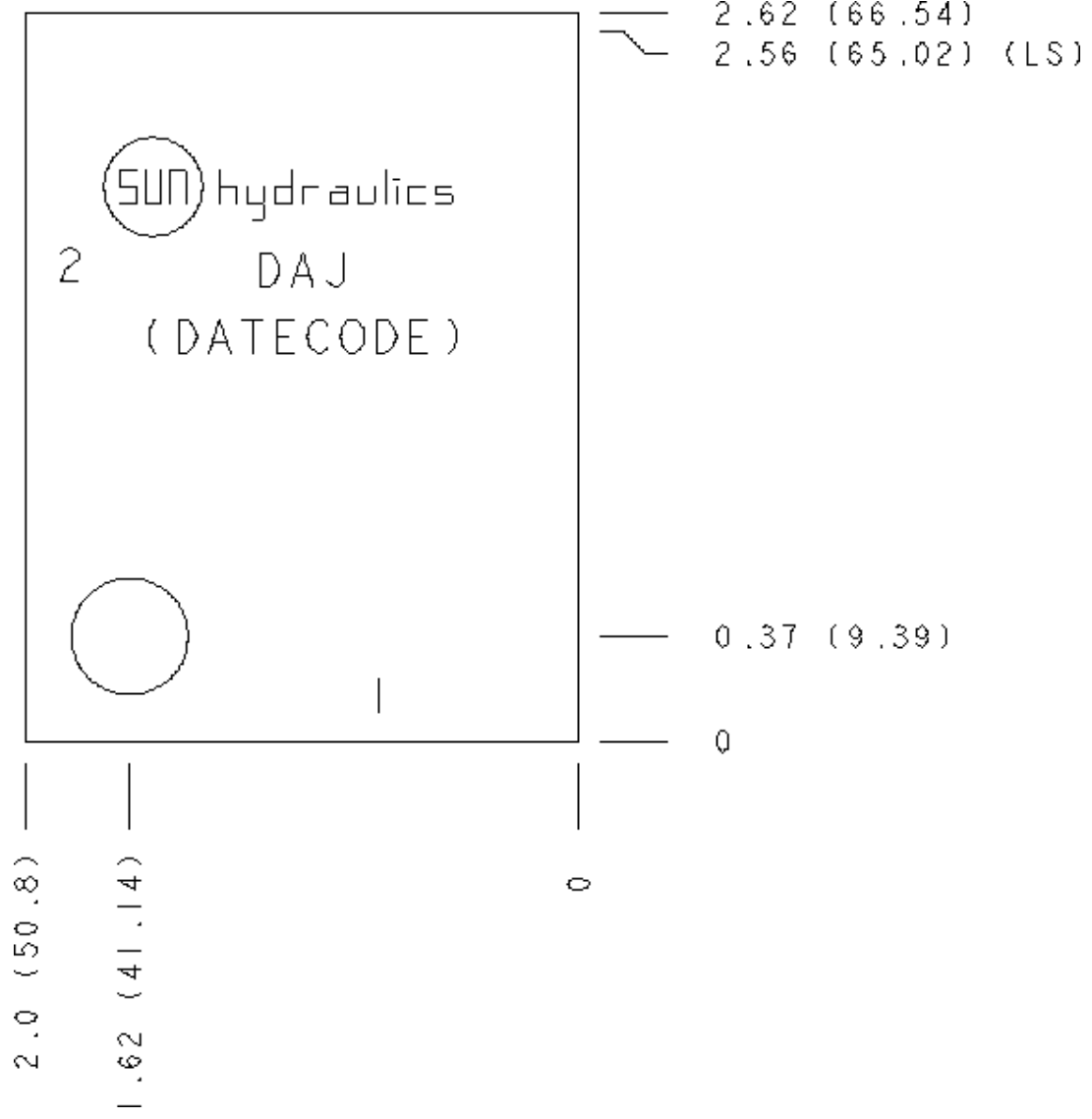
**Face 2**



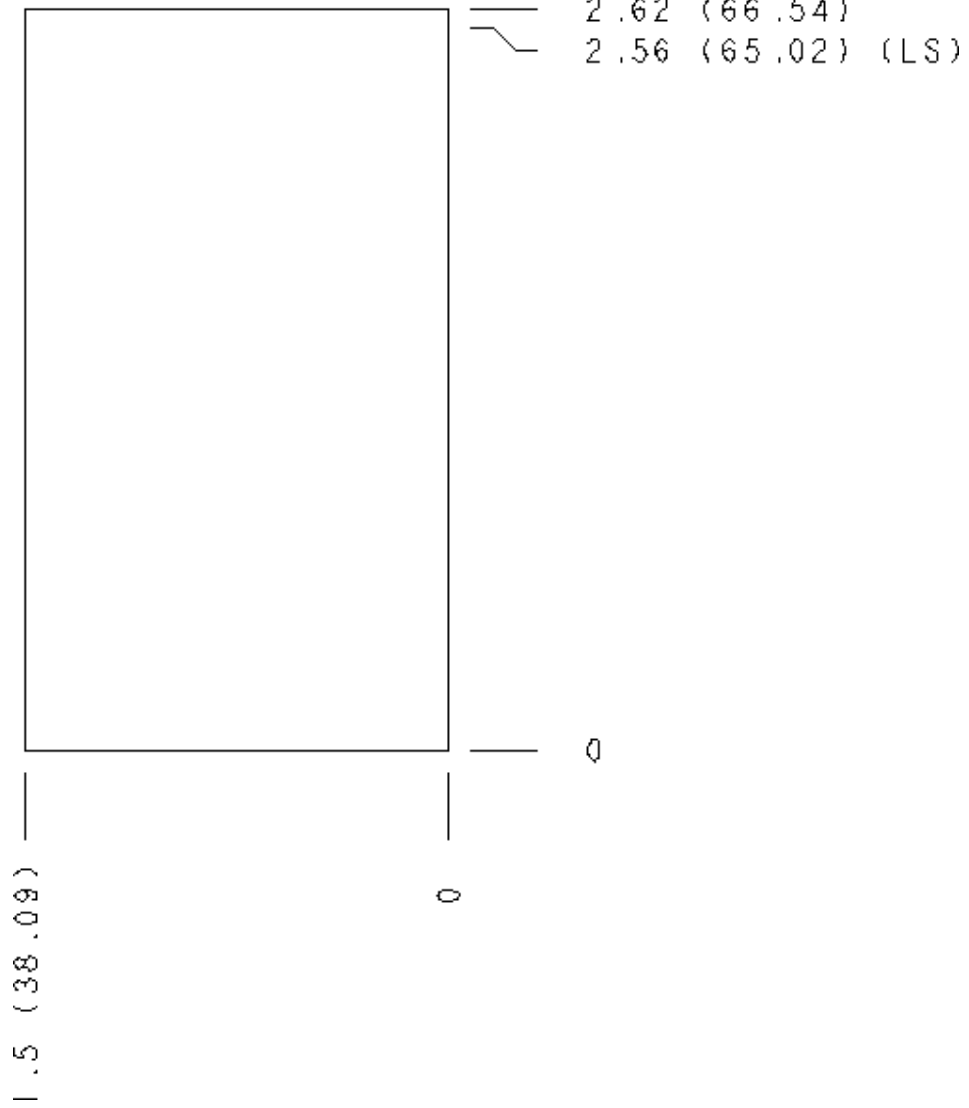
Face 5



Face 6

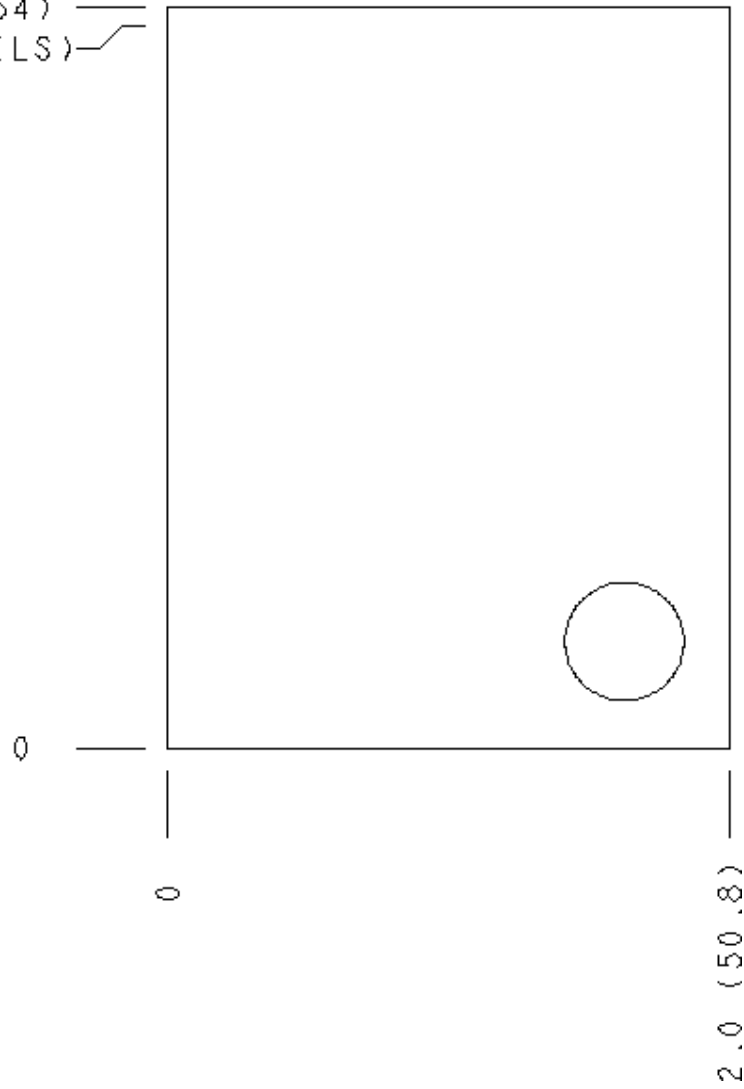


**Face 7**



**Face 8**

2.62 (66.54) ———  
2.56 (65.02) (LS) ———



Face 10

