

## Free flow nose to side check valve

Capacity:  
160 gpm (640 L/min.)

Functional Group:  
Products : Cartridges : Check : 2 Port : Free Flow Nose to Side

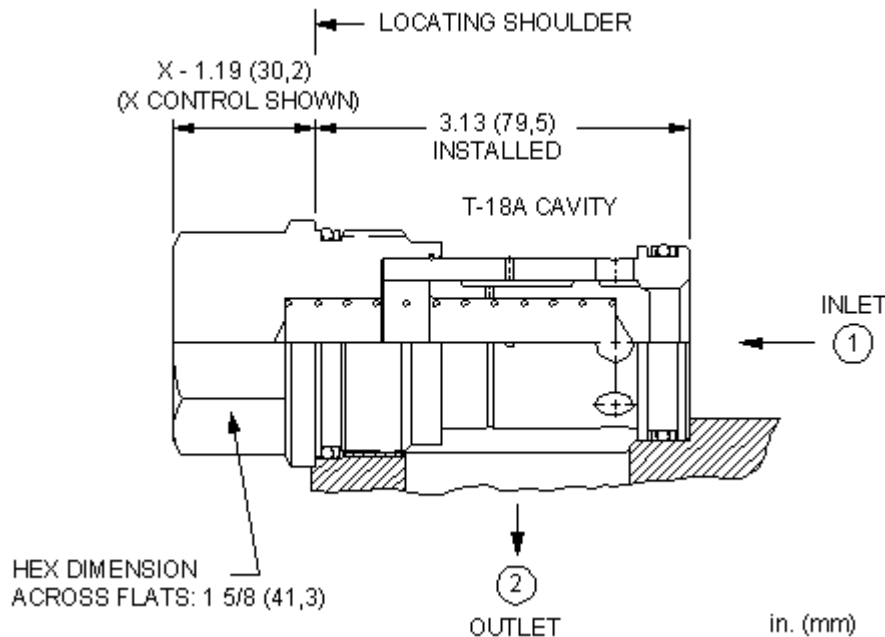
Model:  
CXJA-XCN

### Product Description

Free-flow, nose-to-side check valves are on/off circuit components that allow free flow from the inlet (port 1) to the outlet (port 2) and block flow in the opposite direction.



[Download](#)



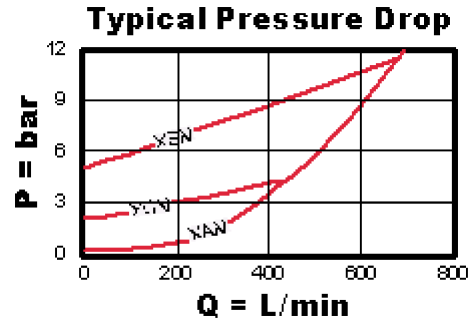
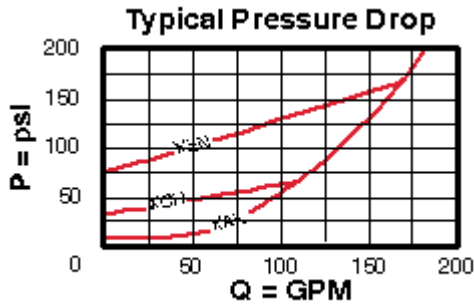
### Technical Features

- Two-port check valves share the same cavity for a given frame size, however, pay close attention as flow paths may be in opposite directions.
- Will accept 5000 psi (350 bar) at ports 1 and 2.
- Check valves offer extremely low leakage rates with a maximum leakage of less than 1 drop per minute.
- Stainless steel cartridge options P or W are intended for use within corrosive environments with all external components manufactured in stainless steel or titanium. Internal working components remain the same as the standard valves.
- Incorporates the Sun floating style construction to minimize the possibility of internal parts binding due to excessive installation torque and/or cavity/cartridge machining variations.

### Technical Data

|              | U.S. Units | Metric Units |
|--------------|------------|--------------|
| Model Weight | 2.09 lb.   | 0.95 kg.     |

|   |                    |              |
|---|--------------------|--------------|
| Cavity                                    | T-18A              |              |
| Capacity                                  | 160 gpm            | 640 L/min.   |
| Maximum Operating Pressure                | 5000 psi           | 350 bar      |
| Maximum Valve Leakage at 110 SUS (24 cSt) | 1 drops/min.       | 0,07 cc/min. |
| Series (from Cavity)                      | Series 4           |              |
| Valve Hex Size                            | 1 5/8 in.          | 41,3 mm      |
| Valve Installation Torque                 | 350 - 375 lbf ft   | 465 - 500 Nm |
| Seal Kits                                 | Buna: 990-018-007  |              |
| Seal Kits                                 | Viton: 990-018-006 |              |



## CXJA-XCN

Control

Cracking Pressure

External Material/Seal Material

X Not Adjustable +0.00

C 30 psi (2 bar) +0.00

N Buna-N +0.00

If the control is L, the range must be B or C

If the material/seal is P, the control must be X

If the material/seal is W, the control must be X