

Free flow nose to side check valve

Capacity:
20 gpm (80 L/min.)

Functional Group:
Products : Cartridges : Check : 2 Port : Free Flow Nose to Side

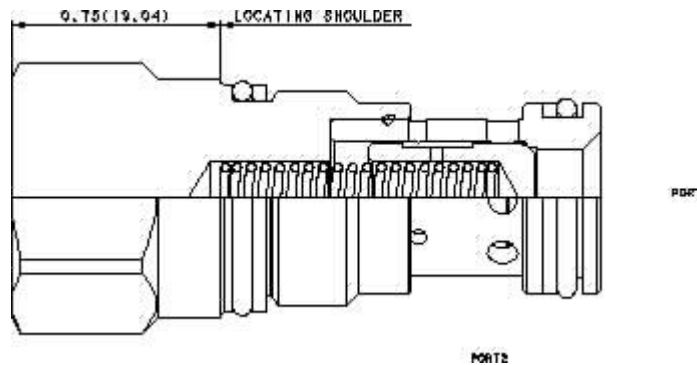
Model:
CXDA-XCV

Product Description

Free-flow, nose-to-side check valves are on/off circuit components that allow free flow from the inlet (port 1) to the outlet (port 2) and block flow in the opposite direction.



[Download](#)

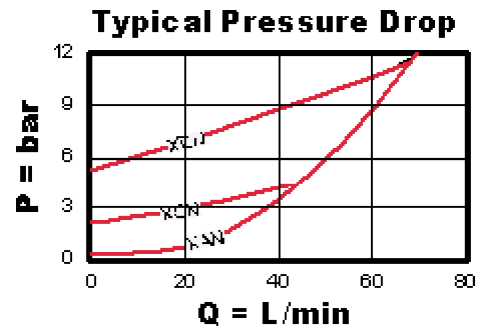
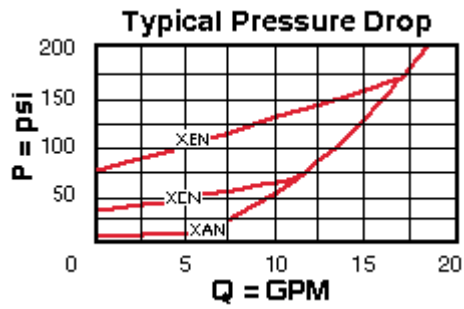


Technical Features

- Two-port check valves share the same cavity for a given frame size, however, pay close attention as flow paths may be in opposite directions.
- Will accept 5000 psi (350 bar) at ports 1 and 2.
- Check valves offer extremely low leakage rates with a maximum leakage of less than 1 drop per minute.
- Stainless steel cartridge options P or W are intended for use within corrosive environments with all external components manufactured in stainless steel or titanium. Internal working components remain the same as the standard valves.
- Incorporates the Sun floating style construction to minimize the possibility of internal parts binding due to excessive installation torque and/or cavity/cartridge machining variations.

Technical Data

| | U.S. Units | Metric Units |
|---|--------------------|--------------|
| Model Weight | 0.24 lb. | 0.11 kg. |
| Cavity | T-13A | |
| Capacity | 20 gpm | 80 L/min. |
| Maximum Operating Pressure | 5000 psi | 350 bar |
| Maximum Valve Leakage at 110 SUS (24 cSt) | 1 drops/min. | 0,07 cc/min. |
| Series (from Cavity) | Series 1 | |
| Valve Hex Size | 7/8 in. | 22,2 mm |
| Valve Installation Torque | 30 - 35 lbf ft | 45 - 50 Nm |
| Seal Kits | Buna: 990-010-007 | |
| Seal Kits | Viton: 990-010-006 | |



CXDA-XCV

Control

Cracking Pressure

External Material/Seal
Material

X Not Adjustable +0.00

C 30 psi (2 bar) +0.00

V Viton +3.50

If the material/seal is P, the control must be X
If the material/seal is W, the control must be X