

Pilot-to-close check valve

Capacity:
160 gpm (640 L/min.)

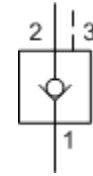
Functional Group:

Products : Cartridges : Circuit Saver : 3 Port : Pilot-to-Close Check Valve

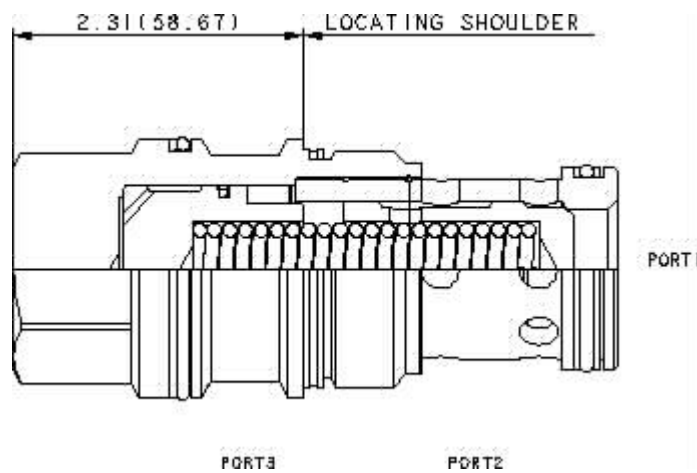
Model:
COJA-XEN

Product Description

This valve is a spring biased closed, pilot-to-close check cartridge that has a 1.8:1 pilot ratio. The valve allows flow from port 1 to port 2 and blocks reverse flow. Pressure at the pilot port opposes pressure at port 1 at a ratio of 1.8:1. This valve is most often used in regeneration circuits.



[Download](#)



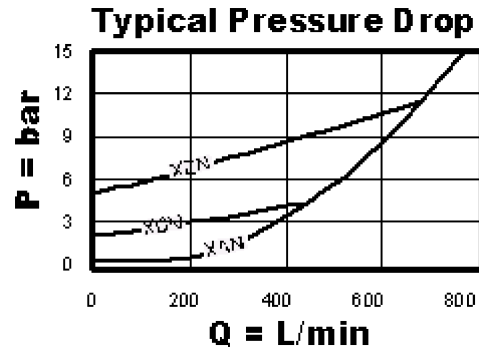
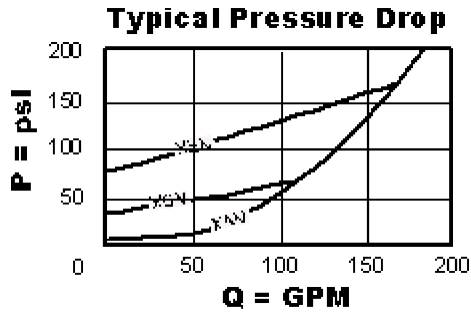
Technical Features

- Nominal pilot ratio is 1.8:1. This means that a pressure of 1000 psi (70 bar) at the pilot port will close a valve against a pressure of 1800 psi (125 bar) at port 1. Any decay or loss of pilot pressure could allow the valve to open, even if it is a momentary decay or loss.
- Reverse flow through the valve from port 2 to port 1 is not possible under any condition.
- In the beginning the CO*A's did not have a positive seal on the pilot pistons and the CO*B's did. Now the CO*A's are positively sealed and the 2 valves are mechanically identical. CO*A's are more readily available and cost less.
- Incorporates the Sun floating style construction to minimize the possibility of internal parts binding due to excessive installation torque and/or cavity/cartridge machining variations.
- Pressure at the port 2 area directly opposes pilot pressure.
- With equal pressures at all ports the valve is closed.
- Stainless steel cartridge options P or W are intended for use within corrosive environments with all external components manufactured in stainless steel or titanium. Internal working components remain the same as the standard valves.

Technical Data

	U.S. Units	Metric Units
Model Weight	2.64 lb.	1.20 kg.

Cavity	T-19A	
Capacity	160 gpm	640 L/min.
Pilot Ratio	1.8: 1	
Maximum Operating Pressure	5000 psi	350 bar
Maximum Valve Leakage at 110 SUS (24 cSt)	1 drops/min.	0,07 cc/min.
Series (from Cavity)	Series 4	
Valve Hex Size	1 5/8 in.	41,3 mm
Valve Installation Torque	350 - 375 lbf ft	465 - 500 Nm
Seal Kits	Buna: 990-019-007	
Seal Kits	Viton: 990-019-006	



COJA-XEN

Control

Cracking Pressure

External Material/Seal Material

X Standard Pilot +0.00

E 75 psi (5 bar) +0.00

N Buna-N +0.00

If the material/seal is P, the control must be X
 If the material/seal is W, the control must be X