

## Pilot-to-close check valve

Capacity:  
40 gpm (160 L/min.)

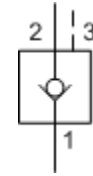
Functional Group:

Products : Cartridges : Circuit Saver : 3 Port : Pilot-to-Close Check Valve

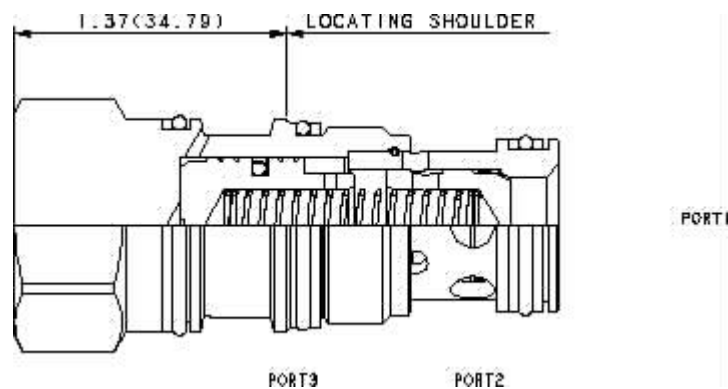
Model:  
COFA-XAN

### Product Description

This valve is a spring biased closed, pilot-to-close check cartridge that has a 1.8:1 pilot ratio. The valve allows flow from port 1 to port 2 and blocks reverse flow. Pressure at the pilot port opposes pressure at port 1 at a ratio of 1.8:1. This valve is most often used in regeneration circuits.



[Download](#)



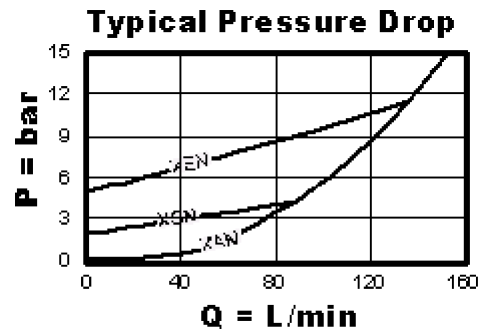
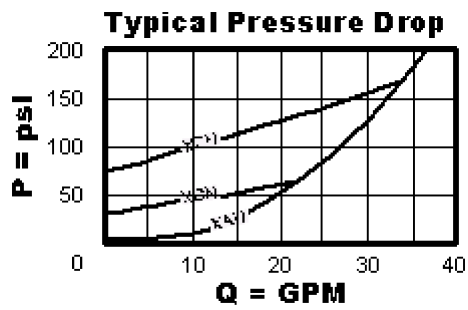
### Technical Features

- Nominal pilot ratio is 1.8:1. This means that a pressure of 1000 psi (70 bar) at the pilot port will close a valve against a pressure of 1800 psi (125 bar) at port 1. Any decay or loss of pilot pressure could allow the valve to open, even if it is a momentary decay or loss.
- Reverse flow through the valve from port 2 to port 1 is not possible under any condition.
- In the beginning the CO\*A's did not have a positive seal on the pilot pistons and the CO\*B's did. Now the CO\*A's are positively sealed and the 2 valves are mechanically identical. CO\*A's are more readily available and cost less.
- Incorporates the Sun floating style construction to minimize the possibility of internal parts binding due to excessive installation torque and/or cavity/cartridge machining variations.
- Pressure at the port 2 area directly opposes pilot pressure.
- With equal pressures at all ports the valve is closed.
- Stainless steel cartridge options P or W are intended for use within corrosive environments with all external components manufactured in stainless steel or titanium. Internal working components remain the same as the standard valves.

### Technical Data

	U.S. Units	Metric Units
Model Weight	0.49 lb.	0.22 kg.
Cavity	T-2A	
Capacity	40 gpm	160 L/min.
Pilot Ratio	1.8:1	

Maximum Operating Pressure	5000 psi	350 bar
Maximum Valve Leakage at 110 SUS (24 cSt)	1 drops/min.	0,07 cc/min.
Series (from Cavity)	Series 2	
Valve Hex Size	1 1/8 in.	28,6 mm
Valve Installation Torque	45 - 50 lbf ft	60 - 70 Nm
Seal Kits	Buna: 990-202-007	
Seal Kits	Viton: 990-202-006	



### COFA-XAN

Control

Cracking Pressure

External Material/Seal Material

X Standard Pilot +0.00

A 4 psi (0,3 bar) +1.00

N Buna-N +0.00

If the material/seal is P, the control must be X  
 If the material/seal is W, the control must be X