

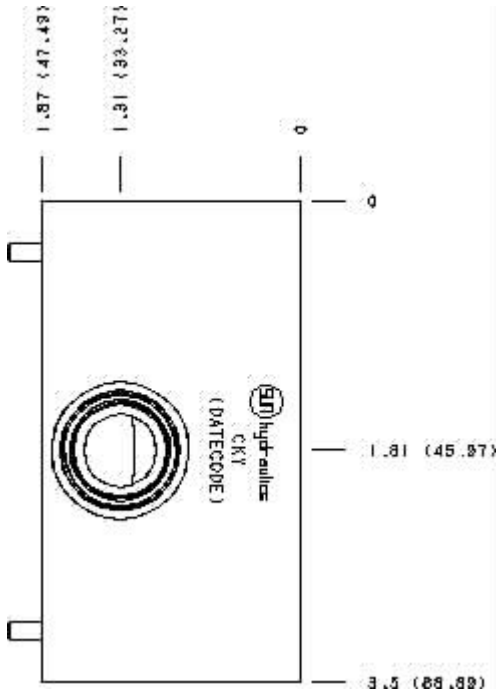
Functional Group:

Products : Manifolds : Sandwich : Relief : ISO 07 : A to B and B to A

Model:

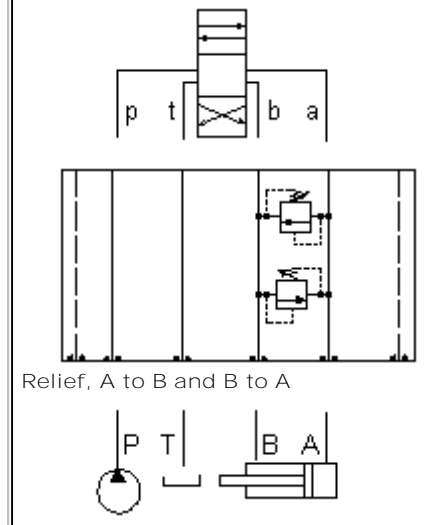
CKY

Face : 5



Cartridge extension measurement is to the centerline of the cartridge.

Function



Aluminum Body Pressure Rating: **3000 psi (210 bar)**
 Ductile Iron Body Pressure Rating: **5000 psi (350 bar)**

Technical Data

	U.S. Units	Metric Units
Model Weight	2.58 lb.	1.17 kg.
Cavity	T-10A	
Body Features	A to B and B to A	
Body Type	Sandwich	
Interface	ISO 07	
Open Cavity Quantity	2	
Stack Height	1.97 in.	50 mm

Option Selection:

Model Code	Description
CKY	Aluminum, Buna-N, U.S. Units
CKY/S	Ductile Iron, Buna-N, U.S. Units
CKY/V	Aluminum, Viton, U.S. Units
CKY/Y	Ductile Iron, Viton, U.S. Units

Special Notes :

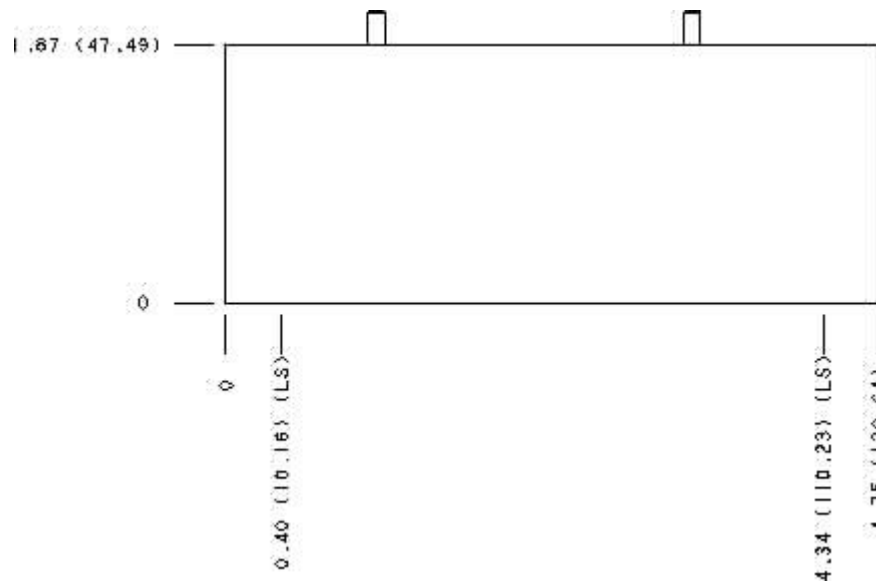
No Special Notes available for selected Model.



Functional Group:
Products : Manifolds : Sandwich : Relief : ISO 07 : A to B and B to A

Model:
CKY

Face : 2

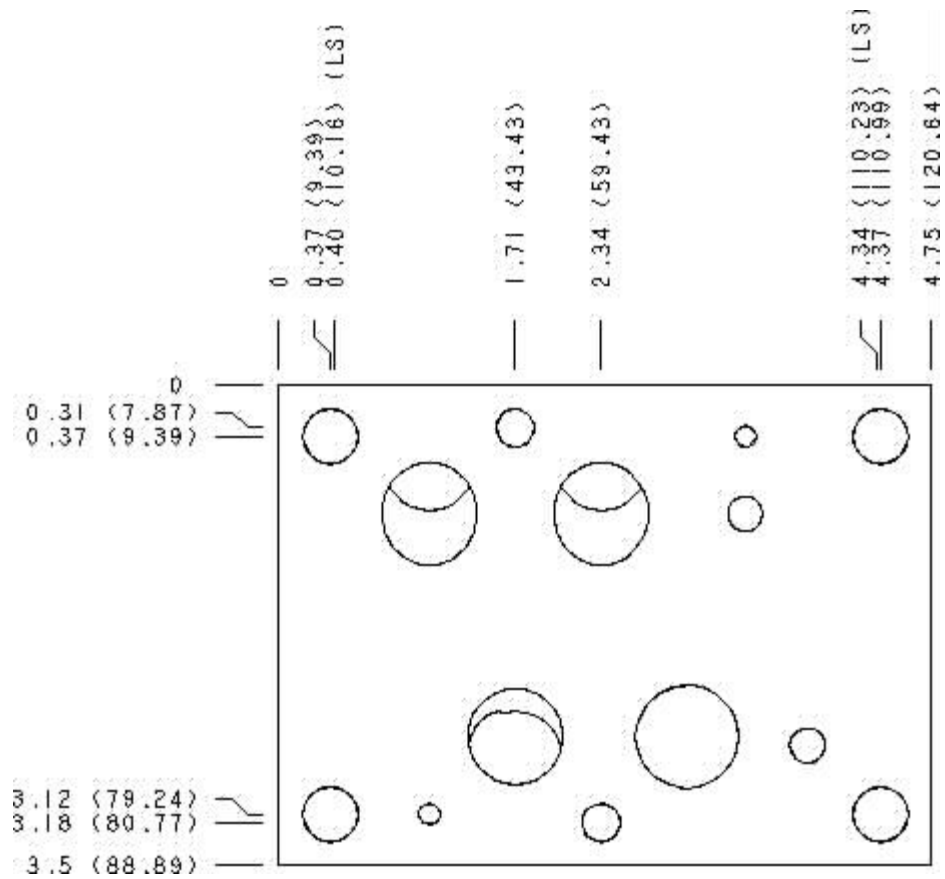


Cartridge extension measurement is to the centerline of the cartridge.



Functional Group:
Products : Manifolds : Sandwich : Relief : ISO 07 : A to B and B to A

Model:
CKY

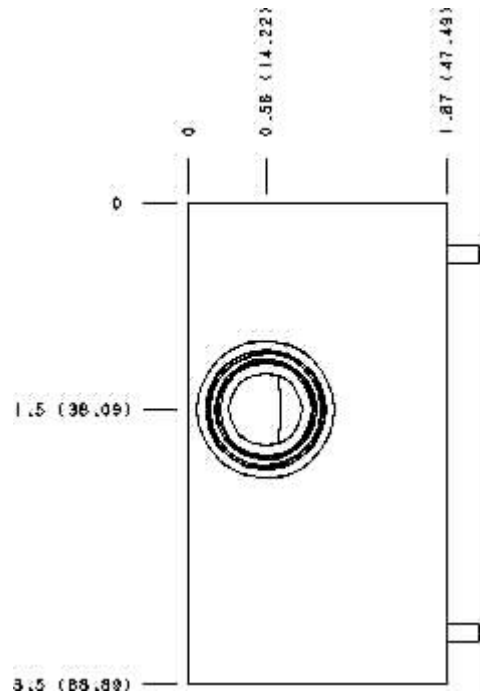


Cartridge extension measurement is to the centerline of the cartridge.



Functional Group:
 Products : Manifolds : Sandwich : Relief : ISO 07 : A to B and B to A

Model:
 CKY



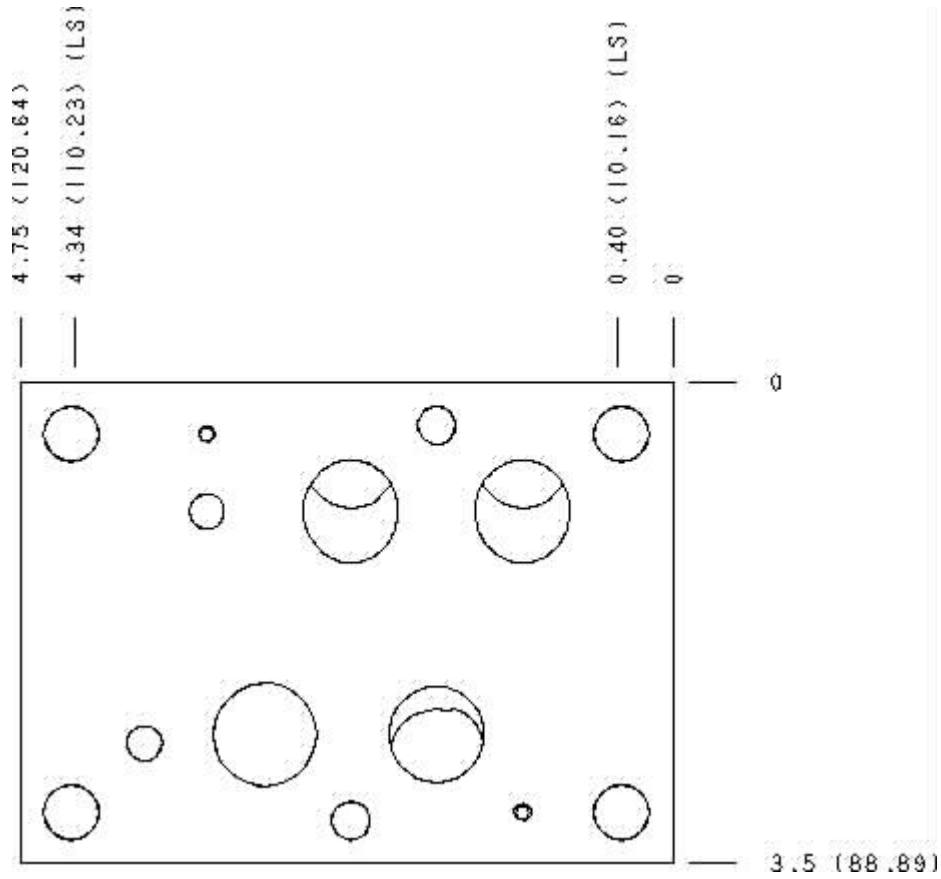
Cartridge extension measurement is to the centerline of the cartridge.



Functional Group:
Products : Manifolds : Sandwich : Relief : ISO 07 : A to B and B to A

Model:
CKY

Face : 8



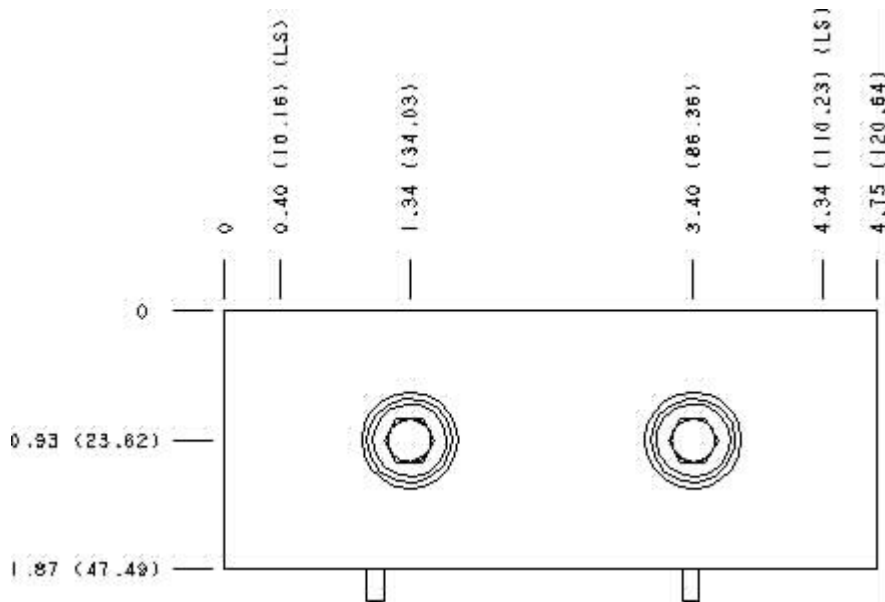
Cartridge extension measurement is to the centerline of the cartridge.



Functional Group:
 Products : Manifolds : Sandwich : Relief : ISO 07 : A to B and B to A

Model:
 CKY

Face : 10



Functional Group:

Products : Manifolds : Sandwich : Relief : ISO 07 : A to B and B to A

Model:
CKY

Projection Type 

All Dimensions in Inches(mm)

