

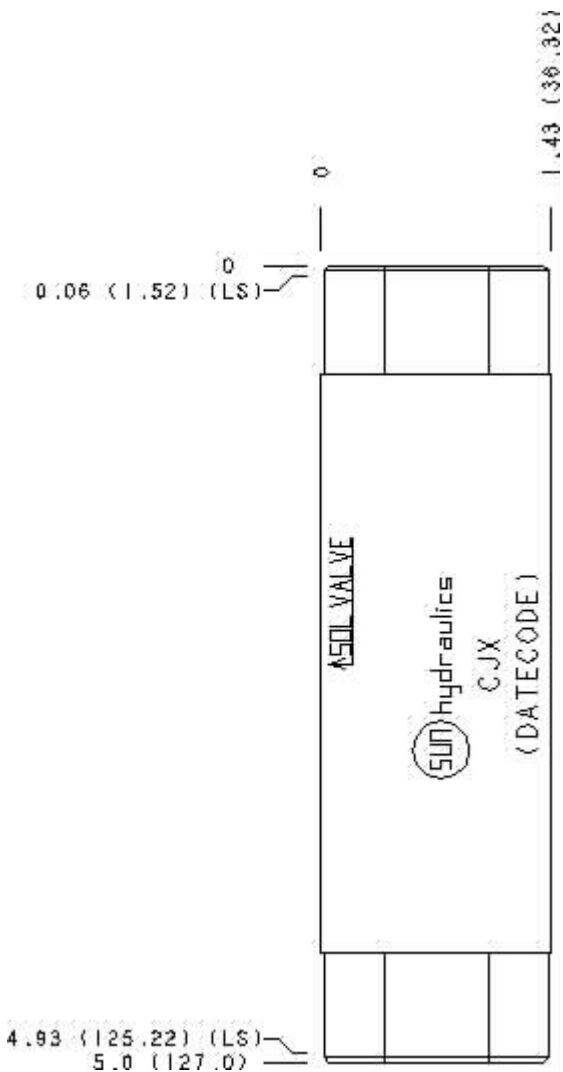
Functional Group:

Model:

Products : Manifolds : Sandwich : Relief : ISO 05 X and Y : A and B to T high capacity

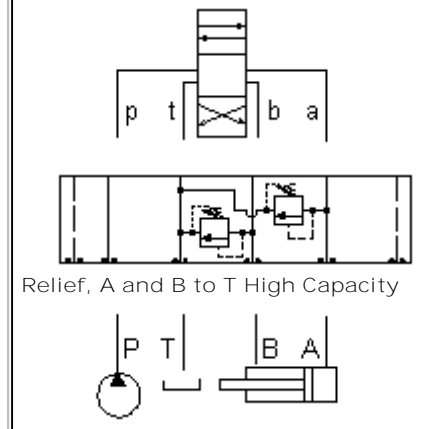
CJX

Face : 7



Cartridge extension measurement is to the centerline of the cartridge.

Function



Aluminum Body Pressure Rating: **3000 psi (210 bar)**
 Ductile Iron Body Pressure Rating: **5000 psi (350 bar)**

Technical Data

	U.S. Units	Metric Units
Model Weight	1.25 lb.	0.57 kg.
Cavity	T-3A	
Body Features	A and B to T	

Body Type	Sandwich	
Interface	ISO 05 - X&Y	
Open Cavity Quantity	2	
Stack Height	1.49 in.	38 mm

Option Selection:

Model Code	Description
CJX	Aluminum, Buna-N, U.S. Units
CJX/S	Ductile Iron, Buna-N, U.S. Units

Special Notes :

No Special Notes available for selected Model.

Related Information :

- 1 [The retainer and seal kit used with this ISO 05 X and Y sandwich determines which pattern, either European or US, is active. It must be ordered separately. Click here for more information.](#)



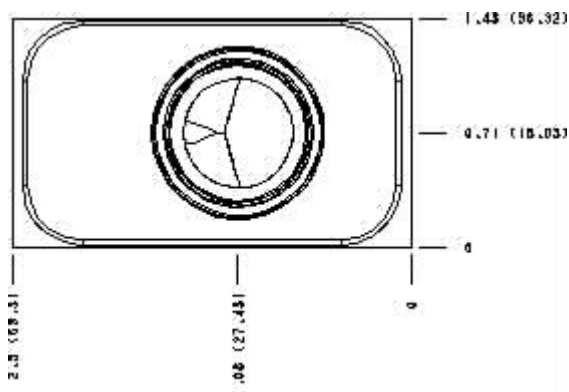
Functional Group:

Products : Manifolds : Sandwich : Relief : ISO 05 X and Y : A and B to T high capacity

Model:

CJX

Face : 2

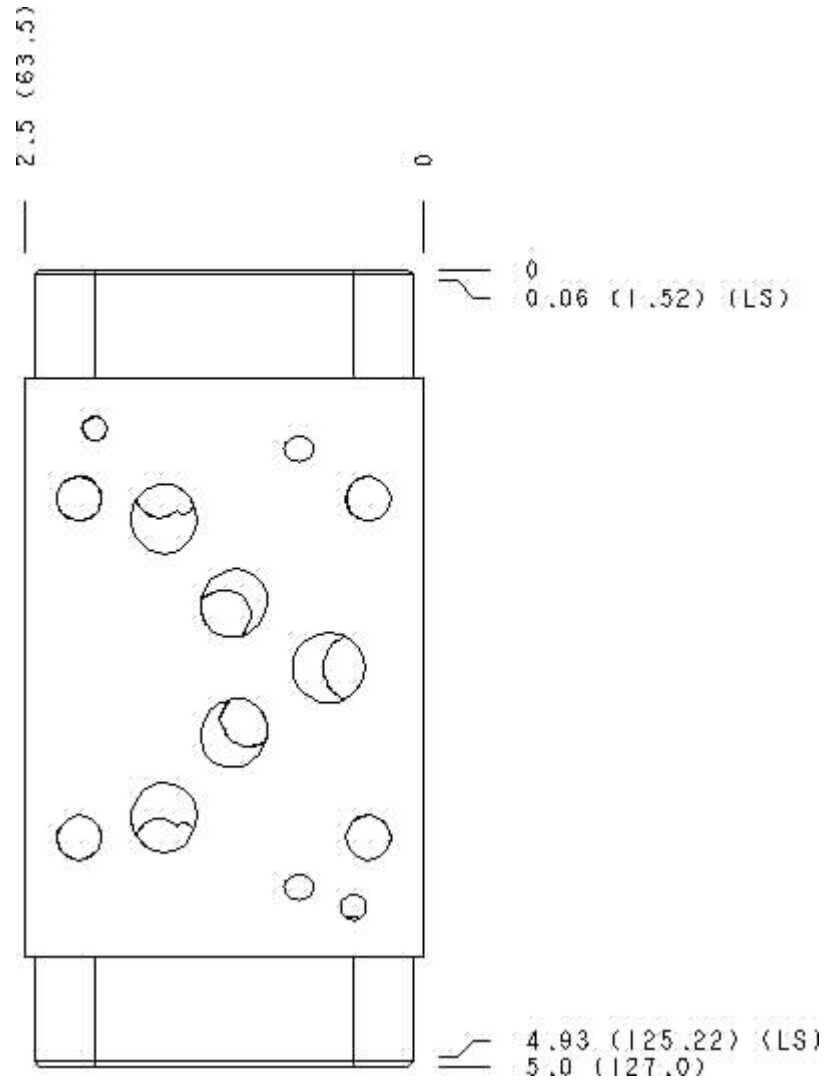


Cartridge extension measurement is to the centerline of the cartridge.

Functional Group:
Products : Manifolds : Sandwich : Relief : ISO 05 X and Y : A and B to T high capacity

Model:
CJX

Face : 6

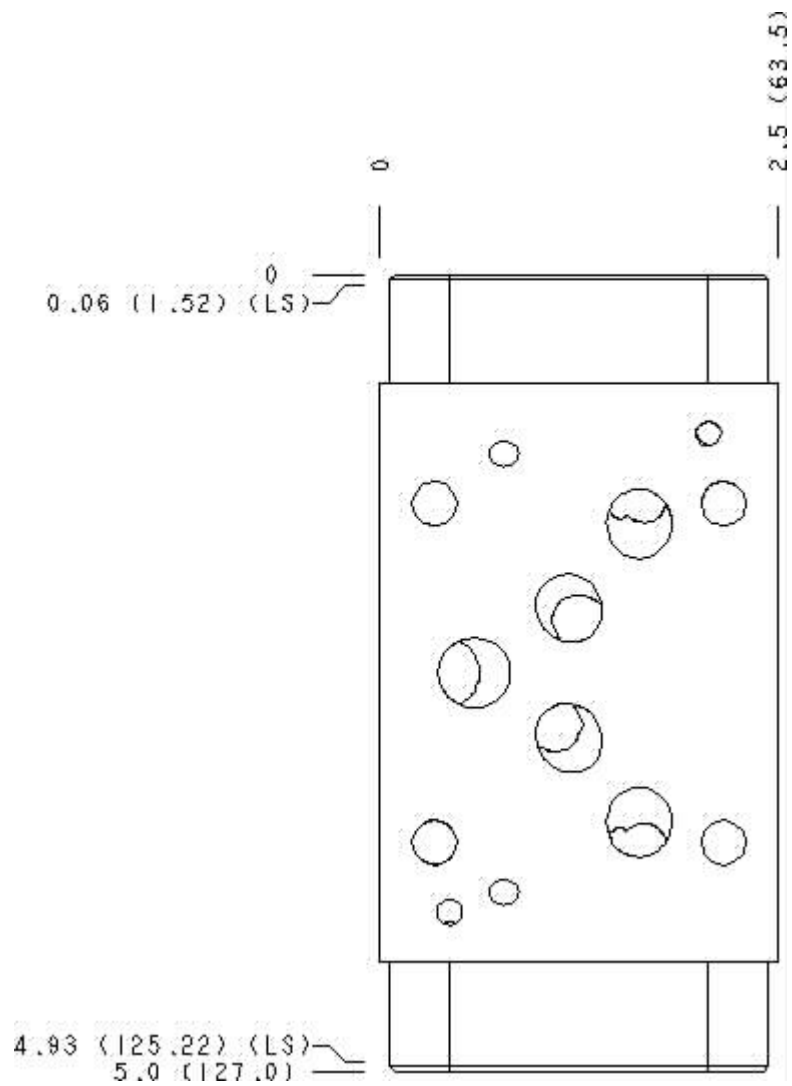


Cartridge extension measurement is to the centerline of the cartridge.

Functional Group:
Products : Manifolds : Sandwich : Relief : ISO 05 X and Y : A and B to T high capacity

Model:
CJX

Face : 8



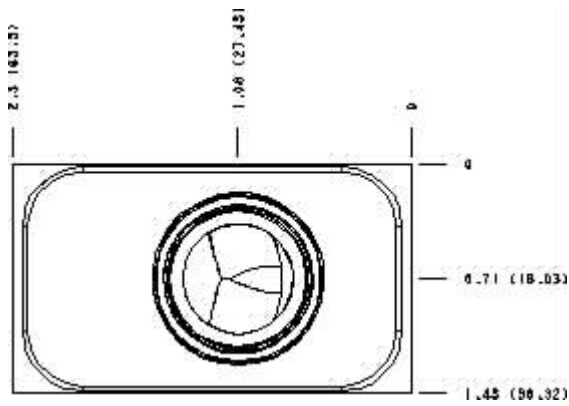
Cartridge extension measurement is to the centerline of the cartridge.



Functional Group:
 Products : Manifolds : Sandwich : Relief : ISO 05 X and Y : A and B to T high capacity

Model:
 CJX

Face : 10



Cartridge extension measurement is to the centerline of the cartridge.



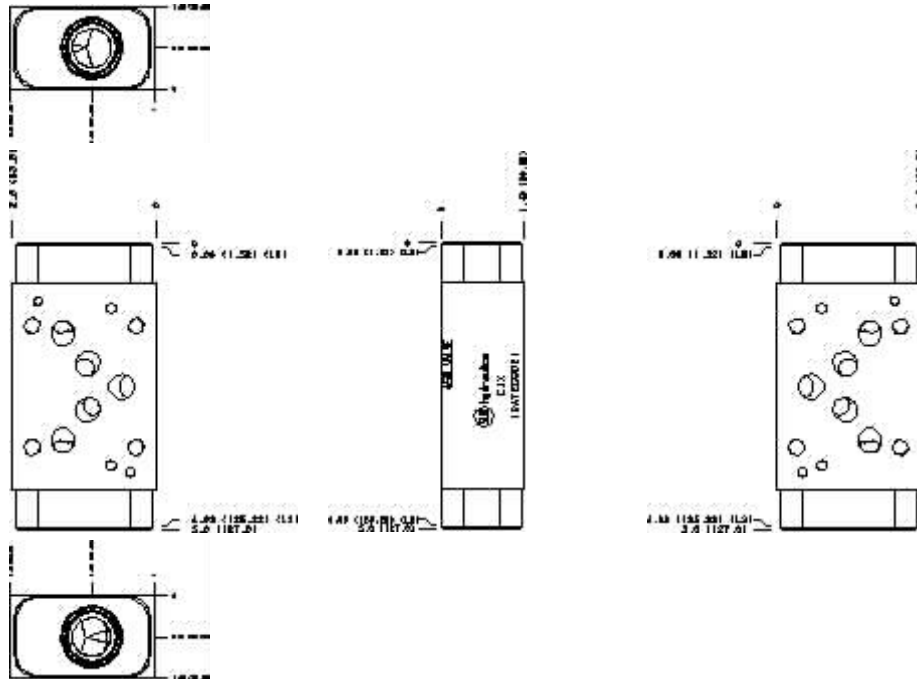
Functional Group:

Products : Manifolds : Sandwich : Relief : ISO 05 X and Y : A and B to T high capacity

Model:
CJX

Projection Type

All Dimensions in Inches(mm)



Copyright © 2007-2008 Sun Hydraulics Corporation.
All rights reserved.

[Terms and Conditions](#) - [Statement of Privacy](#)