

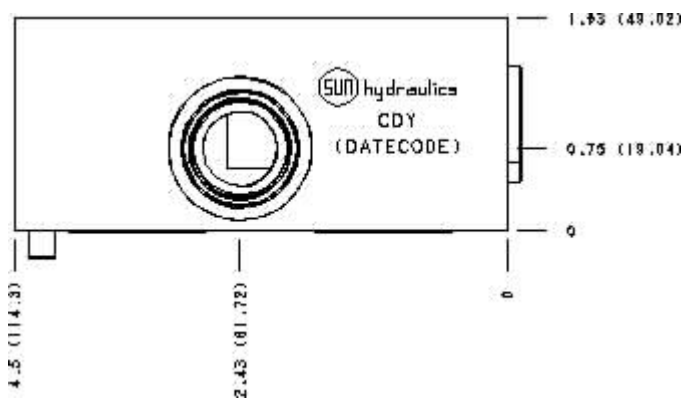
Functional Group:

Products : Manifolds : Sandwich : Relief : ISO 08 : A to B and B to A

Model:

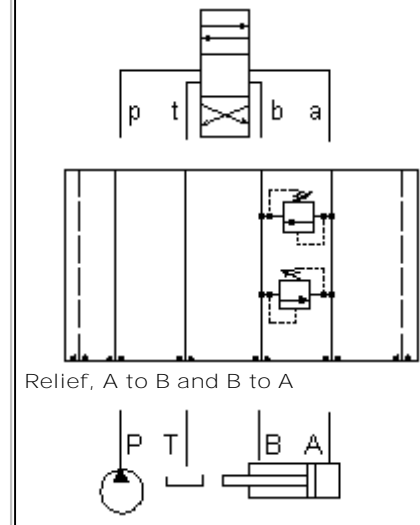
CDY

Face : 10



Cartridge extension measurement is to the centerline of the cartridge.

Function



Aluminum Body Pressure Rating: **3000 psi (210 bar)**

Ductile Iron Body Pressure Rating: **5000 psi (350 bar)**

Technical Data

	U.S. Units	Metric Units
Model Weight	3.80 lb.	1.72 kg.
Cavity	T-3A	
Body Features	A to B and B to A	
Body Type	Sandwich	
Interface	ISO 08	
Open Cavity Quantity	2	
Stack Height	1.94 in.	49 mm

Option Selection:

Model Code	Description
CDY	Aluminum, Buna-N, U.S. Units
CDY/S	Ductile Iron, Buna-N, U.S. Units
CDY/V	Aluminum, Viton, U.S.

CDY/Y

Units
Ductile Iron, Viton,
U.S. Units

Special Notes :

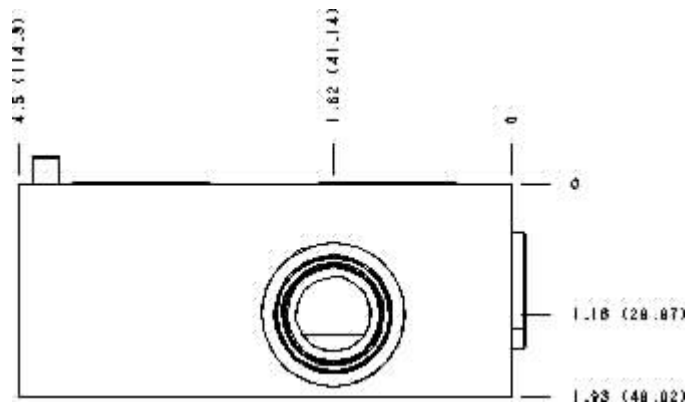
No Special Notes available for selected Model.



Functional Group:
Products : Manifolds : Sandwich : Relief : ISO 08 : A to B and B to A

Model:
CDY

Face : 2



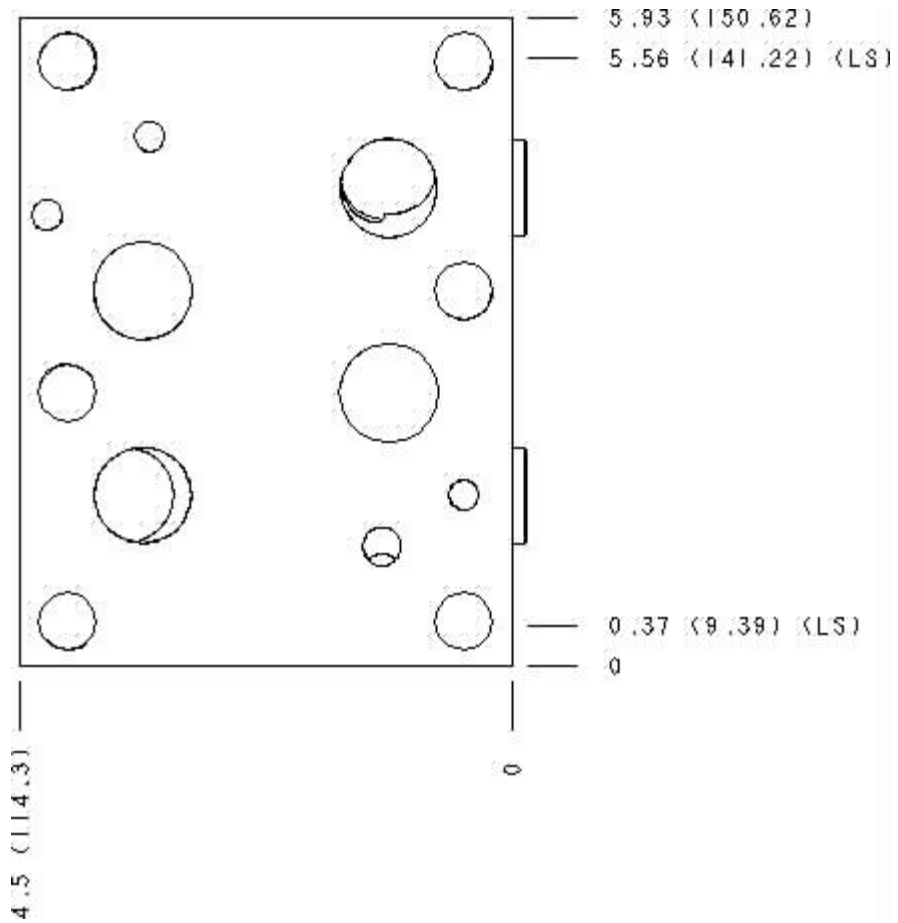
Cartridge extension measurement is to the centerline of the cartridge.



Functional Group:
Products : Manifolds : Sandwich : Relief : ISO 08 : A to B and B to A

Model:
CDY

Face : 6



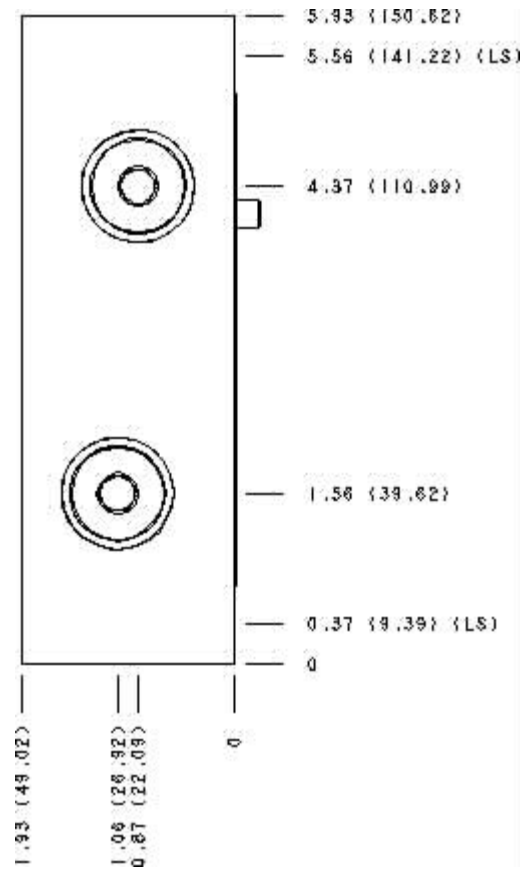
Cartridge extension measurement is to the centerline of the cartridge.



Functional Group:
 Products : Manifolds : Sandwich : Relief : ISO 08 : A to B and B to A

Model:
 CDY

Face : 7



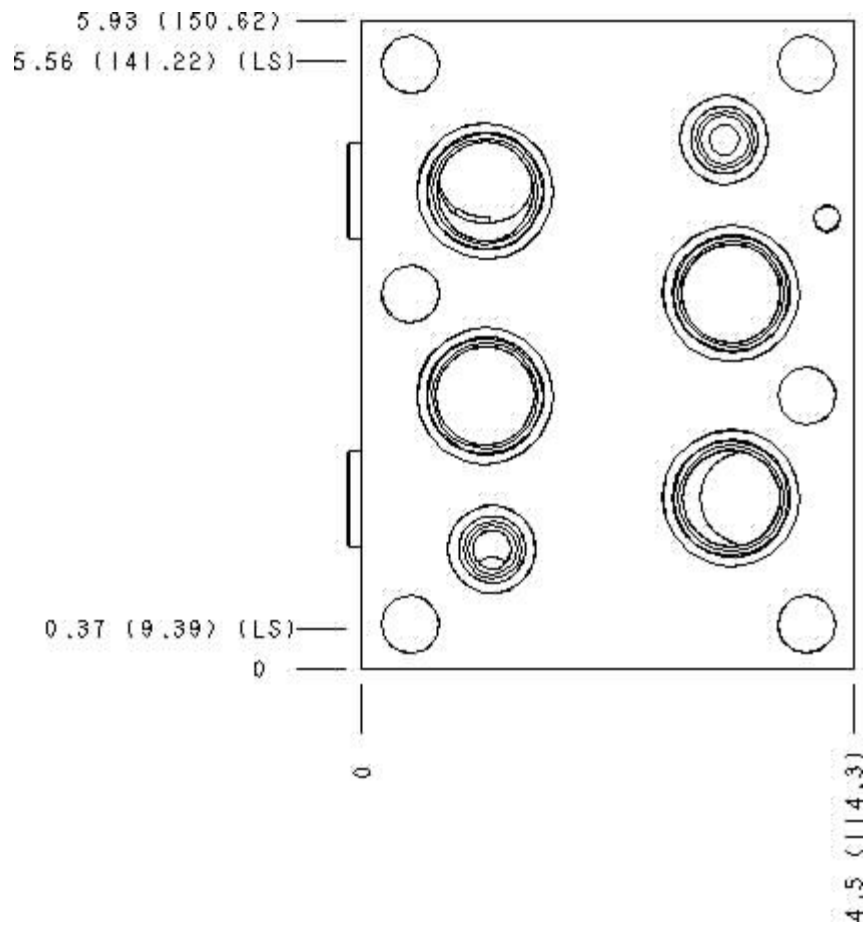
Cartridge extension measurement is to the centerline of the cartridge.



Functional Group:
 Products : Manifolds : Sandwich : Relief : ISO 08 : A to B and B to A

Model:
 CDY

Face : 8



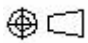
Cartridge extension measurement is to the centerline of the cartridge.



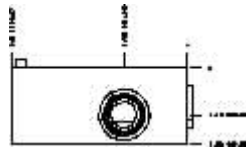
Functional Group:

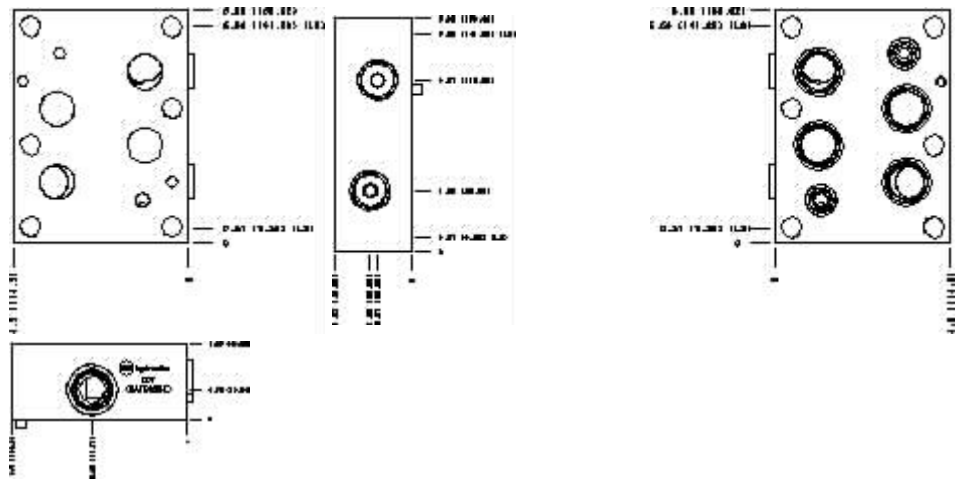
Products : Manifolds : Sandwich : Relief : ISO 08 : A to B and B to A

Model:
 CDY

Projection Type 

All Dimensions in Inches(mm)





Copyright © 2007-2008 Sun Hydraulics Corporation.
All rights reserved.

[Terms and Conditions](#) - [Statement of Privacy](#)