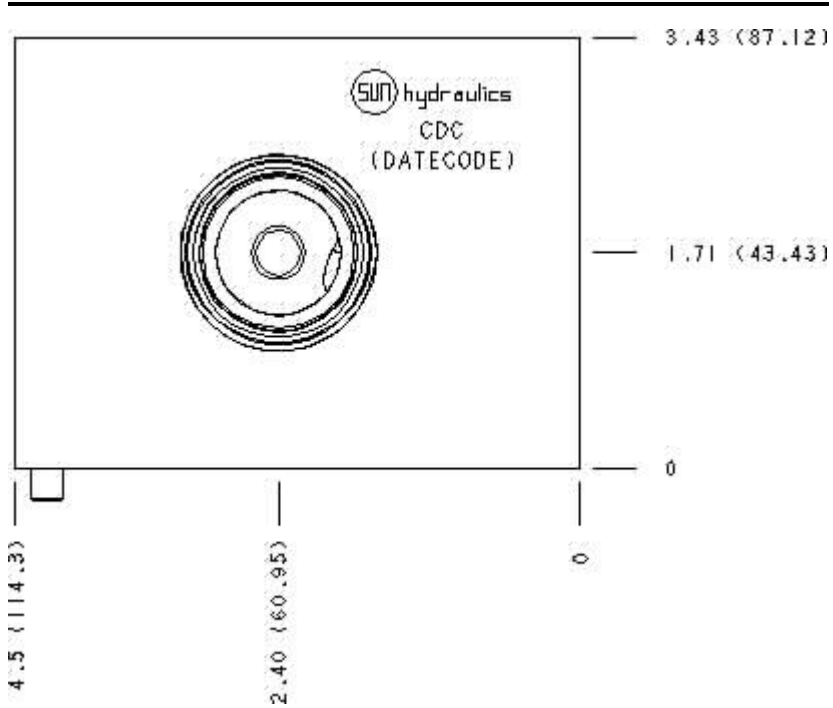


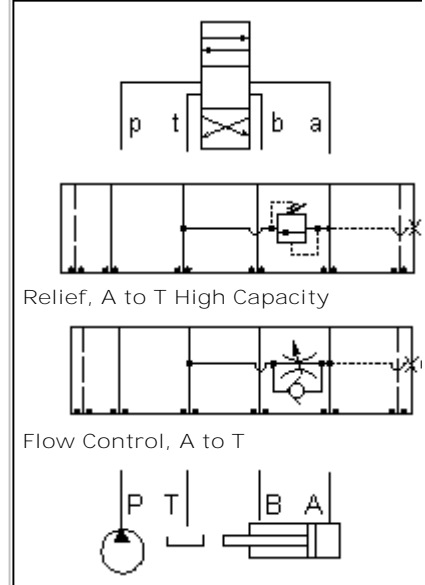
Functional Group:  
 Products : Manifolds : Sandwich : Relief : ISO 08 : A to T high capacity

Model:  
 CDC

Face : 10



Function



Cartridge extension measurement is to the centerline of the cartridge.

Aluminum Body Pressure Rating: **3000 psi (210 bar)**  
 Ductile Iron Body Pressure Rating: **5000 psi (350 bar)**

Port Headings and Sizes:

Gage Port (Plugged)  
 1/4" BSPP

Gage Port (Plugged)  
 1/4" NPTF

Technical Data

|                             | U.S. Units | Metric Units |
|-----------------------------|------------|--------------|
| <b>Model Weight</b>         | 7.08 lb.   | 3.21 kg.     |
| <b>Cavity</b>               | T-16A      |              |
| <b>Body Features</b>        | A to T     |              |
| <b>Body Type</b>            | Sandwich   |              |
| <b>Interface</b>            | ISO 08     |              |
| <b>Open Cavity Quantity</b> | 1          |              |
| <b>Stack Height</b>         | 3.44 in.   | 87 mm        |

Option Selection:

| Model Code | Description                         |
|------------|-------------------------------------|
| CDC        | Aluminum, Buna-N,<br>U.S. Units     |
| CDC/M      | Aluminum, Buna-N,<br>Metric         |
| CDC/S      | Ductile Iron, Buna-N,<br>U.S. Units |
| CDC/T      | Ductile Iron, Buna-N,<br>Metric     |
| CDC/V      | Aluminum, Viton, U.S.<br>Units      |
| CDC/W      | Ductile Iron, Viton,<br>Metric      |
| CDC/Y      | Ductile Iron, Viton,<br>U.S. Units  |
| CDC/Z      | Aluminum, Viton,<br>Metric          |

---

Special Notes :

No Special Notes available for selected Model.

---

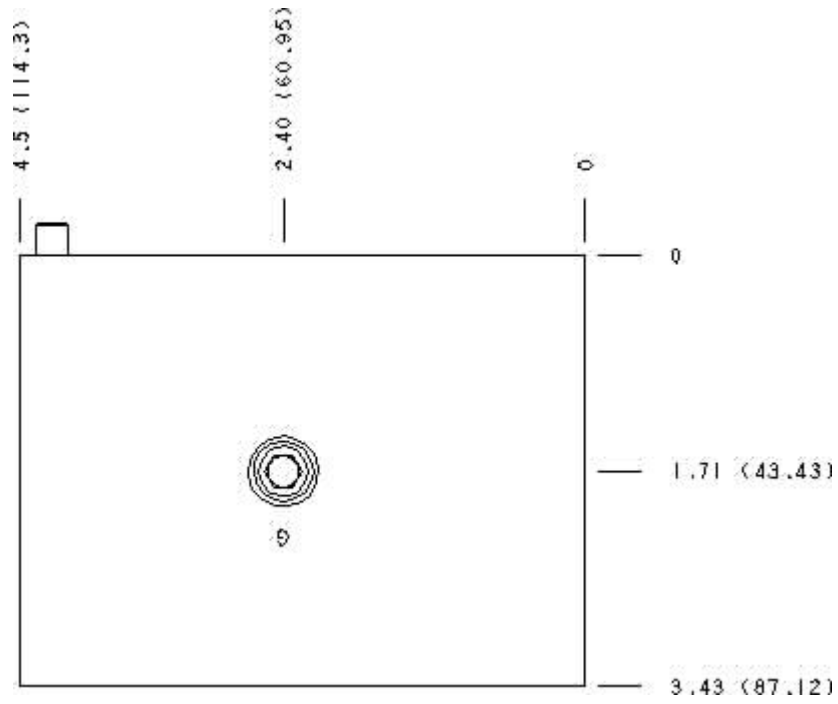


Functional Group:  
Products : Manifolds : Sandwich : Relief : ISO 08 : A to T high capacity

Model:  
CDC

Face : 2

---



Cartridge extension measurement is to the centerline of the cartridge.

---

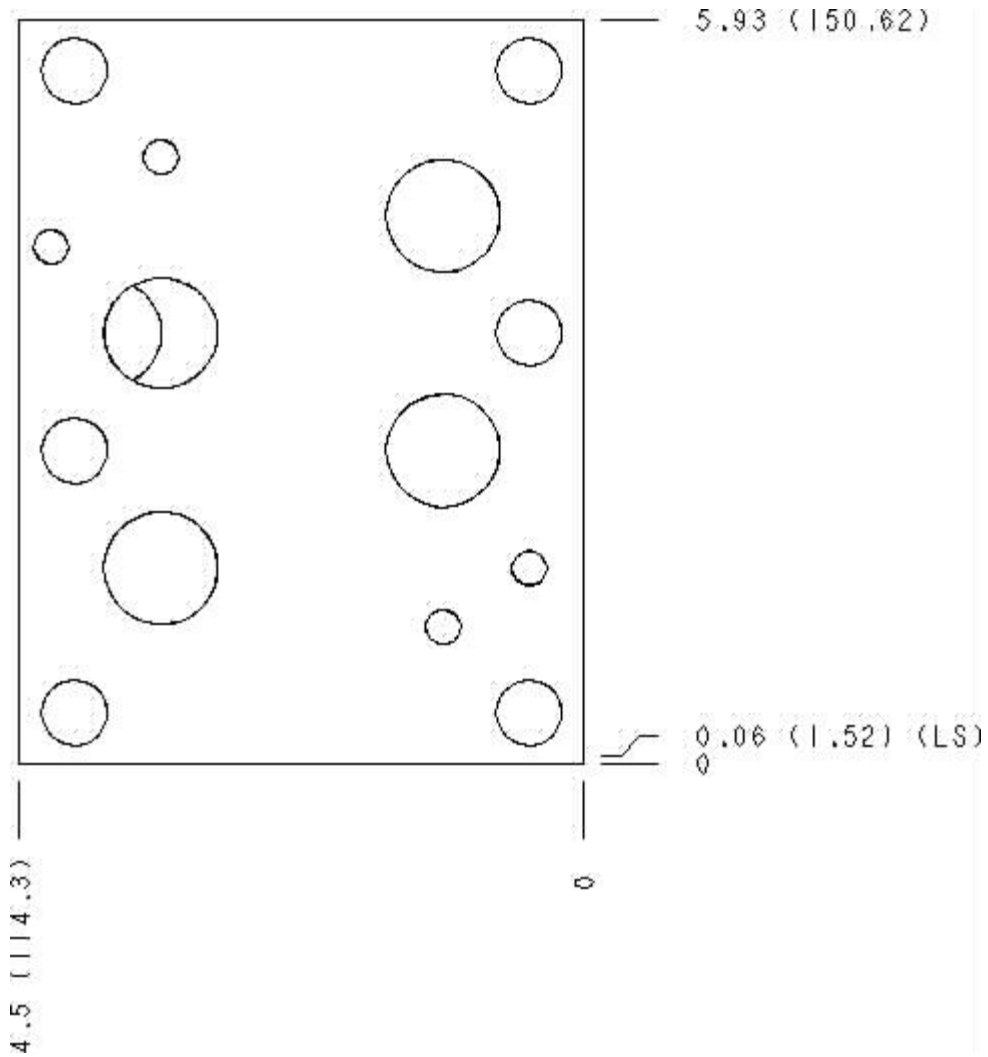


Functional Group:  
Products : Manifolds : Sandwich : Relief : ISO 08 : A to T high capacity

Model:  
CDC

Face : 6

---



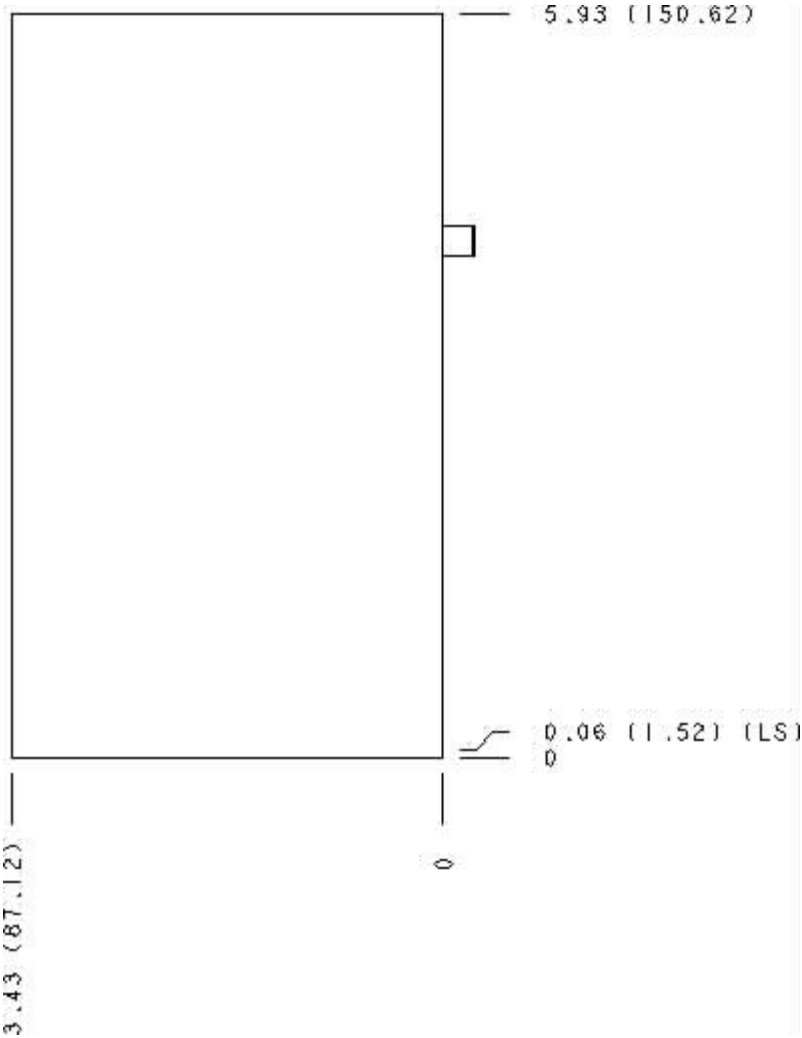
Cartridge extension measurement is to the centerline of the cartridge.



Functional Group:  
 Products : Manifolds : Sandwich : Relief : ISO 08 : A to T high capacity

Model:  
 CDC

Face : 7



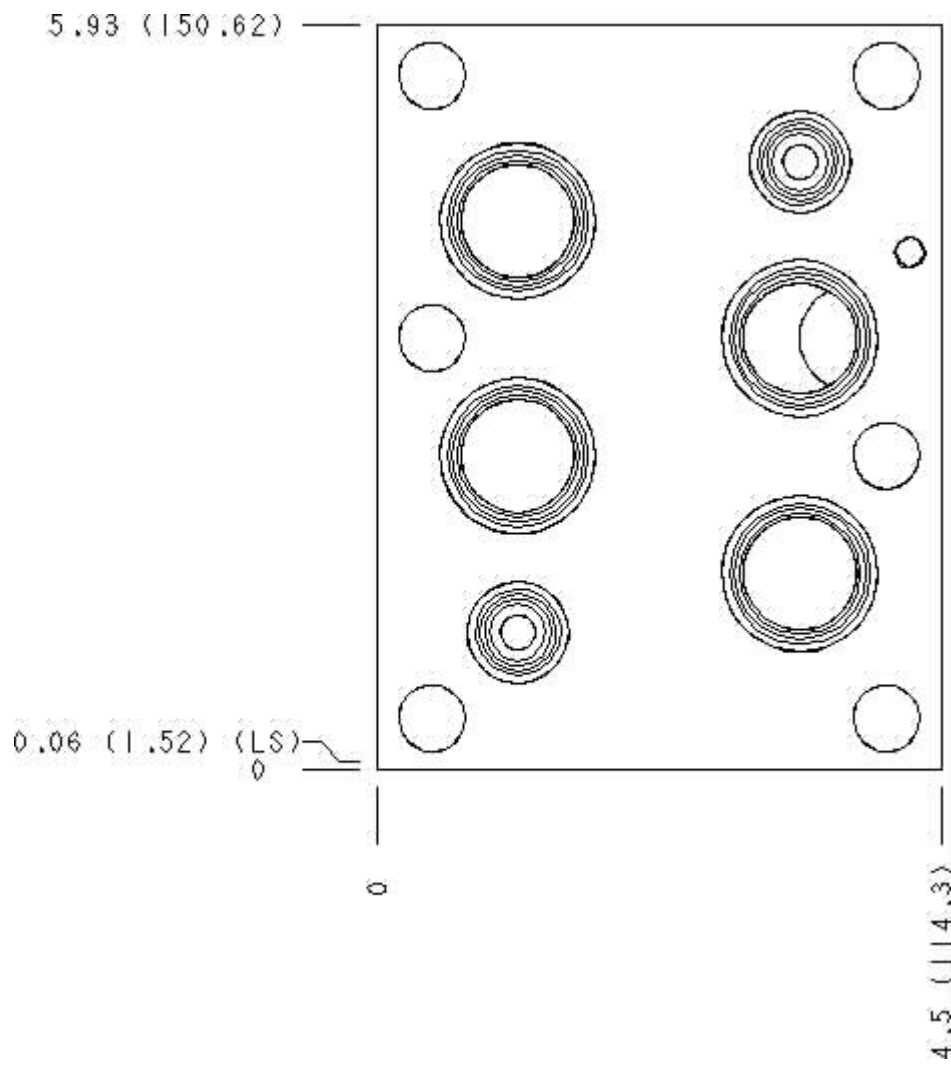
Cartridge extension measurement is to the centerline of the cartridge.



Functional Group:  
 Products : Manifolds : Sandwich : Relief : ISO 08 : A to T high capacity

Model:  
 CDC

Face : 8



Cartridge extension measurement is to the centerline of the cartridge.



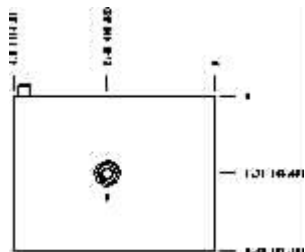
Functional Group:

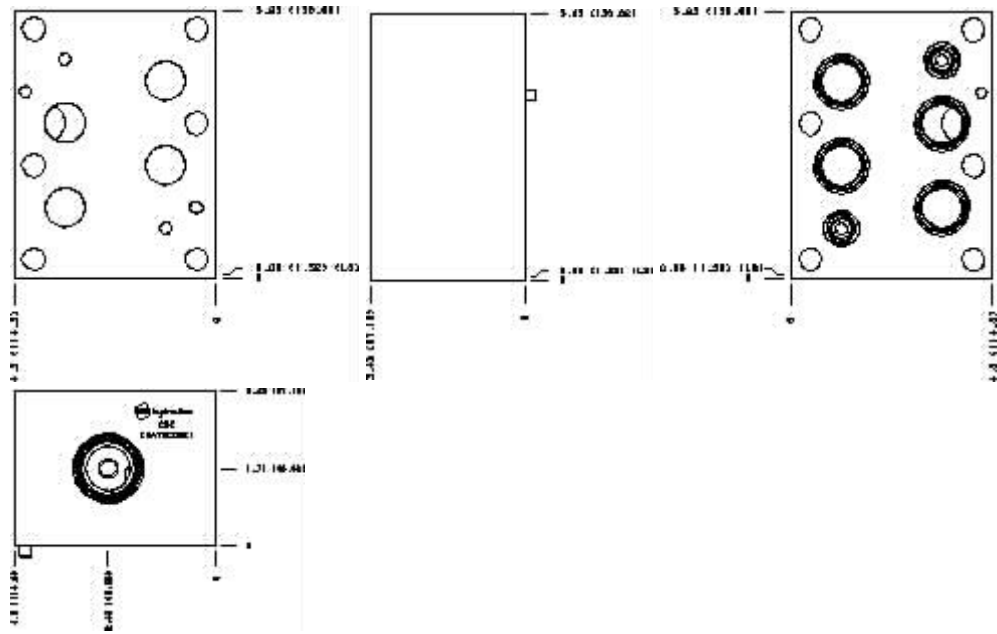
Products : Manifolds : Sandwich : Relief : ISO 08 : A to T high capacity

Model:  
CDC

Projection Type

All Dimensions in Inches(mm)





Copyright © 2007-2008 Sun Hydraulics Corporation.  
All rights reserved.

[Terms and Conditions](#) - [Statement of Privacy](#)