

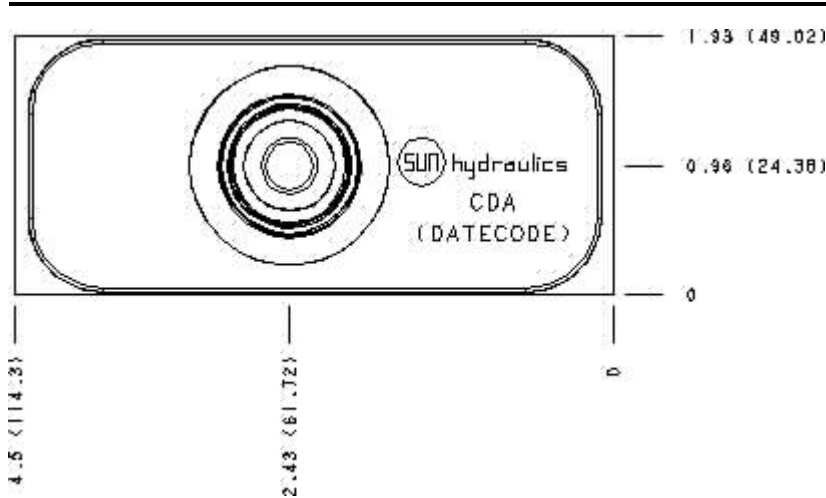
Functional Group:

Products : Manifolds : Sandwich : Relief : ISO 08 : A to T

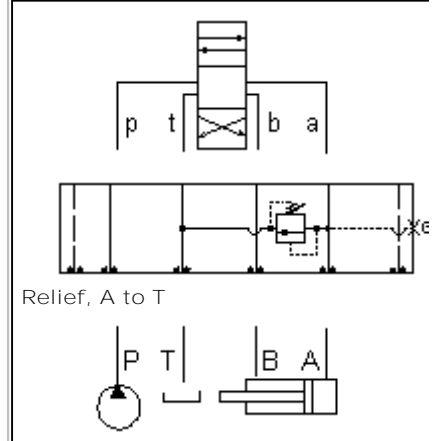
Model:

CDA

Face : 9



Function



Cartridge extension measurement is to the centerline of the cartridge.

Aluminum Body Pressure Rating: **3000 psi (210 bar)**

Ductile Iron Body Pressure Rating: **5000 psi (350 bar)**

Port Headings and Sizes:

Gage Port (Plugged)  
1/4" BSPP

Gage Port (Plugged)  
1/4" NPTF

Technical Data

	U.S. Units	Metric Units
<b>Model Weight</b>	4.08 lb.	1.85 kg.
<b>Cavity</b>	T-3A	
<b>Body Features</b>	A to T	
<b>Body Type</b>	Sandwich	
<b>Interface</b>	ISO 08	
<b>Open Cavity Quantity</b>	1	
<b>Stack Height</b>	1.94 in.	49 mm

Option Selection:

Model Code

Description

CDA	Aluminum, Buna-N, U.S. Units
CDA/M	Aluminum, Buna-N, Metric
CDA/S	Ductile Iron, Buna-N, U.S. Units
CDA/T	Ductile Iron, Buna-N, Metric
CDA/V	Aluminum, Viton, U.S. Units
CDA/W	Ductile Iron, Viton, Metric
CDA/Y	Ductile Iron, Viton, U.S. Units
CDA/Z	Aluminum, Viton, Metric

---

Special Notes :

No Special Notes available for selected Model.

---

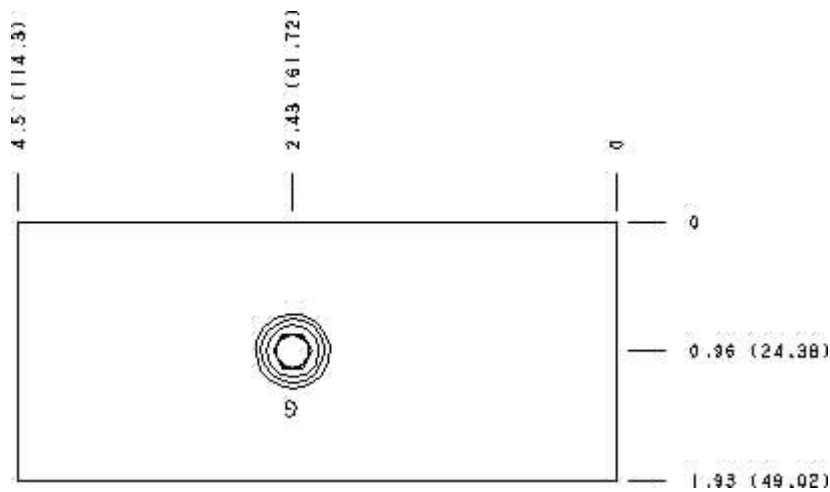


Functional Group:  
Products : Manifolds : Sandwich : Relief : ISO 08 : A to T

Model:  
CDA

Face : 1

---

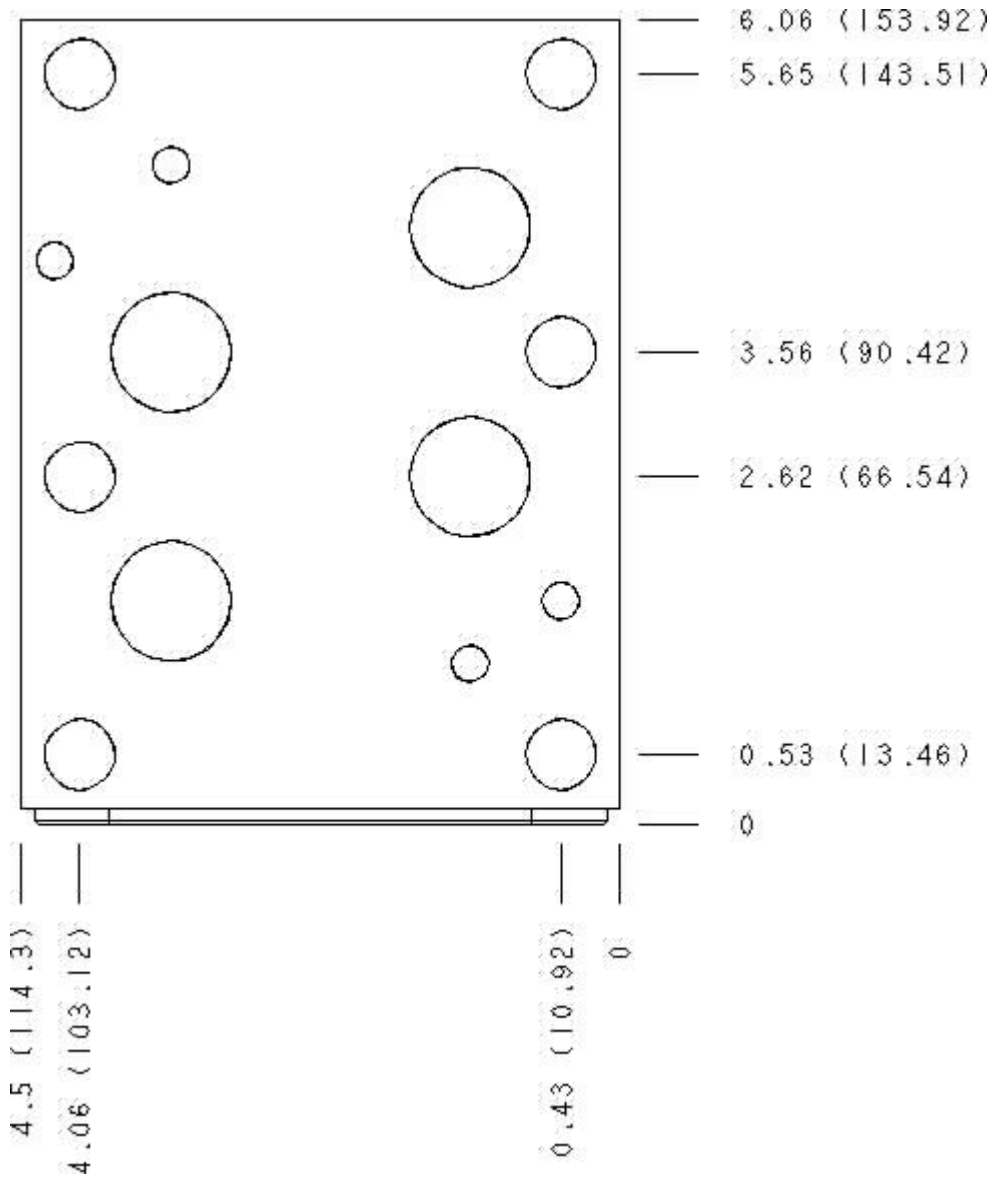


Cartridge extension measurement is to the centerline of the cartridge.

---



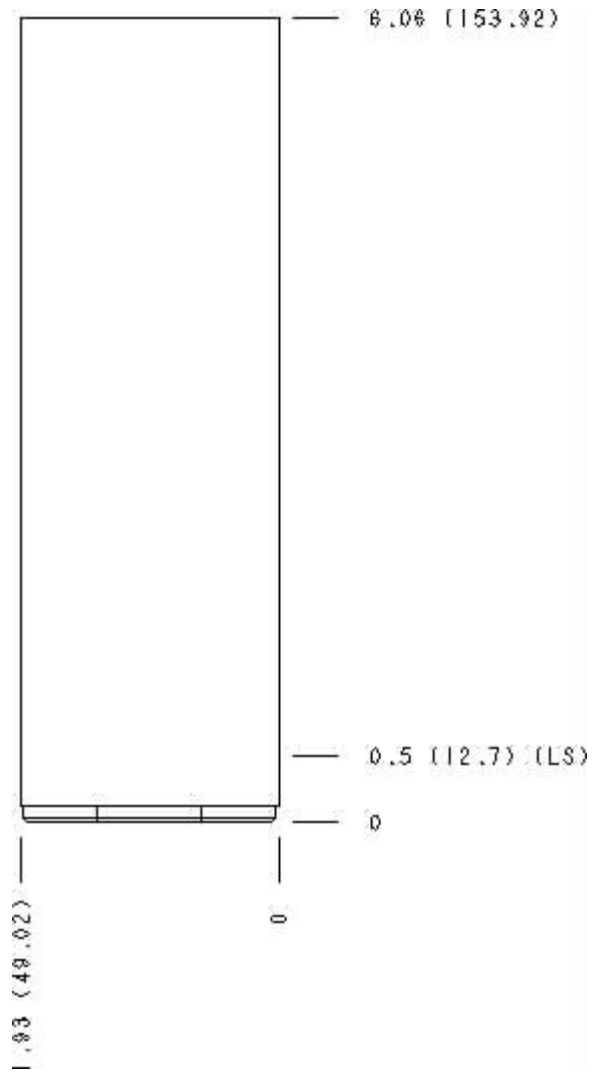
Face : 5



Cartridge extension measurement is to the centerline of the cartridge.



Face : 6



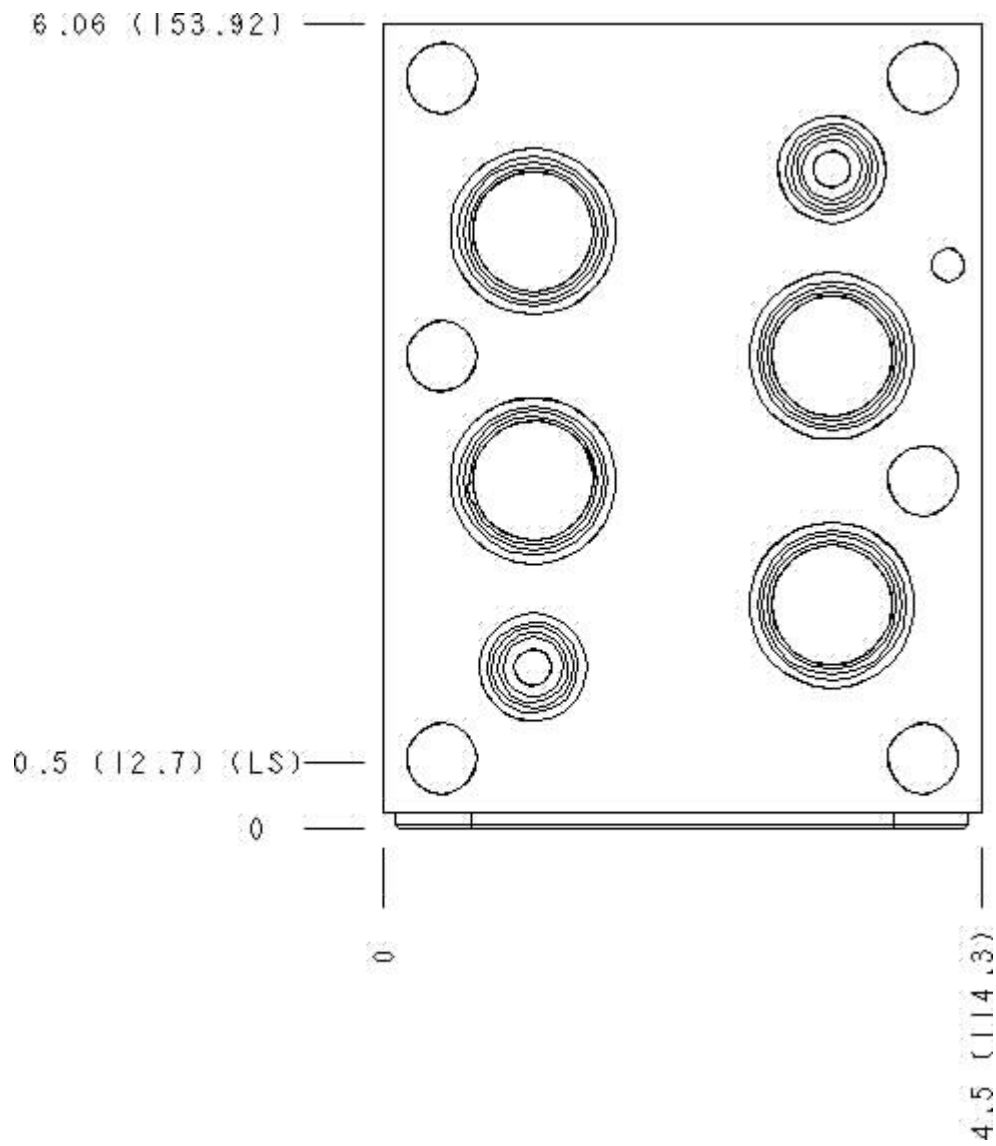
Cartridge extension measurement is to the centerline of the cartridge.



Functional Group:  
Products : Manifolds : Sandwich : Relief : ISO 08 : A to T

Model:  
CDA

Face : 7



Cartridge extension measurement is to the centerline of the cartridge.



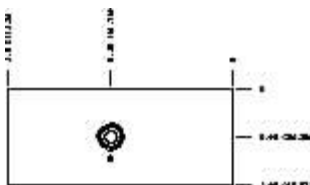
Functional Group:

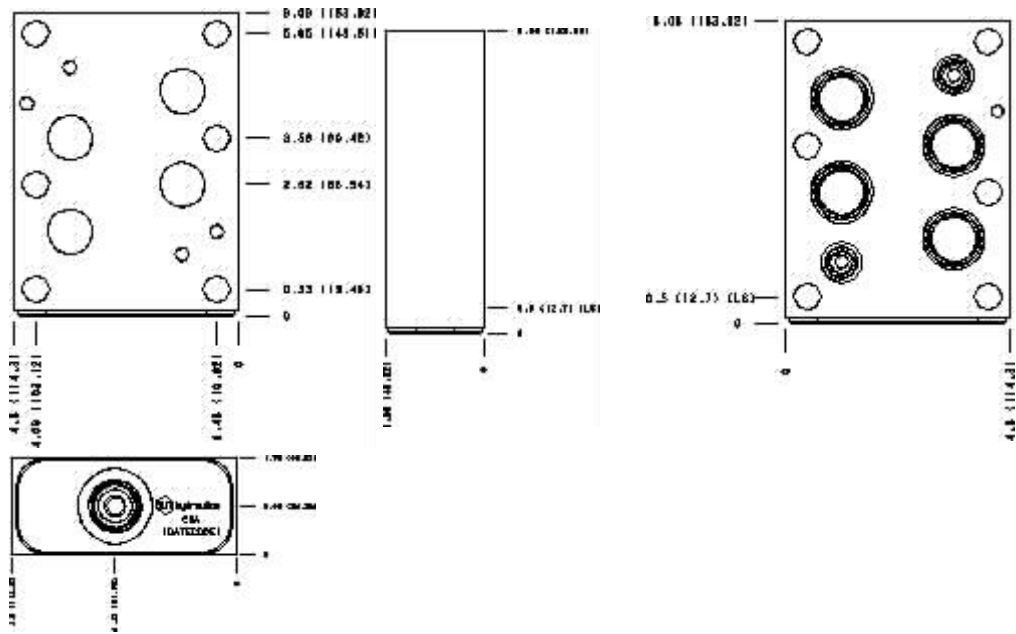
Products : Manifolds : Sandwich : Relief : ISO 08 : A to T

Model:  
CDA

Projection Type 

All Dimensions in Inches(mm)





Copyright © 2007-2008 Sun Hydraulics Corporation.  
All rights reserved.

[Terms and Conditions](#) - [Statement of Privacy](#)