

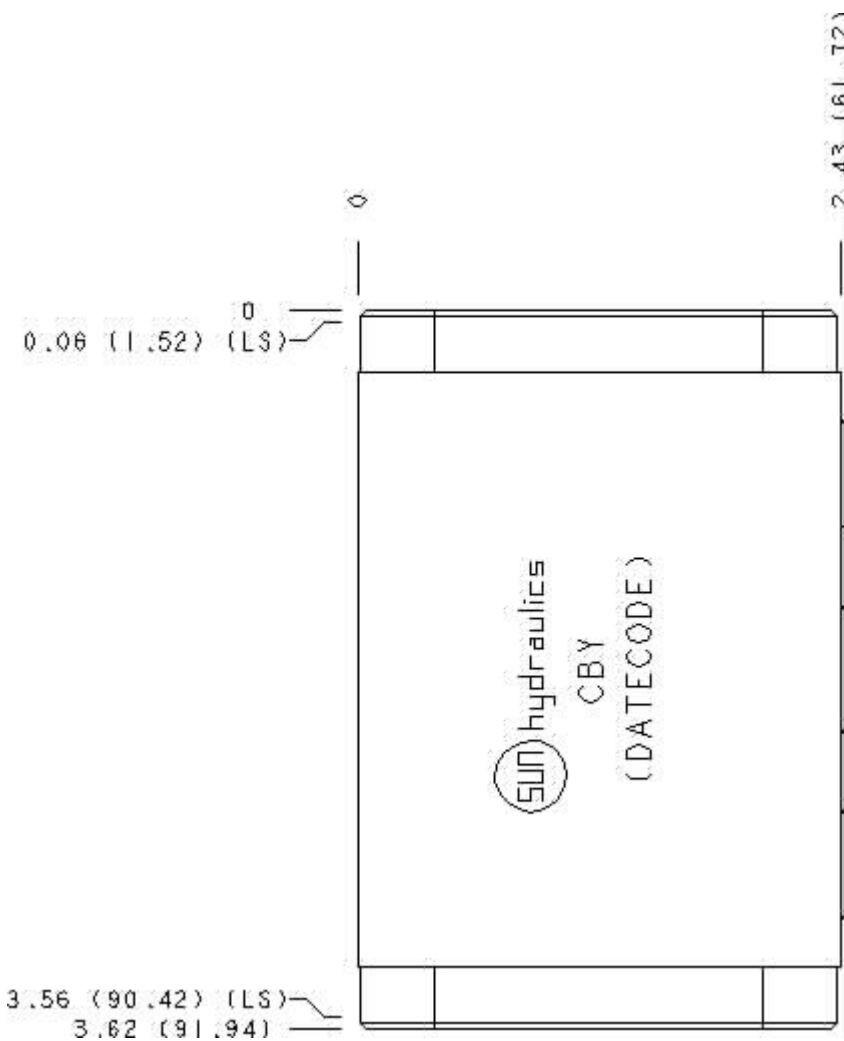
Functional Group:

Model:

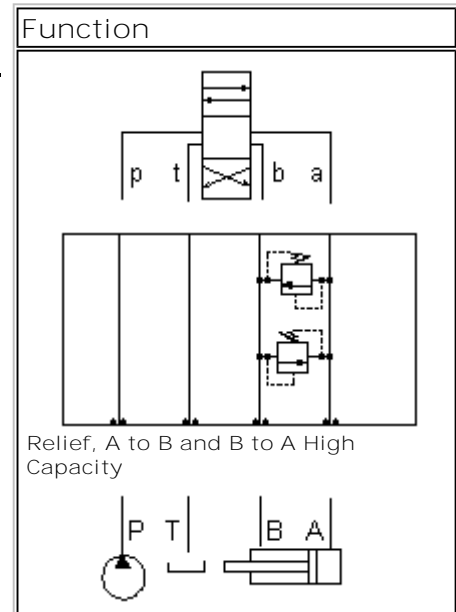
Products : Manifolds : Sandwich : Relief : ISO 05 : A to B and B to A high capacity

CBY

Face : 7



Cartridge extension measurement is to the centerline of the cartridge.



Aluminum Body Pressure Rating: **3000 psi (210 bar)**

Ductile Iron Body Pressure Rating: **5000 psi (350 bar)**

Technical Data

	U.S. Units	Metric Units
<b>Model Weight</b>	1.68 lb.	0.76 kg.
<b>Cavity</b>	T-3A	
<b>Body Features</b>	A to B and B to A	
<b>Body Type</b>	Sandwich	

<b>Interface</b>	ISO 05	
<b>Open Cavity Quantity</b>	2	
<b>Stack Height</b>	2.44 in.	62 mm

---

Option Selection:

Model Code	Description
CBY	Aluminum, Buna-N, U.S. Units
CBY/S	Ductile Iron, Buna-N, U.S. Units
CBY/V	Aluminum, Viton, U.S. Units
CBY/Y	Ductile Iron, Viton, U.S. Units

---

Special Notes :

No Special Notes available for selected Model.

---

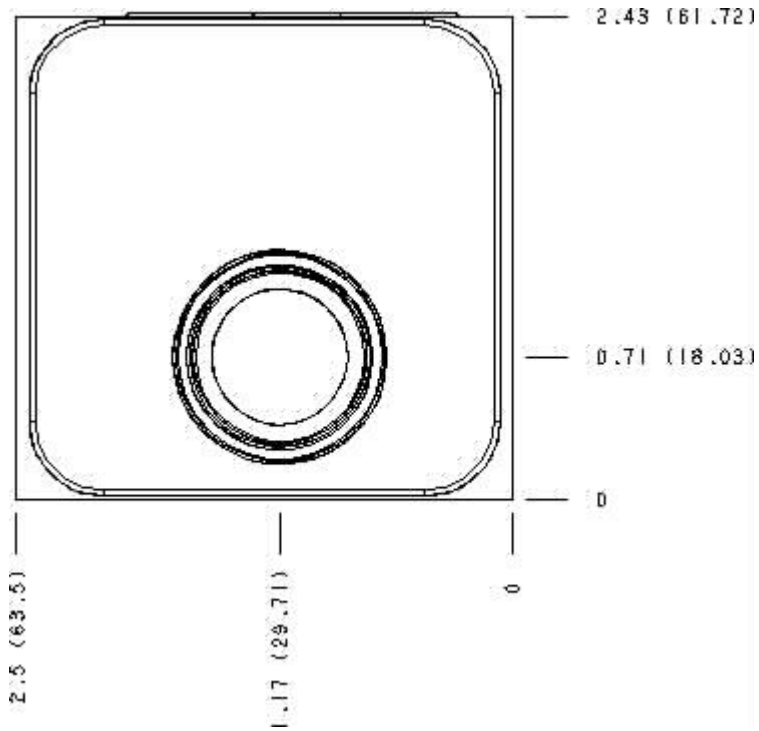


Functional Group:  
 Products : Manifolds : Sandwich : Relief : ISO 05 : A to B and B to A high  
 capacity

Model:  
 CBY

Face : 2

---



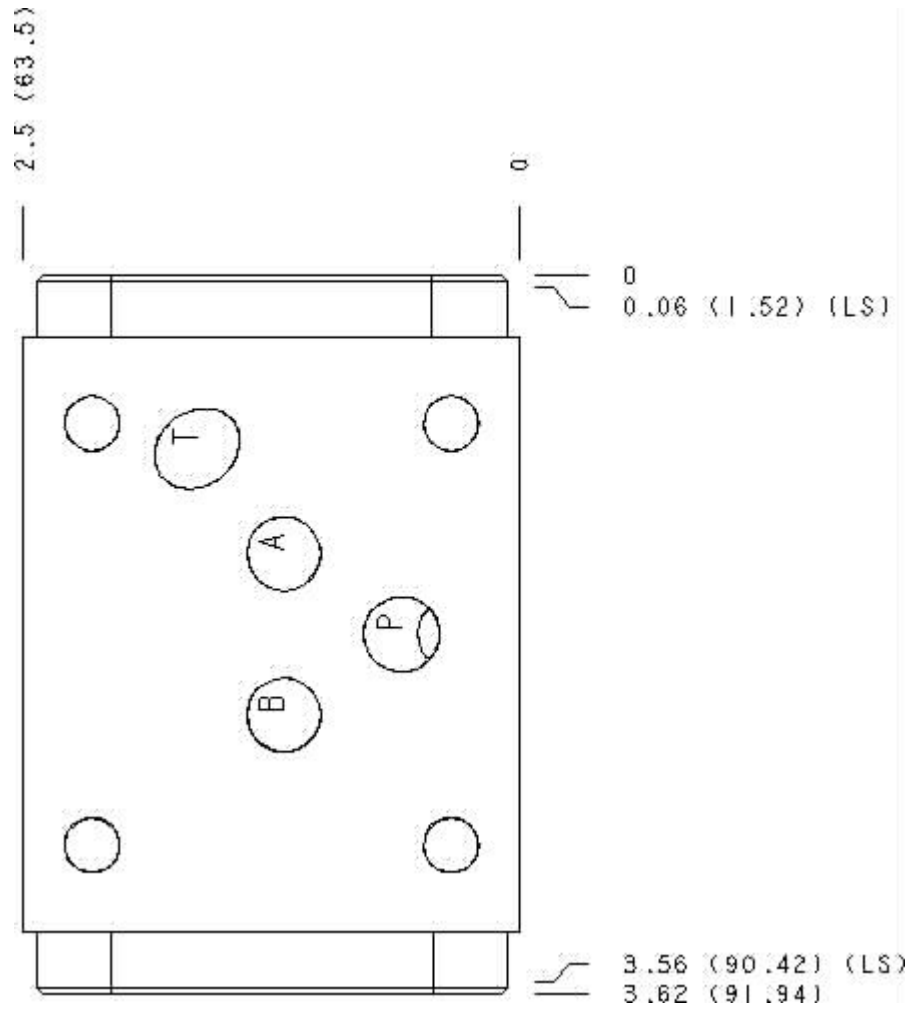
Cartridge extension measurement is to the centerline of the cartridge.



Functional Group:  
Products : Manifolds : Sandwich : Relief : ISO 05 : A to B and B to A high capacity

Model:  
CBY

Face : 6



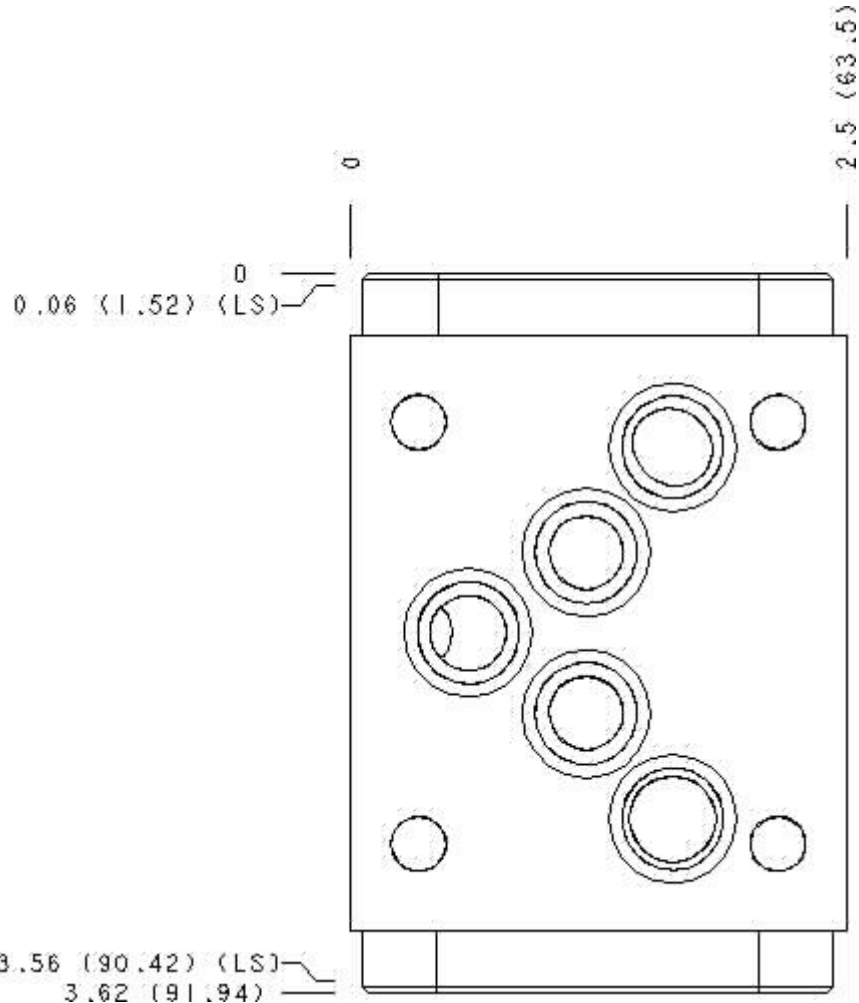
Cartridge extension measurement is to the centerline of the cartridge.



Functional Group:  
 Products : Manifolds : Sandwich : Relief : ISO 05 : A to B and B to A high capacity

Model:  
 CBY

Face : 8



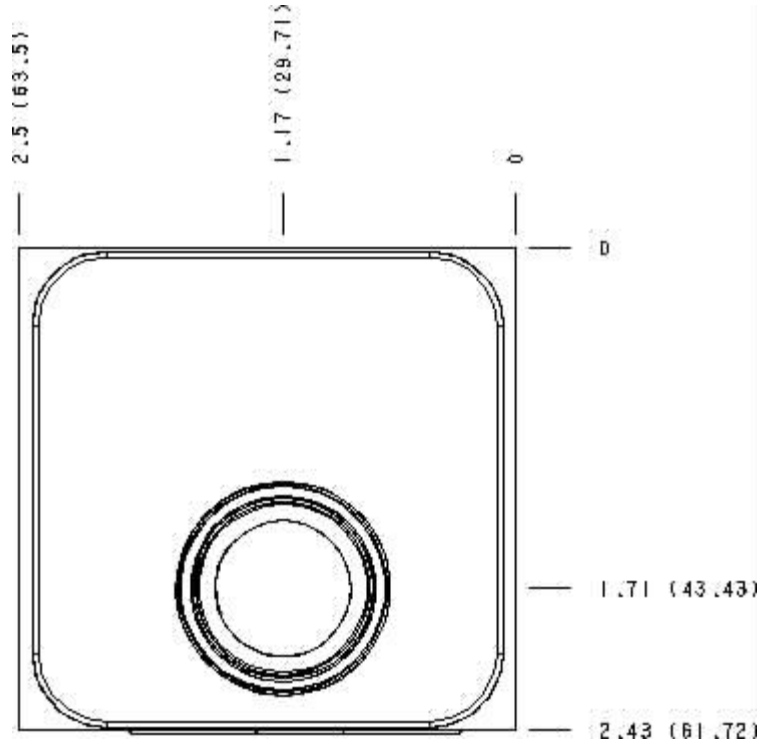
Cartridge extension measurement is to the centerline of the cartridge.



Functional Group:  
 Products : Manifolds : Sandwich : Relief : ISO 05 : A to B and B to A high capacity

Model:  
 CBY

Face : 10



Cartridge extension measurement is to the centerline of the cartridge.



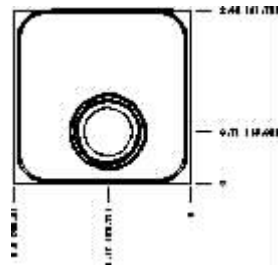
Functional Group:

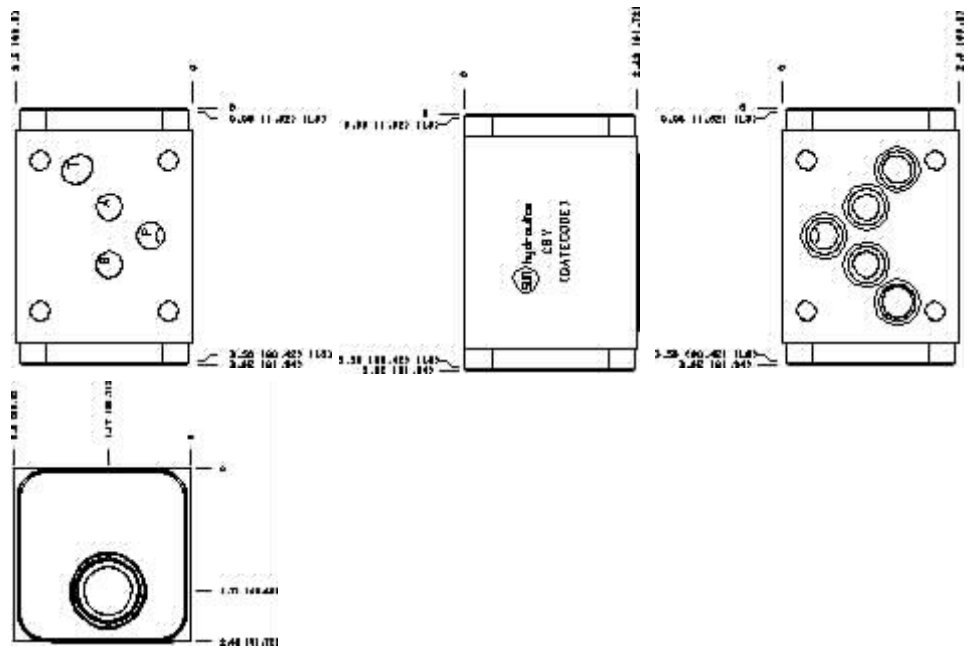
Products : Manifolds : Sandwich : Relief : ISO 05 : A to B and B to A high capacity

Model:  
CBY

Projection Type

All Dimensions in Inches(mm)





Copyright © 2007-2008 Sun Hydraulics Corporation.  
All rights reserved.

[Terms and Conditions](#) - [Statement of Privacy](#)