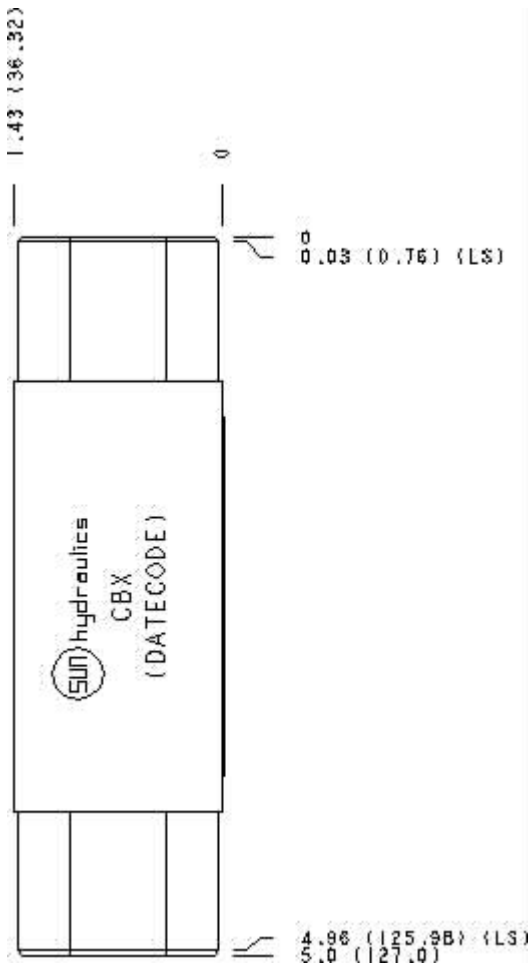


Functional Group:
 Products : Manifolds : Sandwich : Relief : ISO 05 : A and B to T high capacity

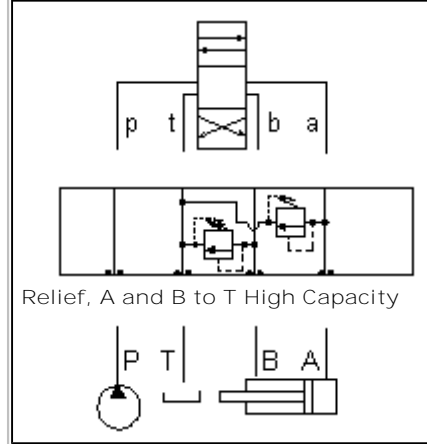
Model:
 CBX

Face : 7



Cartridge extension measurement is to the centerline of the cartridge.

Function



Relief, A and B to T High Capacity

Aluminum Body Pressure Rating: **3000 psi (210 bar)**
 Ductile Iron Body Pressure Rating: **5000 psi (350 bar)**

Technical Data

	U.S. Units	Metric Units
Model Weight	1.27 lb.	0.58 kg.
Cavity	T-3A	
Body Features	A and B to T	
Body Type	Sandwich	
Interface	ISO 05	
Open Cavity Quantity	2	

Stack Height

1.44 in.

36,5 mm

Option Selection:

Model Code	Description
CBX	Aluminum, Buna-N, U.S. Units
CBX/S	Ductile Iron, Buna-N, U.S. Units
CBX/V	Aluminum, Viton, U.S. Units
CBX/Y	Ductile Iron, Viton, U.S. Units

Special Notes :

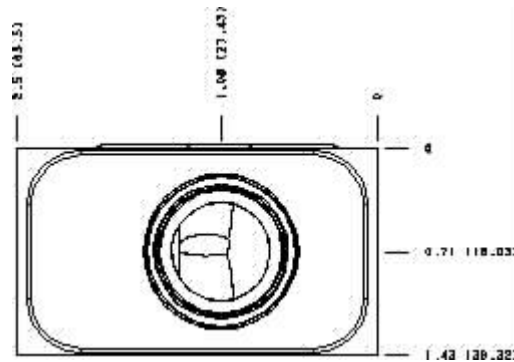
No Special Notes available for selected Model.



Functional Group:
Products : Manifolds : Sandwich : Relief : ISO 05 : A and B to T high capacity

Model:
CBX

Face : 2



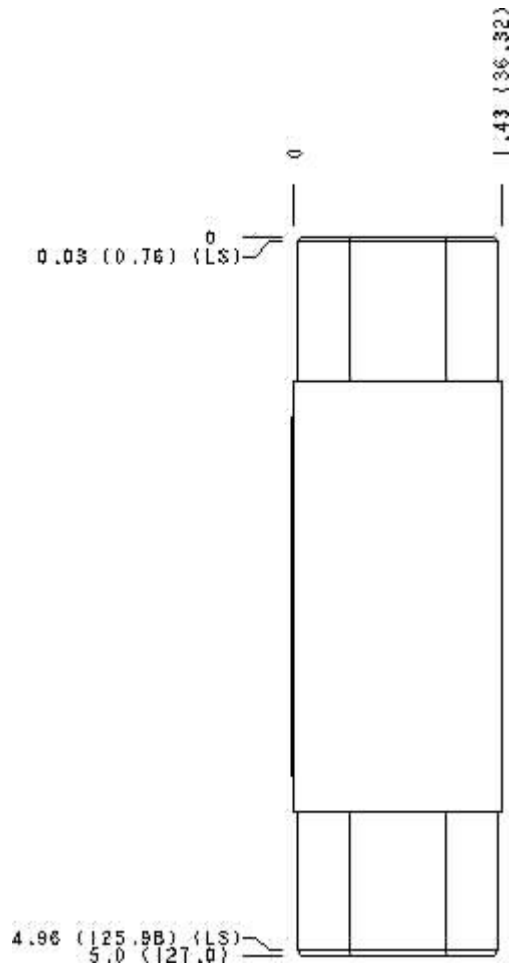
Cartridge extension measurement is to the centerline of the cartridge.



Functional Group:

Model:

Face : 5



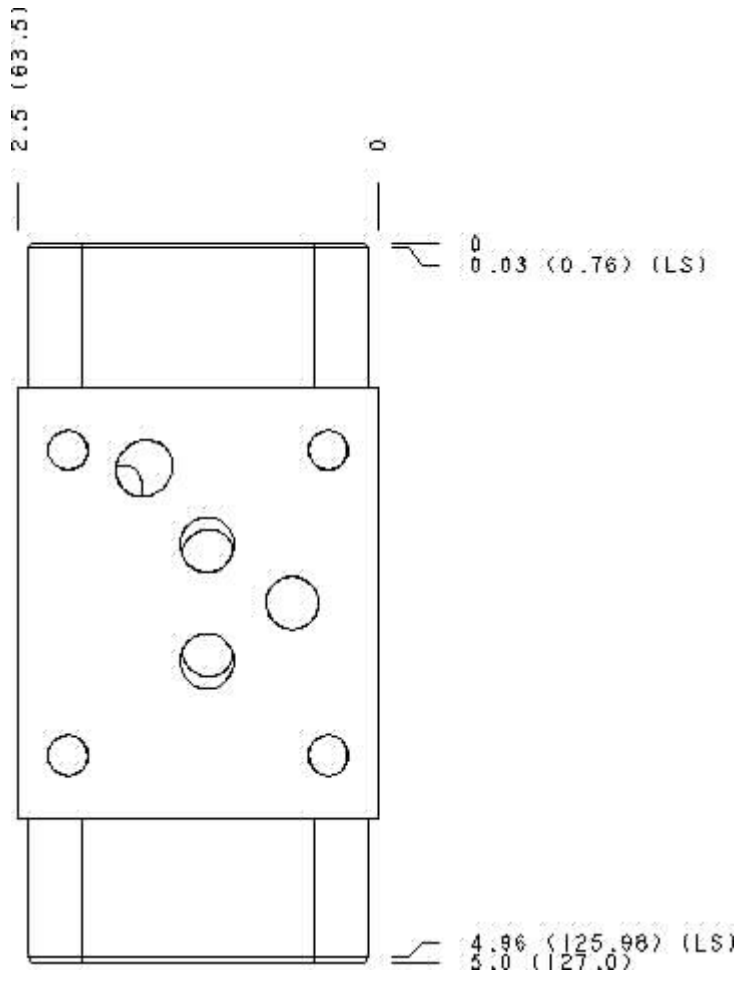
Cartridge extension measurement is to the centerline of the cartridge.



Functional Group:
Products : Manifolds : Sandwich : Relief : ISO 05 : A and B to T high capacity

Model:
CBX

Face : 6



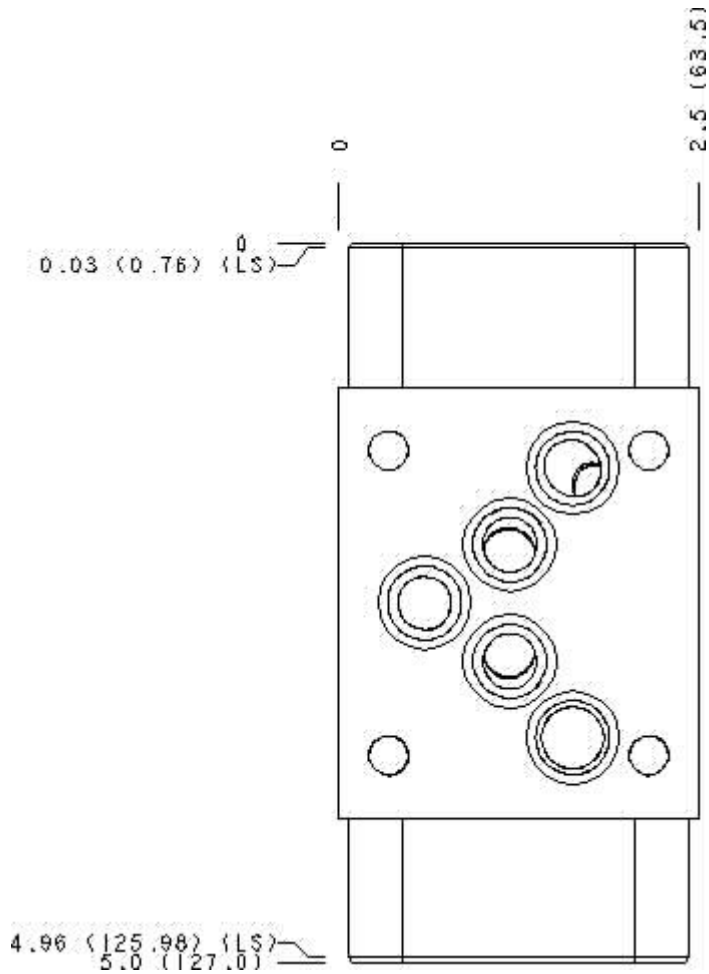
Cartridge extension measurement is to the centerline of the cartridge.



Functional Group:
 Products : Manifolds : Sandwich : Relief : ISO 05 : A and B to T high capacity

Model:
 CBX

Face : 8



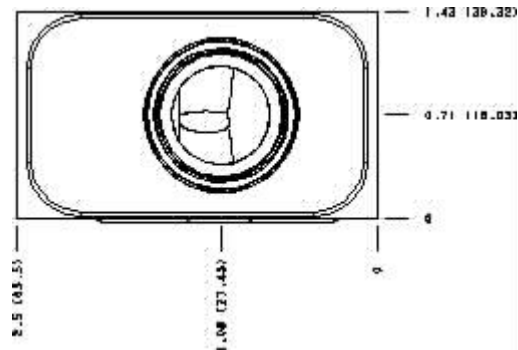
Cartridge extension measurement is to the centerline of the cartridge.



Functional Group:
 Products : Manifolds : Sandwich : Relief : ISO 05 : A and B to T high capacity

Model:
 CBX

Face : 10



Cartridge extension measurement is to the centerline of the cartridge.

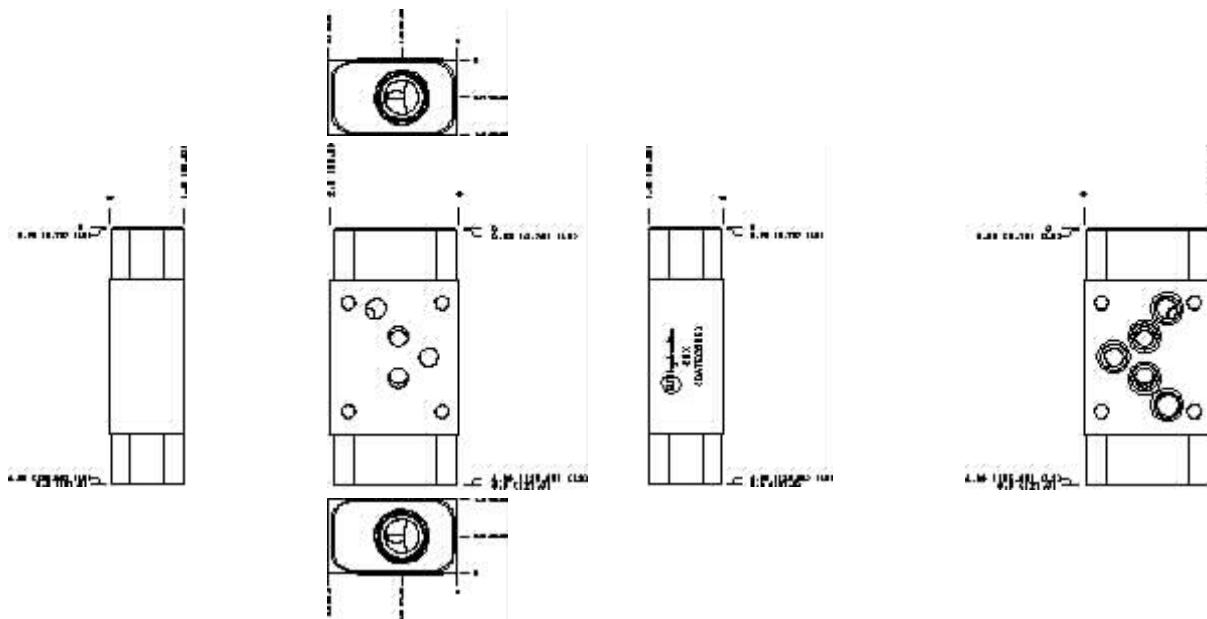
Functional Group:

Products : Manifolds : Sandwich : Relief : ISO 05 : A
and B to T high capacity

Model:
CBX

Projection Type 

All Dimensions in Inches(mm)



Copyright © 2007-2008 Sun Hydraulics Corporation.
All rights reserved.

[Terms and Conditions](#) - [Statement of Privacy](#)