

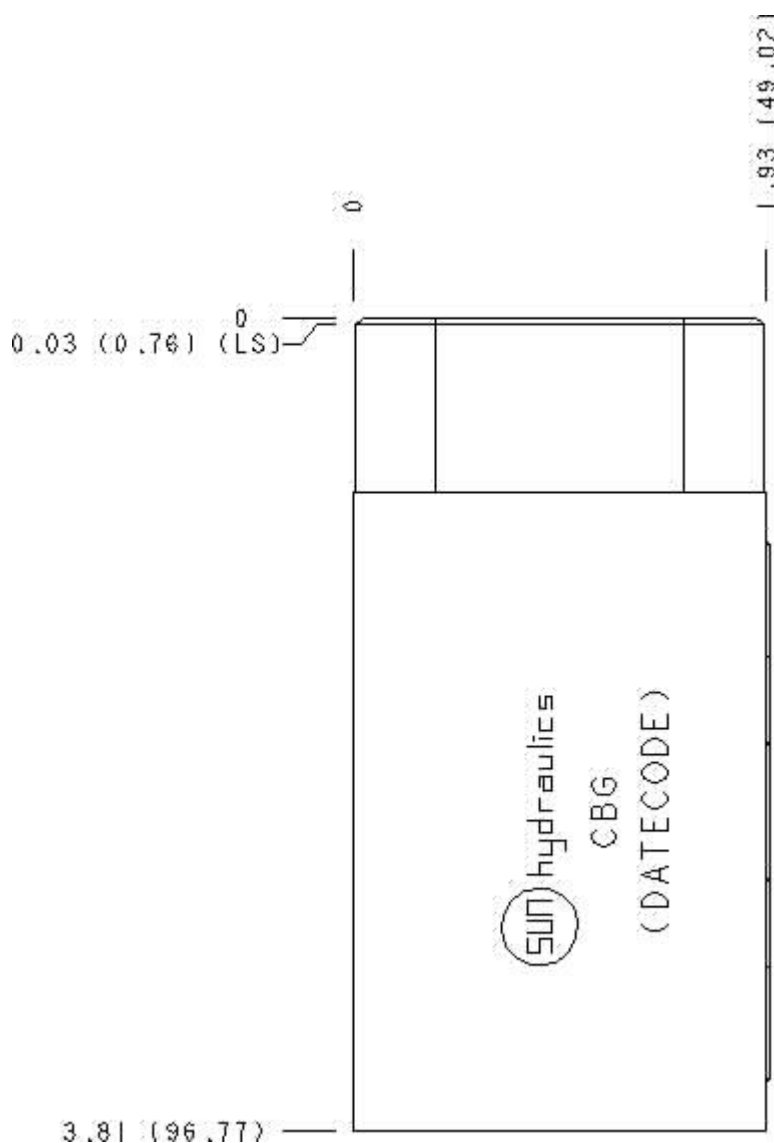
Functional Group:

Products : Manifolds : Sandwich : Relief : ISO 05 : B to T

Model:

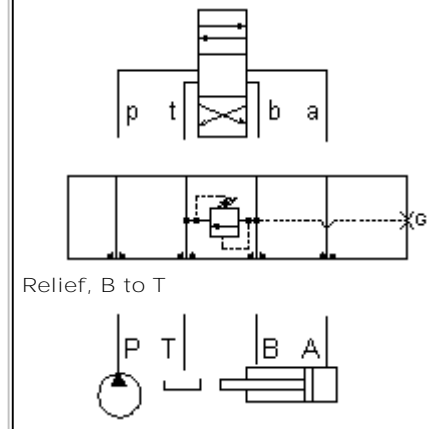
CBG

Face : 7



Cartridge extension measurement is to the centerline of the cartridge.

Function



Aluminum Body Pressure Rating: **3000 psi (210 bar)**
 Ductile Iron Body Pressure Rating: **5000 psi (350 bar)**

Port Headings and Sizes:

Gage Port (Plugged)
 1/4" BSPP

Gage Port (Plugged)
 1/4" NPTF

Technical Data

	U.S. Units	Metric Units
Model Weight	1.50 lb.	0.68 kg.
Cavity	T-10A	
Body Features	B to T	
Body Type	Sandwich	
Interface	ISO 05	
Open Cavity Quantity	1	
Stack Height	1.94 in.	49 mm

Option Selection:

Model Code	Description
CBG	Aluminum, Buna-N, U.S. Units
CBG/M	Aluminum, Buna-N, Metric
CBG/S	Ductile Iron, Buna-N, U.S. Units
CBG/T	Ductile Iron, Buna-N, Metric
CBG/V	Aluminum, Viton, U.S. Units
CBG/W	Ductile Iron, Viton, Metric
CBG/Y	Ductile Iron, Viton, U.S. Units
CBG/Z	Aluminum, Viton, Metric

Special Notes :

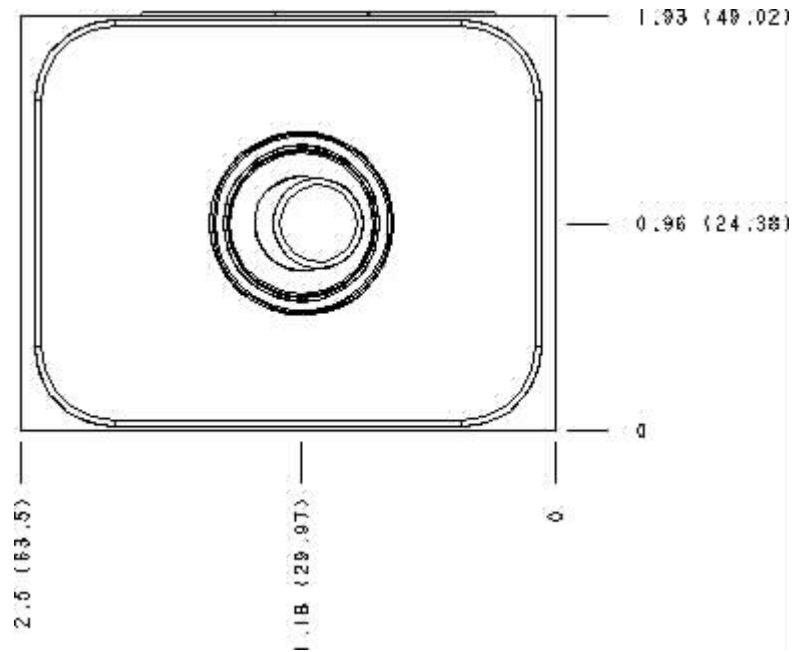
No Special Notes available for selected Model.



Functional Group:
Products : Manifolds : Sandwich : Relief : ISO 05 : B to T

Model:
CBG

Face : 2



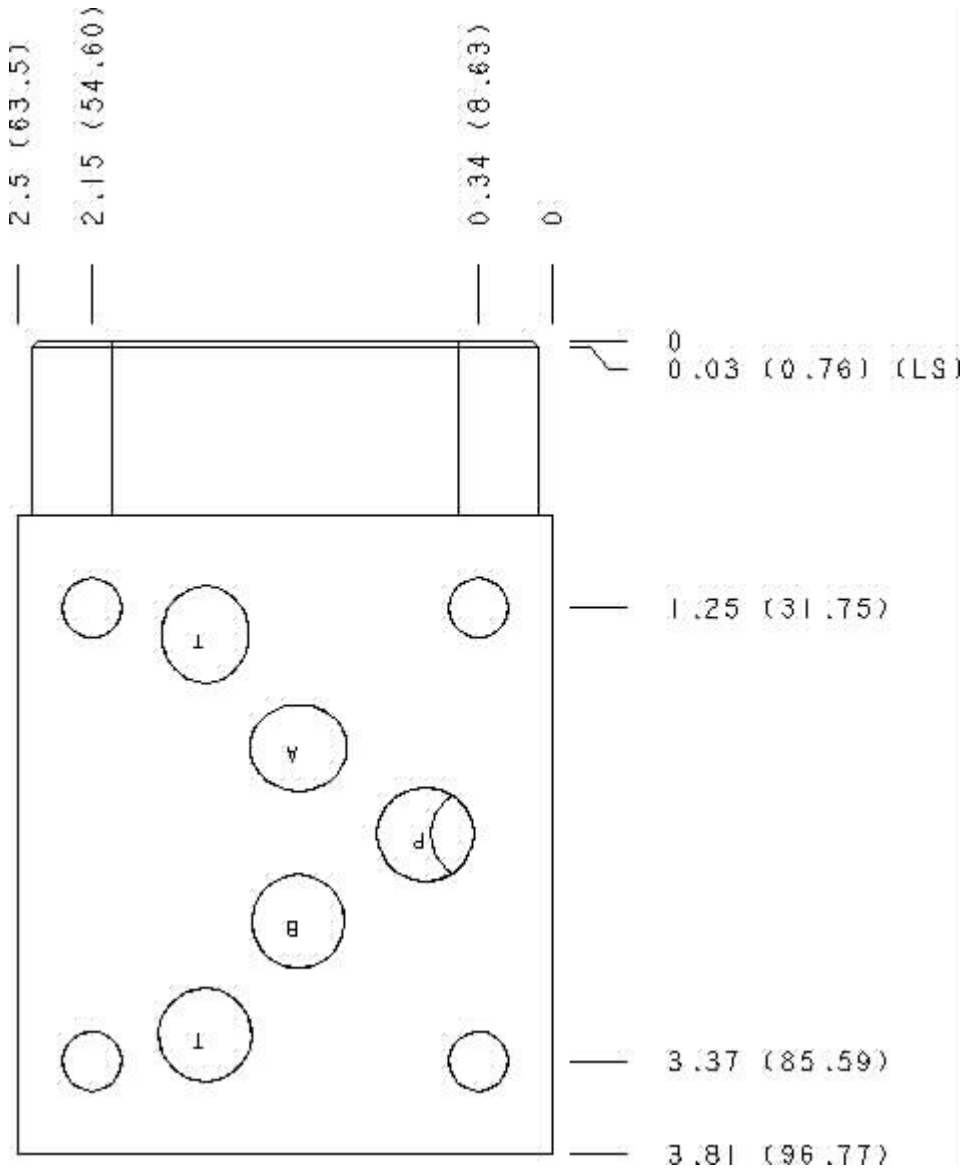
Cartridge extension measurement is to the centerline of the cartridge.



Functional Group:
 Products : Manifolds : Sandwich : Relief : ISO 05 : B to T

Model:
 CBG

Face : 6



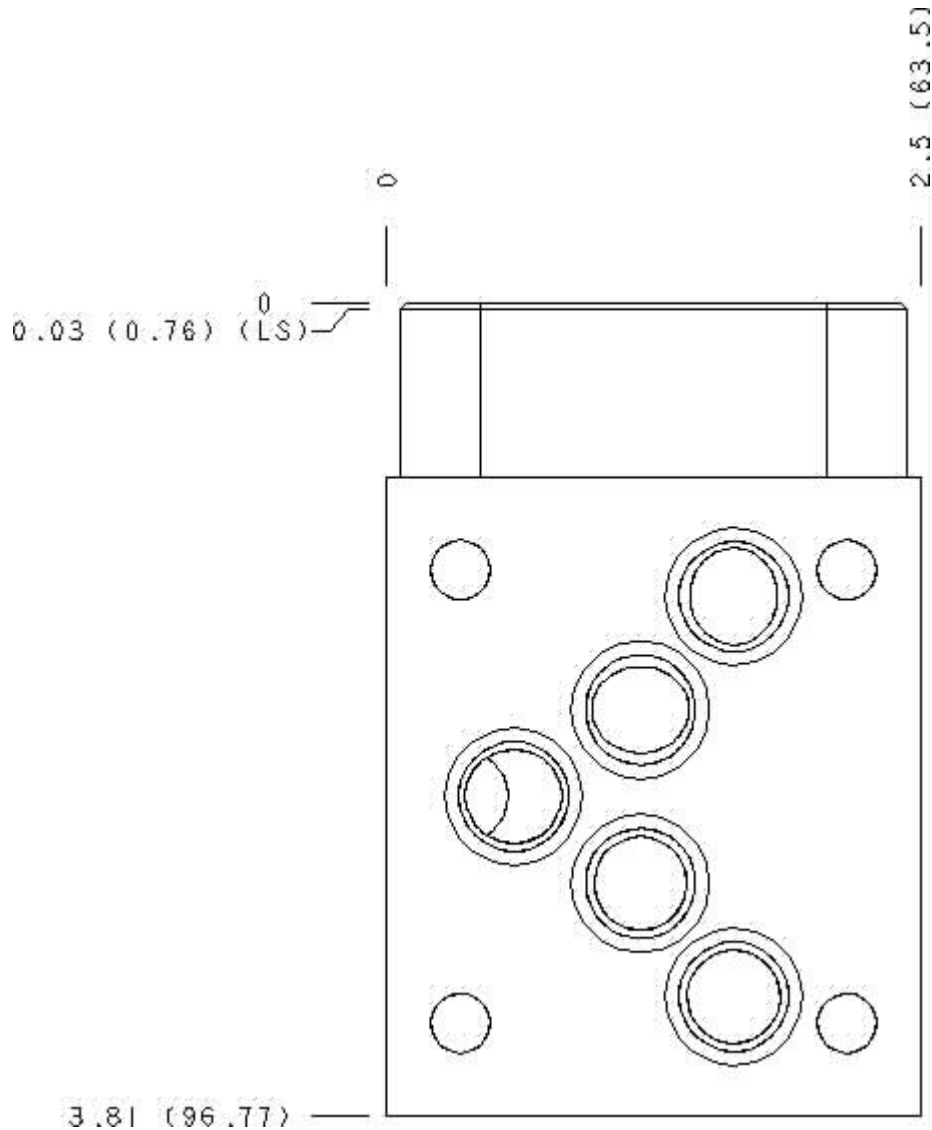
Cartridge extension measurement is to the centerline of the cartridge.



Functional Group:
 Products : Manifolds : Sandwich : Relief : ISO 05 : B to T

Model:
 CBG

Face : 8



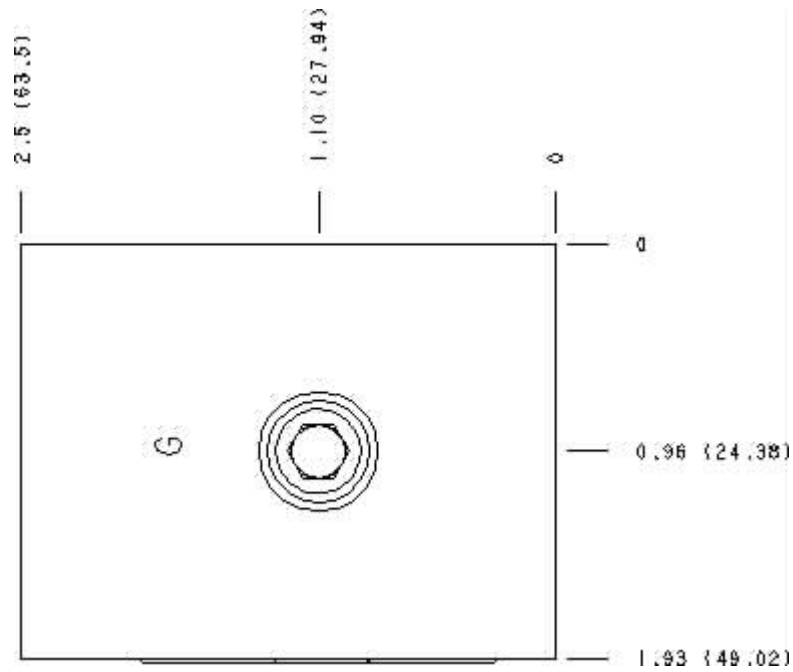
Cartridge extension measurement is to the centerline of the cartridge.



Functional Group:
 Products : Manifolds : Sandwich : Relief : ISO 05 : B to T

Model:
 CBG

Face : 10



Cartridge extension measurement is to the centerline of the cartridge.



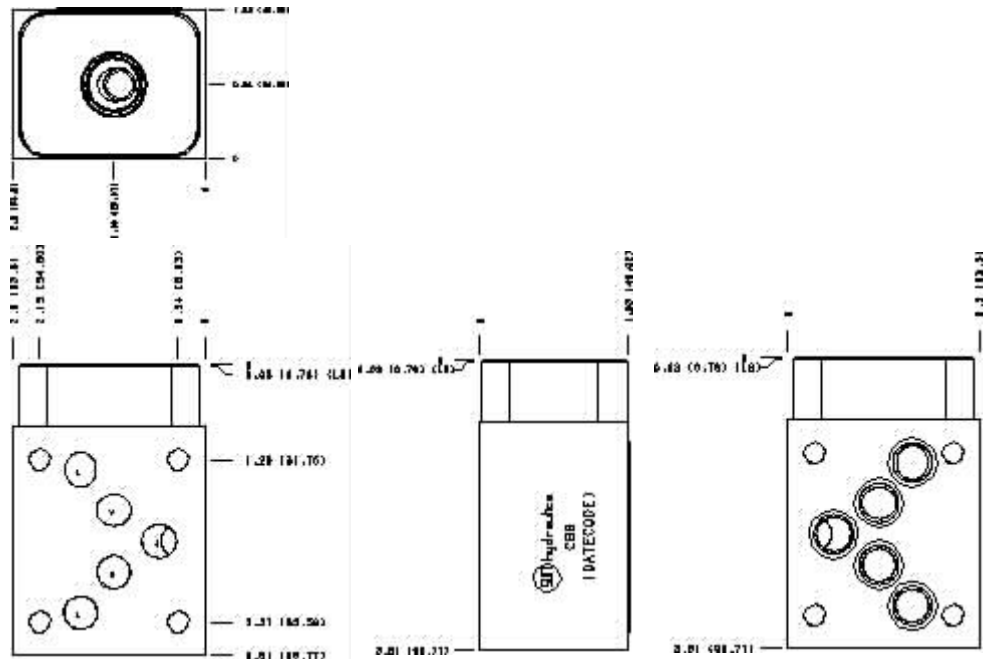
Functional Group:

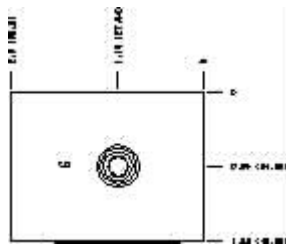
Products : Manifolds : Sandwich : Relief : ISO 05 : B to T

Model:
CBG

Projection Type

All Dimensions in Inches(mm)





Copyright © 2007-2008 Sun Hydraulics Corporation.
All rights reserved.

[Terms and Conditions](#) - [Statement of Privacy](#)