

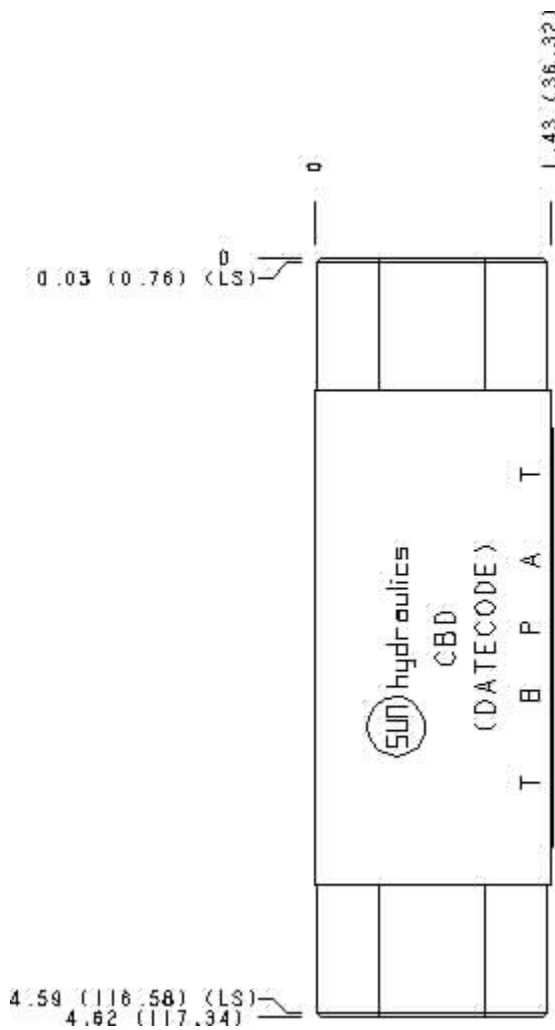
Functional Group:

Products : Manifolds : Sandwich : Relief : ISO 05 : A and B to T

Model:

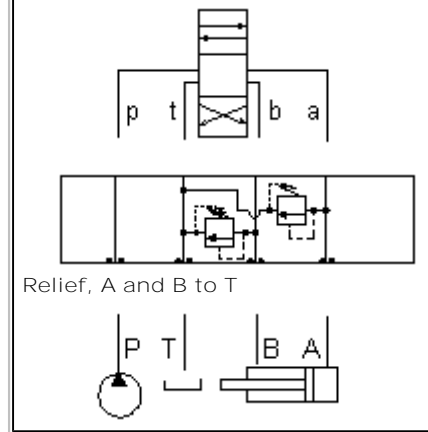
CBD

Face : 7



Cartridge extension measurement is to the centerline of the cartridge.

Function



Aluminum Body Pressure Rating: **3000 psi (210 bar)**

Ductile Iron Body Pressure Rating: **5000 psi (350 bar)**

Technical Data

	U.S. Units	Metric Units
<b>Model Weight</b>	1.24 lb.	0.56 kg.
<b>Cavity</b>	T-10A	
<b>Body Features</b>	A and B to T	
<b>Body Type</b>	Sandwich	

Interface	ISO 05	
Open Cavity Quantity	2	
Stack Height	1.44 in.	36,5 mm

Option Selection:

Model Code	Description
CBD	Aluminum, Buna-N, U.S. Units
CBD/S	Ductile Iron, Buna-N, U.S. Units
CBD/V	Aluminum, Viton, U.S. Units
CBD/Y	Ductile Iron, Viton, U.S. Units

Special Notes :

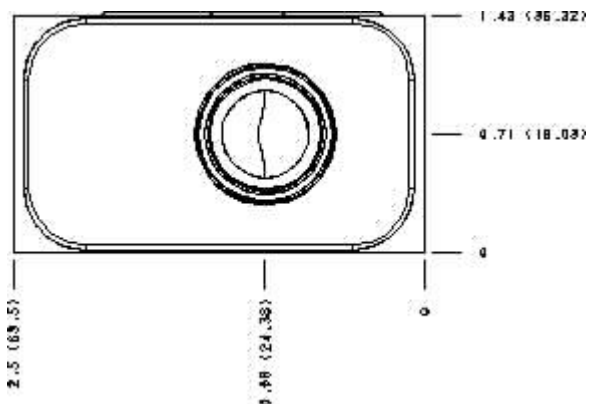
No Special Notes available for selected Model.



Functional Group:  
Products : Manifolds : Sandwich : Relief : ISO 05 : A and B to T

Model:  
CBD

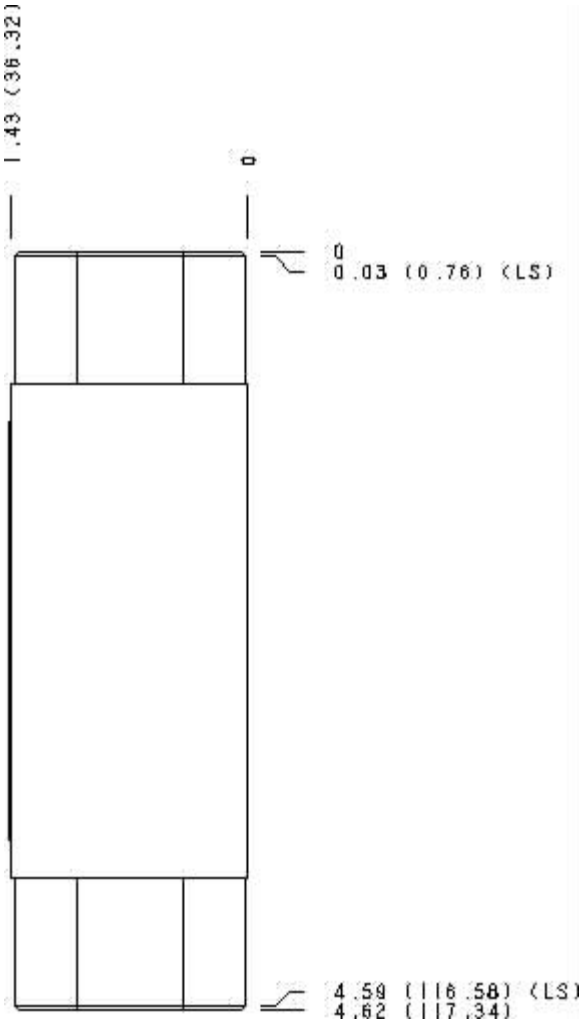
Face : 2



Cartridge extension measurement is to the centerline of the cartridge.



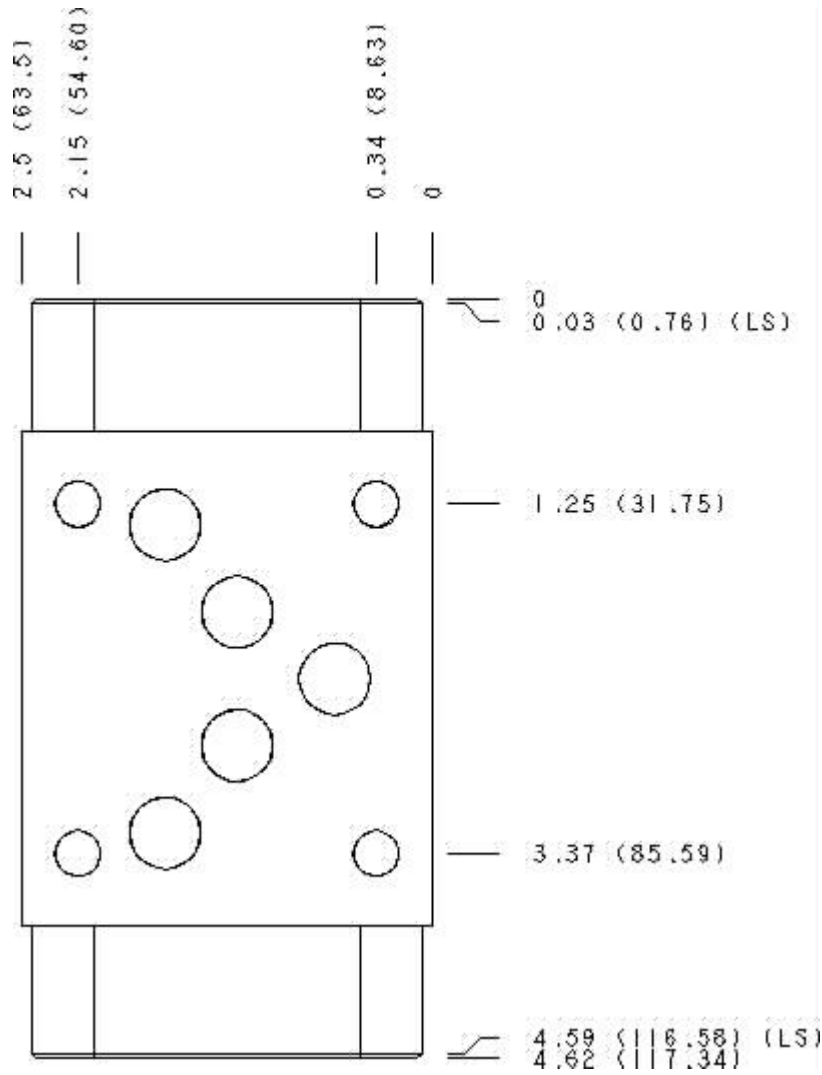
Face : 5



Cartridge extension measurement is to the centerline of the cartridge.



Face : 6



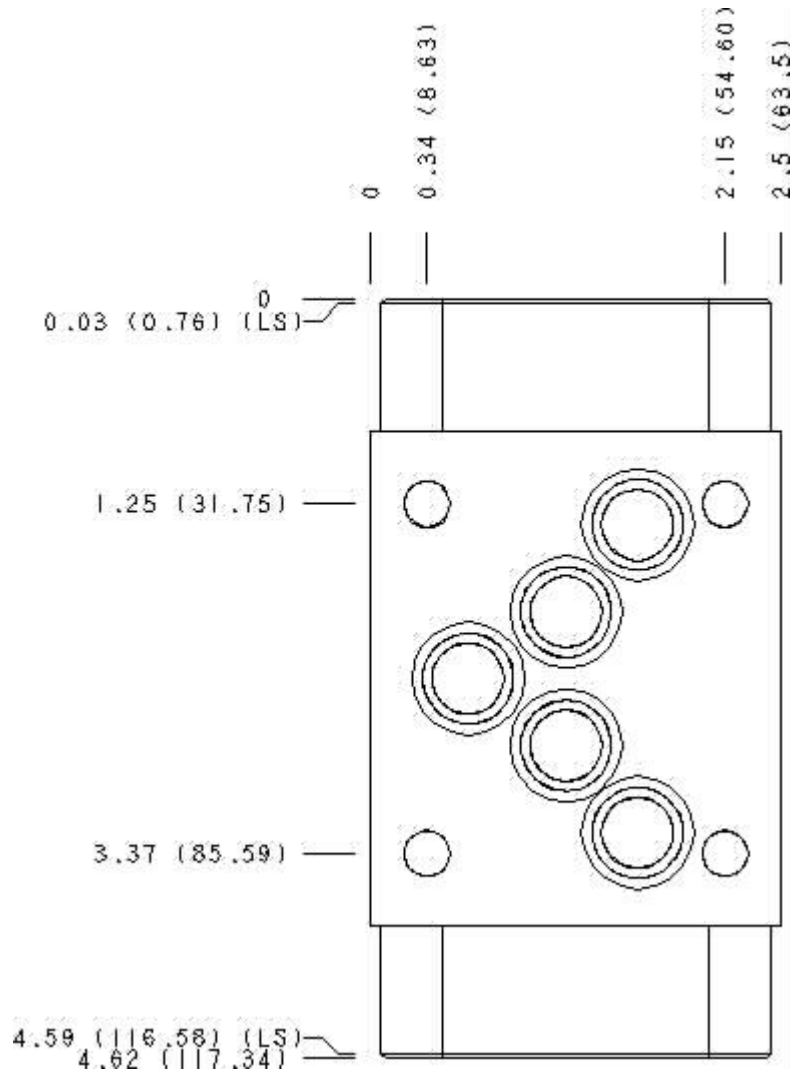
Cartridge extension measurement is to the centerline of the cartridge.



Functional Group:  
Products : Manifolds : Sandwich : Relief : ISO 05 : A and B to T

Model:  
CBD

Face : 8



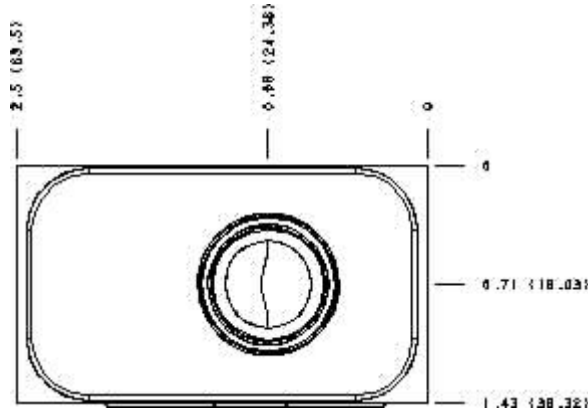
Cartridge extension measurement is to the centerline of the cartridge.



Functional Group:  
 Products : Manifolds : Sandwich : Relief : ISO 05 : A and B to T

Model:  
 CBD

Face : 10



Cartridge extension measurement is to the centerline of the cartridge.



Functional Group:

Products : Manifolds : Sandwich : Relief : ISO 05 : A and B to T

Model:  
CBD

Projection Type

All Dimensions in Inches(mm)

