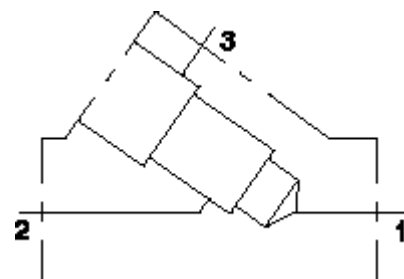


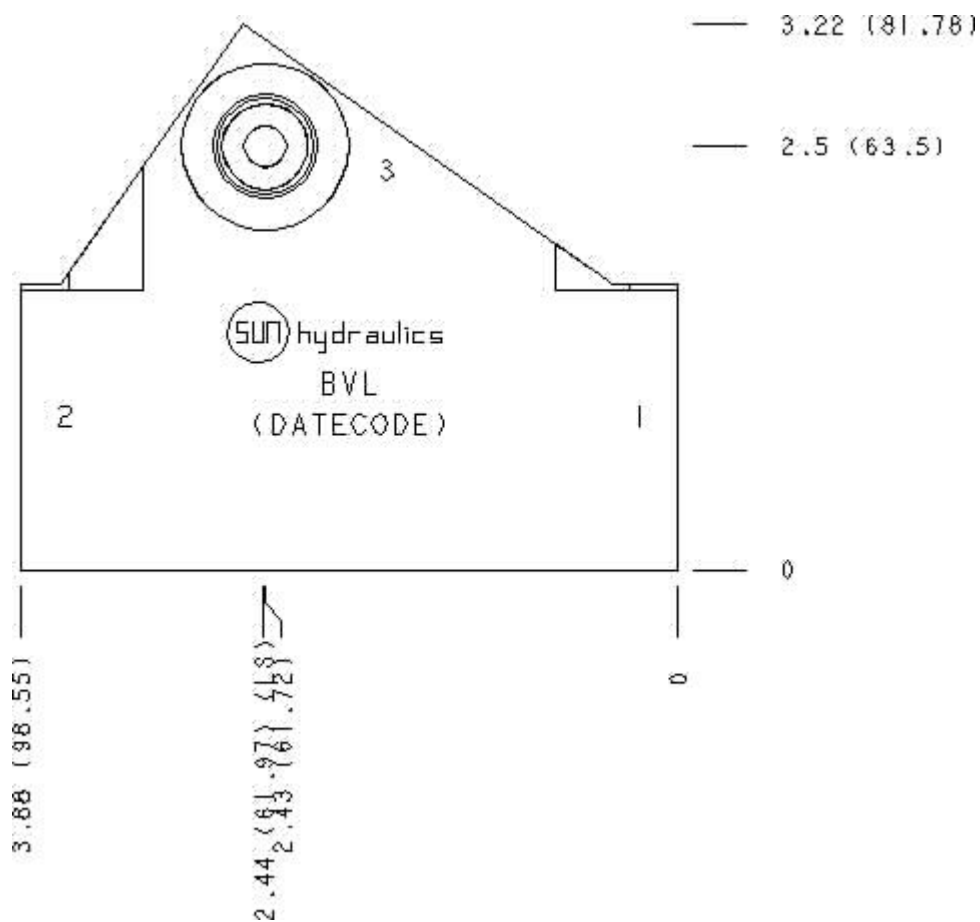
Functional Group:
 Products : Manifolds : Line mount : Circuit Saver : 3 Port : Inline

Model:
 BVL

Aluminum Body Pressure Rating: 3000 psi (210 bar)
 Ductile Iron Body Pressure Rating: 5000 psi (350 bar)



Face: 6



Cartridge extension measurement is to the centerline of the cartridge.

Port Headings and Sizes

BVL	Ports 1 & 2	SAE 12
BVL	Port 3	SAE 6

Technical Data

	U.S. Units	Metric Units
Model Weight	1.46 lb.	0.66 kg.
Cavity		T-2A
Body Features		Inline
Body Type		Line mount
Interface		None
Open Cavity Quantity		1
Mounting Hole Diameter	.34 in.	8.6 mm
Mounting Hole Depth		Through
Mounting Hole Quantity		2

Option Selection

U.S. Dollar ▼

Model Code	Description
BVL	Aluminum, Buna-N, U.S. Units
BVL/S	Ductile Iron, Buna-N, U.S. Units

Special Notes

- No Special Notes Available for selected model.