

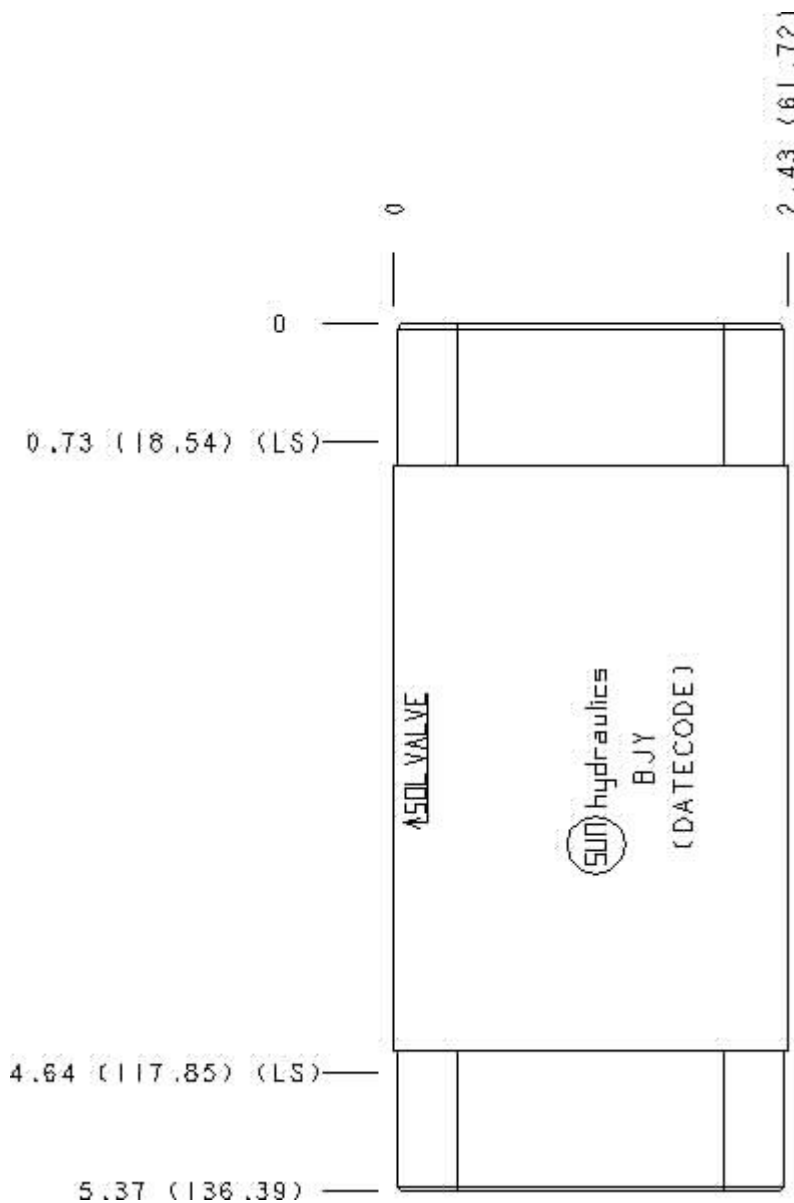
Functional Group:

Model:

Products : Manifolds : Sandwich : Counterbalance : ISO 05 X and Y : On A and B with cross pilot

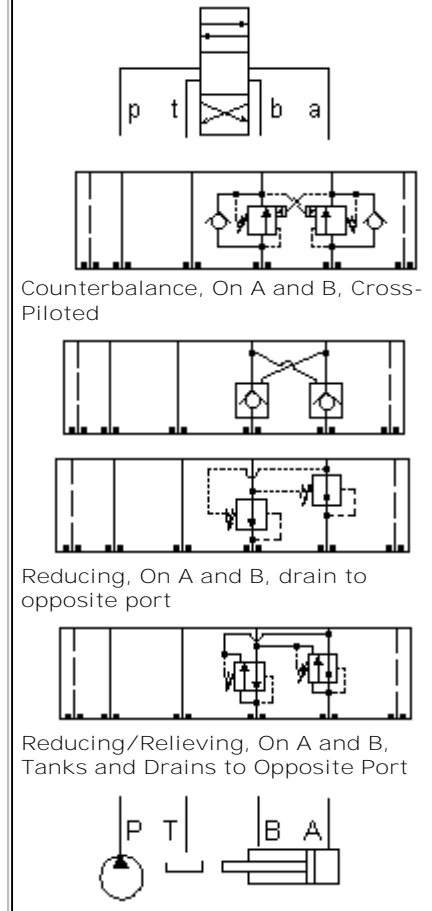
BJY

Face : 7



Cartridge extension measurement is to the centerline of the cartridge.

Function



Aluminum Body Pressure Rating: **3000 psi (210 bar)**
 Ductile Iron Body Pressure Rating: **5000 psi (350 bar)**

Technical Data



	U.S. Units	Metric Units
Model Weight	2.51 lb.	1.14 kg.
Cavity	T-2A	
Body Features	On A and B with cross pilot	
Body Type	Sandwich	
Interface	ISO 05 - X&Y	
Open Cavity Quantity	2	
Mounting Hole Diameter	.28 in.	7,1 mm
Mounting Hole Depth	Through	
Mounting Hole Quantity	4	

Option Selection:

Model Code	Description
BJY	Aluminum, Buna-N, U.S. Units
BJY	Aluminum, Buna-N, U.S. Units
BJY/S	Ductile Iron, Buna-N, U.S. Units
BJY/S	Ductile Iron, Buna-N, U.S. Units

Special Notes :

No Special Notes available for selected Model.

Related Information :

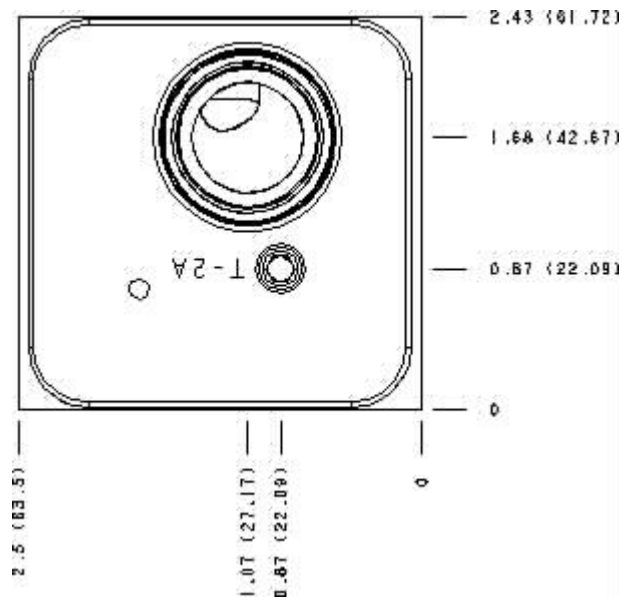
- 1 [The retainer and seal kit used with this ISO 05 X and Y sandwich determines which pattern, either European or US, is active. It must be ordered separately. Click here for more information.](#)



Functional Group:
 Products : Manifolds : Sandwich : Counterbalance : ISO 05 X and Y : On A and
 B with cross pilot

Model:
 BJY

Face : 2



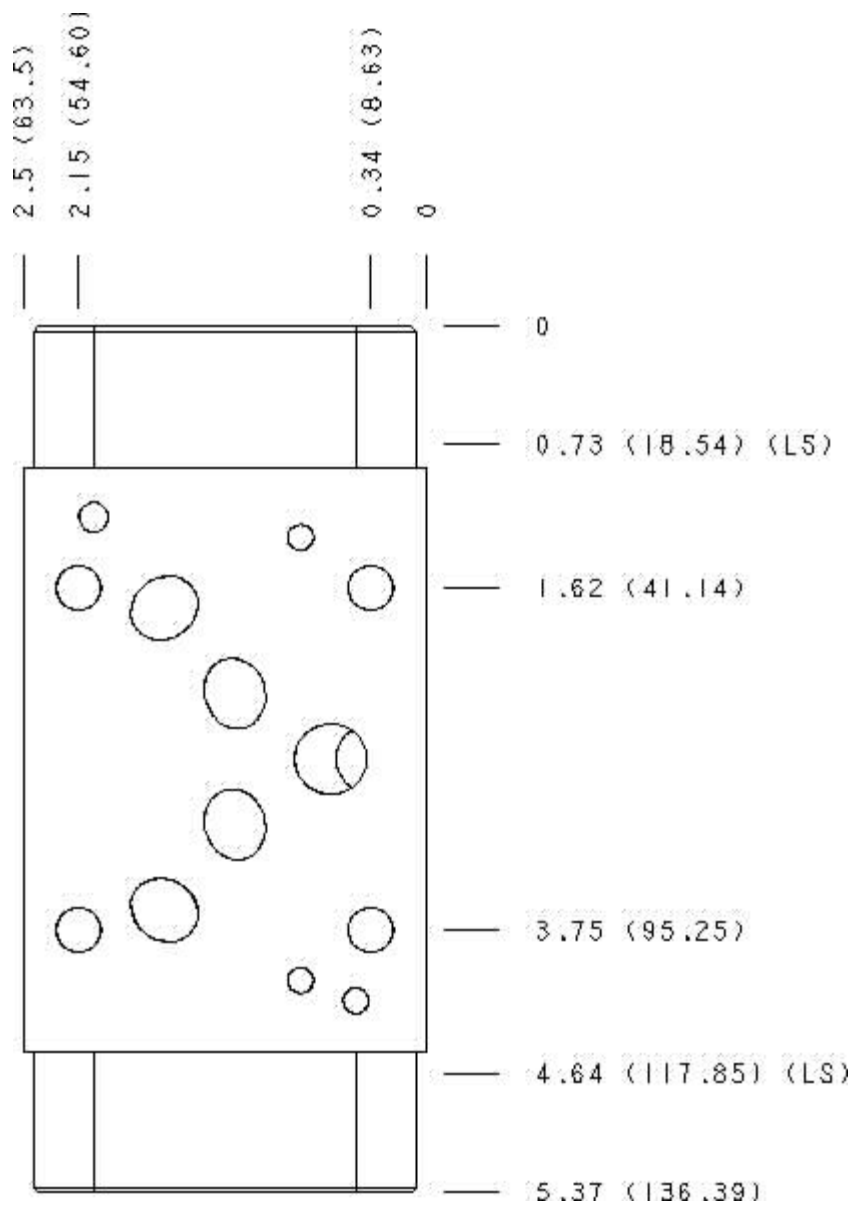
Cartridge extension measurement is to the centerline of the cartridge.



Functional Group:
 Products : Manifolds : Sandwich : Counterbalance : ISO 05 X and Y : On A and B with cross pilot

Model:
 BJY

Face : 6



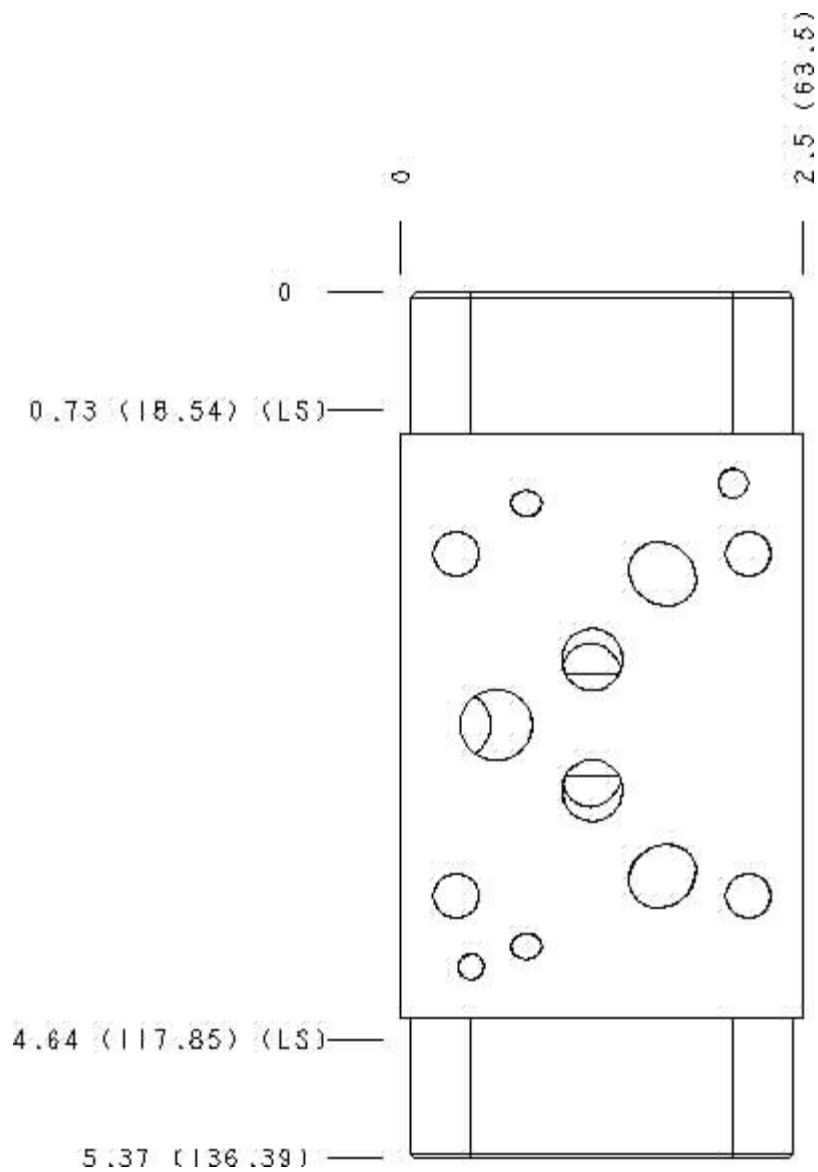
Cartridge extension measurement is to the centerline of the cartridge.



Functional Group:
 Products : Manifolds : Sandwich : Counterbalance : ISO 05 X and Y : On A and
 B with cross pilot

Model:
 BJY

Face : 8



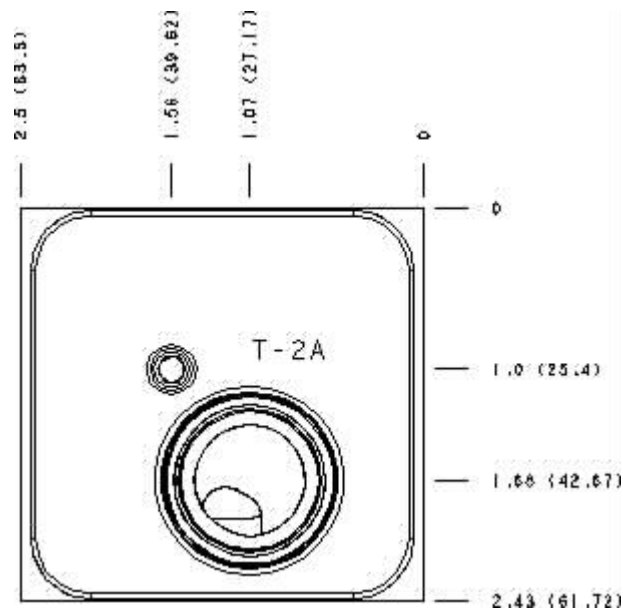
Cartridge extension measurement is to the centerline of the cartridge.



Functional Group:
 Products : Manifolds : Sandwich : Counterbalance : ISO 05 X and Y : On A and B with cross pilot

Model:
 BJY

Face : 10



Cartridge extension measurement is to the centerline of the cartridge.



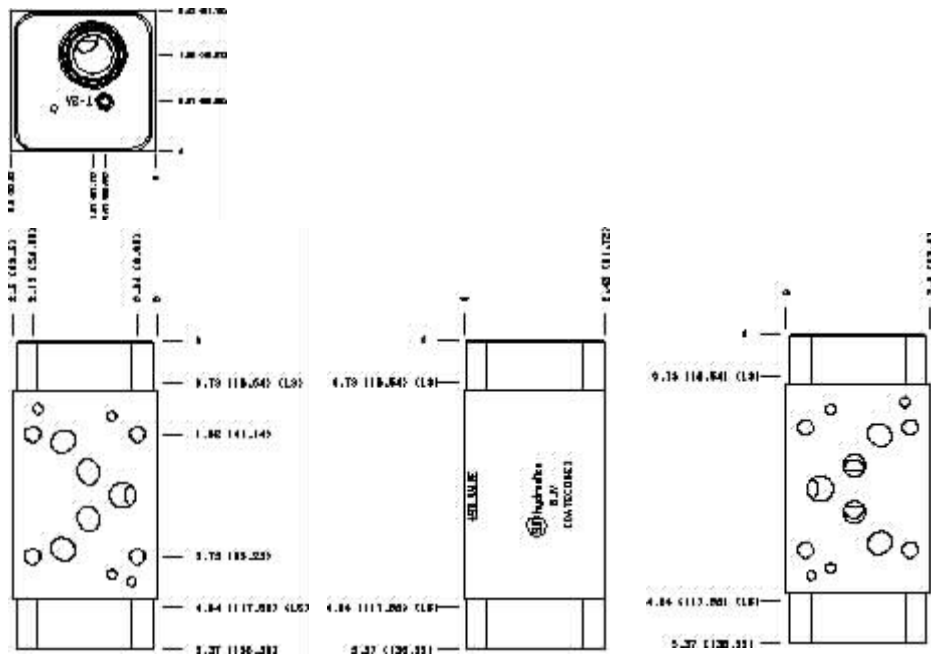
Functional Group:

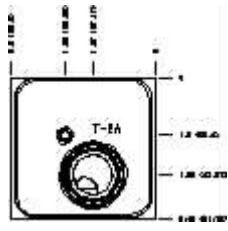
Products : Manifolds : Sandwich : Counterbalance : ISO
 05 X and Y : On A and B with cross pilot

Model:
 BJJ

Projection Type

All Dimensions in Inches(mm)





Copyright © 2003 Sun Hydraulics Corporation.
All rights reserved.

[Terms and Conditions](#) - [Statement of Privacy](#)