

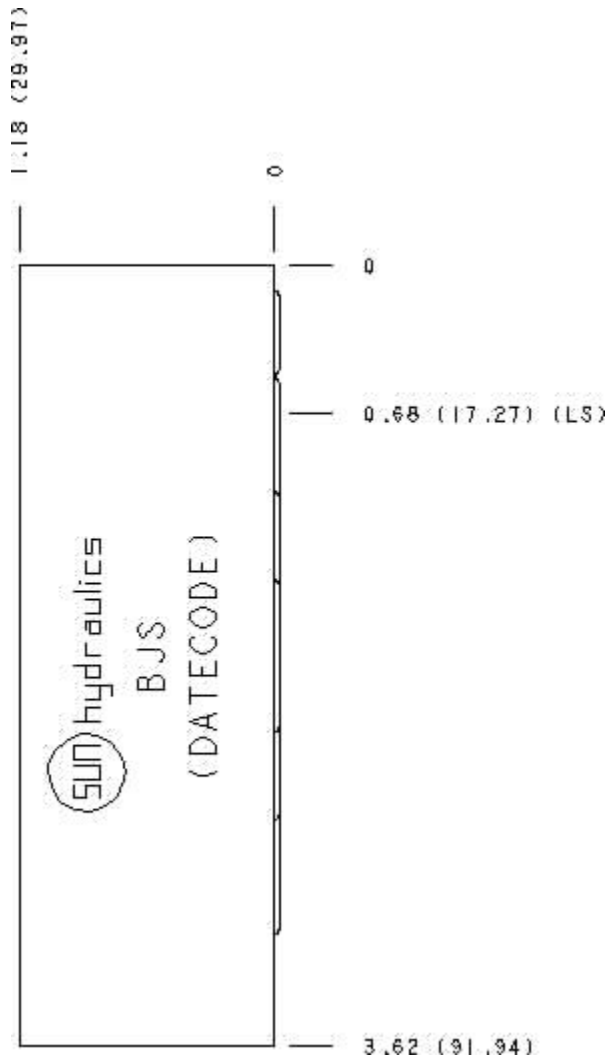
Functional Group:

Model:

Products : Manifolds : Sandwich : Shuttle Valve : ISO 05 X and Y : Load sense from A or B to Y port

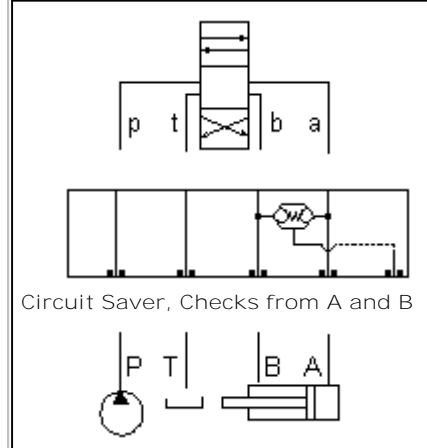
BJS

Face : 6



Cartridge extension measurement is to the centerline of the cartridge.

Function



Aluminum Body Pressure Rating: **3000 psi (210 bar)**

Ductile Iron Body Pressure Rating: **5000 psi (350 bar)**

Technical Data

	U.S. Units	Metric Units
Model Weight	0.84 lb.	0.38 kg.
Cavity	T-11A	
Body Features	Load sense from A or B to Y port	

Body Type	Sandwich	
Interface	ISO 05 - X&Y	
Open Cavity Quantity	1	

Option Selection:

Model Code	Description
BJS	Aluminum, Buna-N, U.S. Units
BJS	Aluminum, Buna-N, U.S. Units
BJS/S	Ductile Iron, Buna-N, U.S. Units
BJS/S	Ductile Iron, Buna-N, U.S. Units
BJS/V	Aluminum, Viton, U.S. Units
BJS/V	Aluminum, Viton, U.S. Units
BJS/Y	Ductile Iron, Viton, U.S. Units
BJS/Y	Ductile Iron, Viton, U.S. Units

Special Notes :

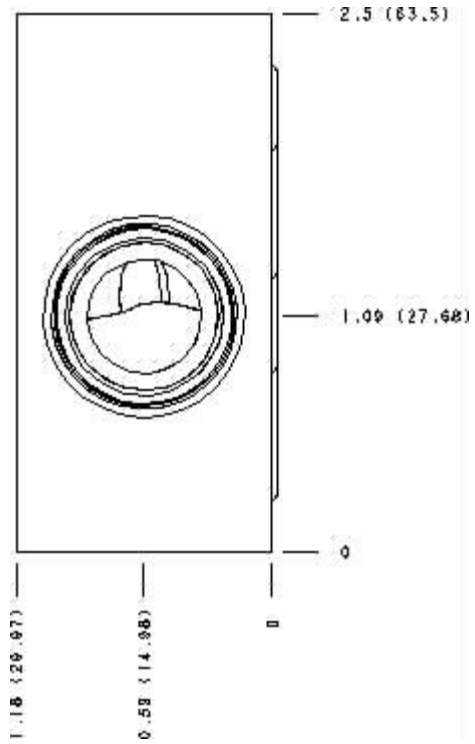
No Special Notes available for selected Model.



Functional Group:
Products : Manifolds : Sandwich : Shuttle Valve : ISO 05 X and Y : Load sense
from A or B to Y port

Model:
BJS

Face : 2



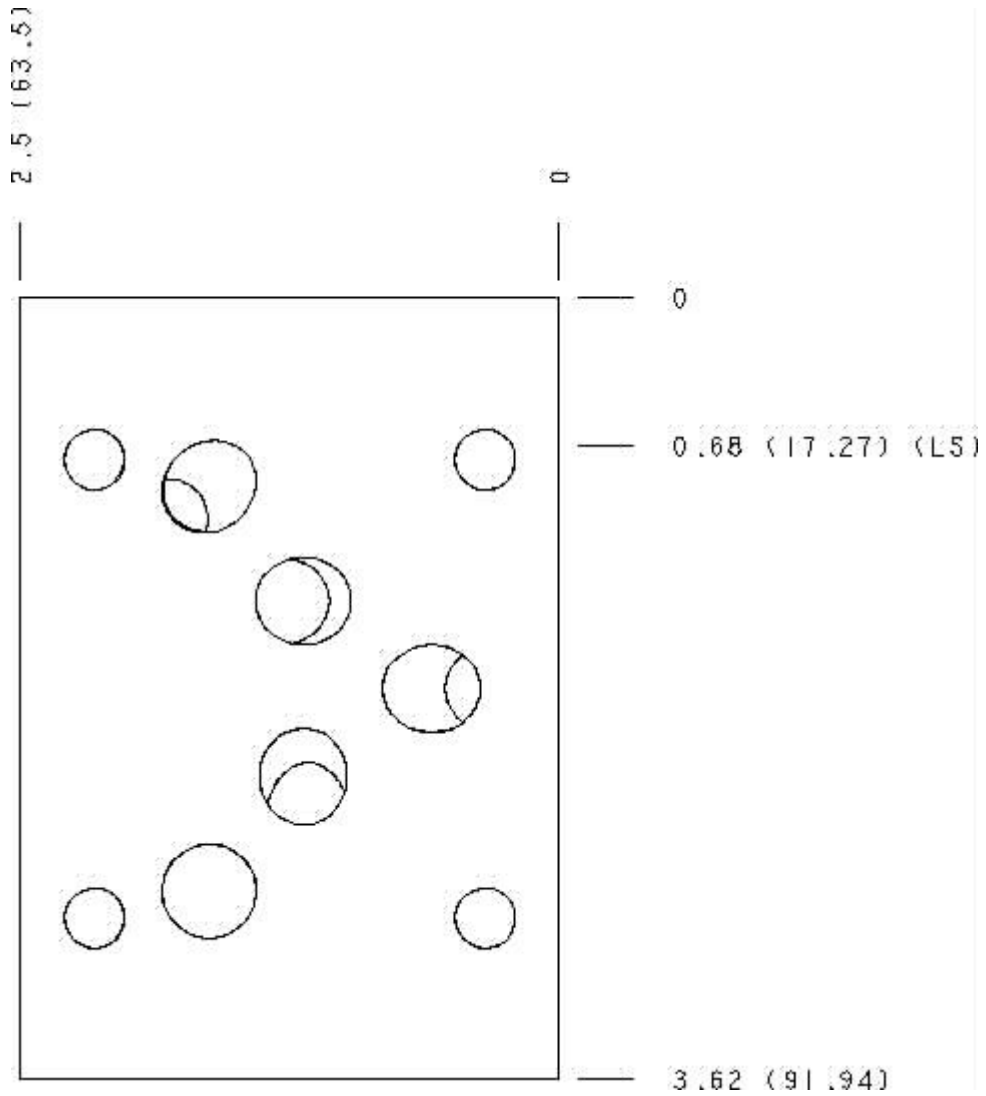
Cartridge extension measurement is to the centerline of the cartridge.



Functional Group:
 Products : Manifolds : Sandwich : Shuttle Valve : ISO 05 X and Y : Load sense
 from A or B to Y port

Model:
 BJS

Face : 5



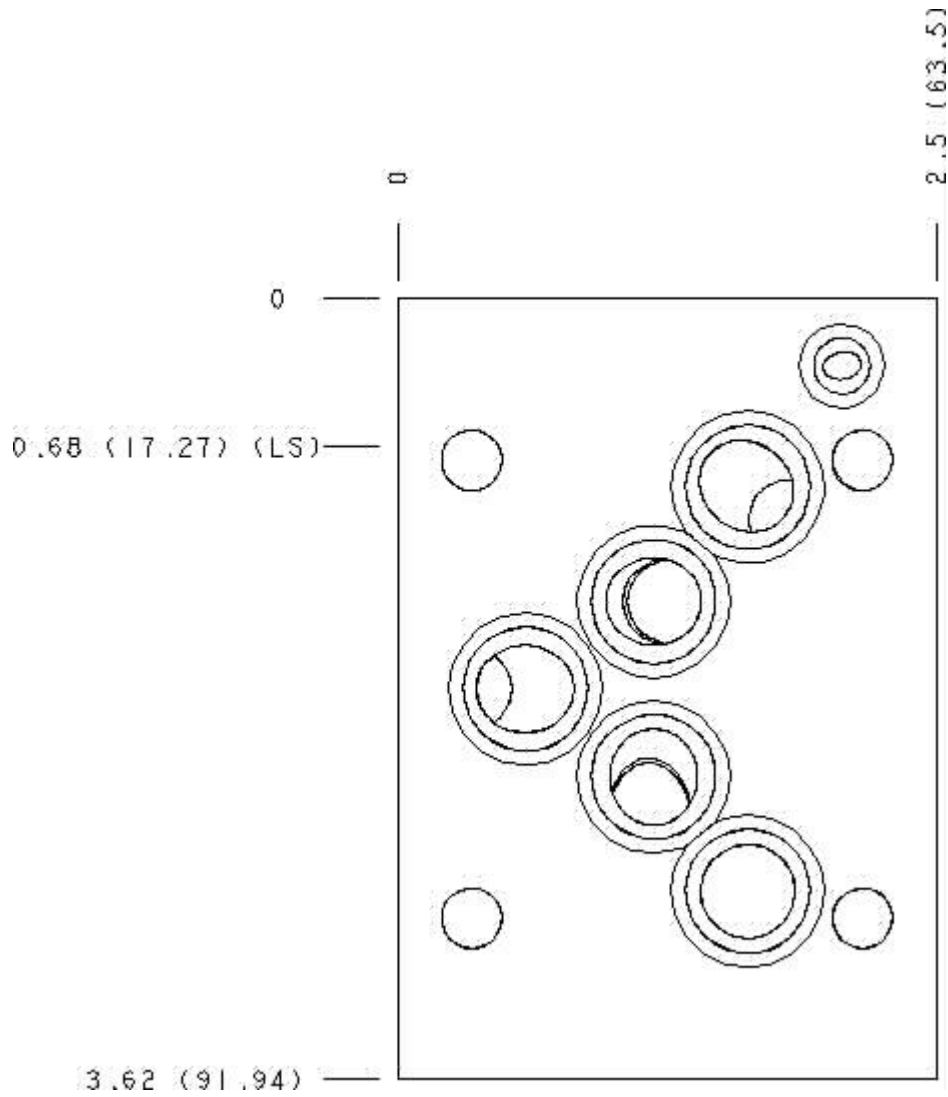
Cartridge extension measurement is to the centerline of the cartridge.



Functional Group:
 Products : Manifolds : Sandwich : Shuttle Valve : ISO 05 X and Y : Load sense
 from A or B to Y port

Model:
 BJS

Face : 7



Cartridge extension measurement is to the centerline of the cartridge.



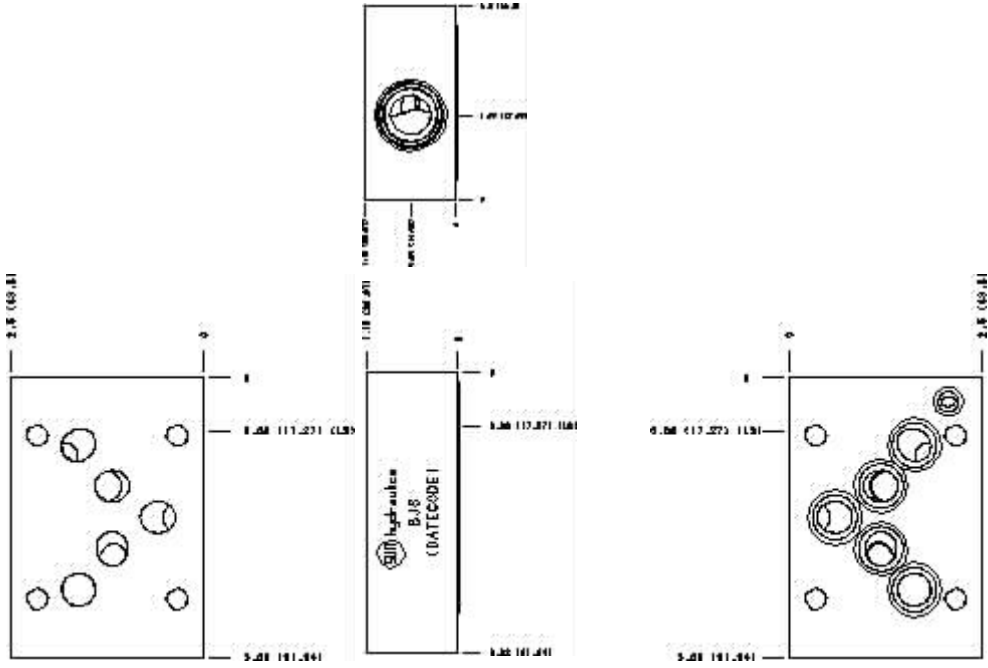
Functional Group:

Products : Manifolds : Sandwich : Shuttle Valve : ISO
 05 X and Y : Load sense from A or B to Y port

Model:
 BJS

Projection Type 

All Dimensions in Inches(mm)



Copyright © 2003 Sun Hydraulics Corporation.
All rights reserved.

[Terms and Conditions](#) - [Statement of Privacy](#)