

**TECHNICAL DATA**

Body Type	Line mount
Interface	None
Body Features	Port 3 connected to port 2
Mounting Hole Diameter	.41 in.
Mounting Hole Depth	Through
Mounting Hole Quantity	2

**NOTES** *Important:* Carefully consider the maximum system pressure. The pressure rating of the manifold is dependent on the manifold material, with the port type/size a secondary consideration. Manifolds constructed of aluminum are not rated for pressures higher than 3000 psi (210 bar), regardless of the port type/size specified.

**PORT DESIGNATORS**

Modifiers	Ports
BDD	All Ports: 3/4" NPTF;

**CONFIGURATION OPTIONS**

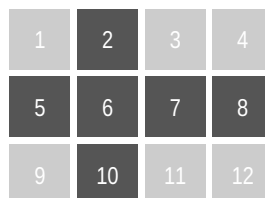
Model Code Example: BDD

**MODIFIER**

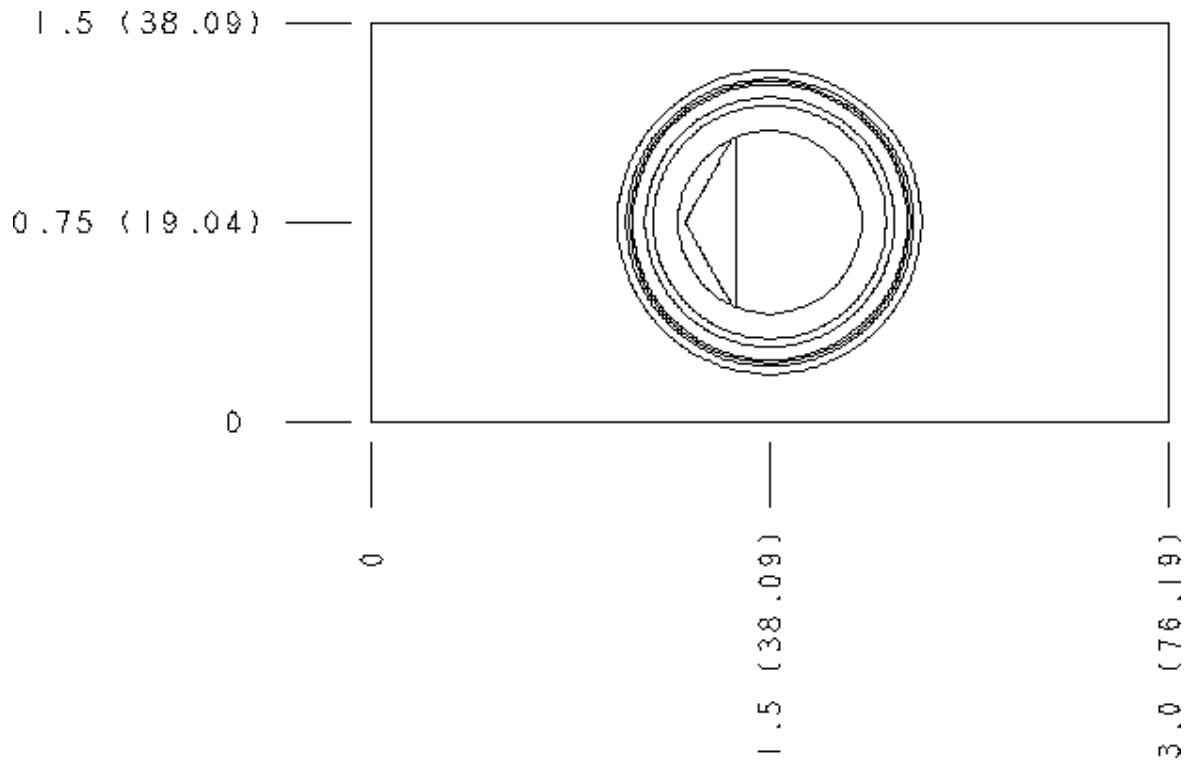
6061-T651 Aluminum, Buna-N  
IS 65-45-12 Ductile Iron, Buna-N, Blackened

**MANIFOLD FACES**

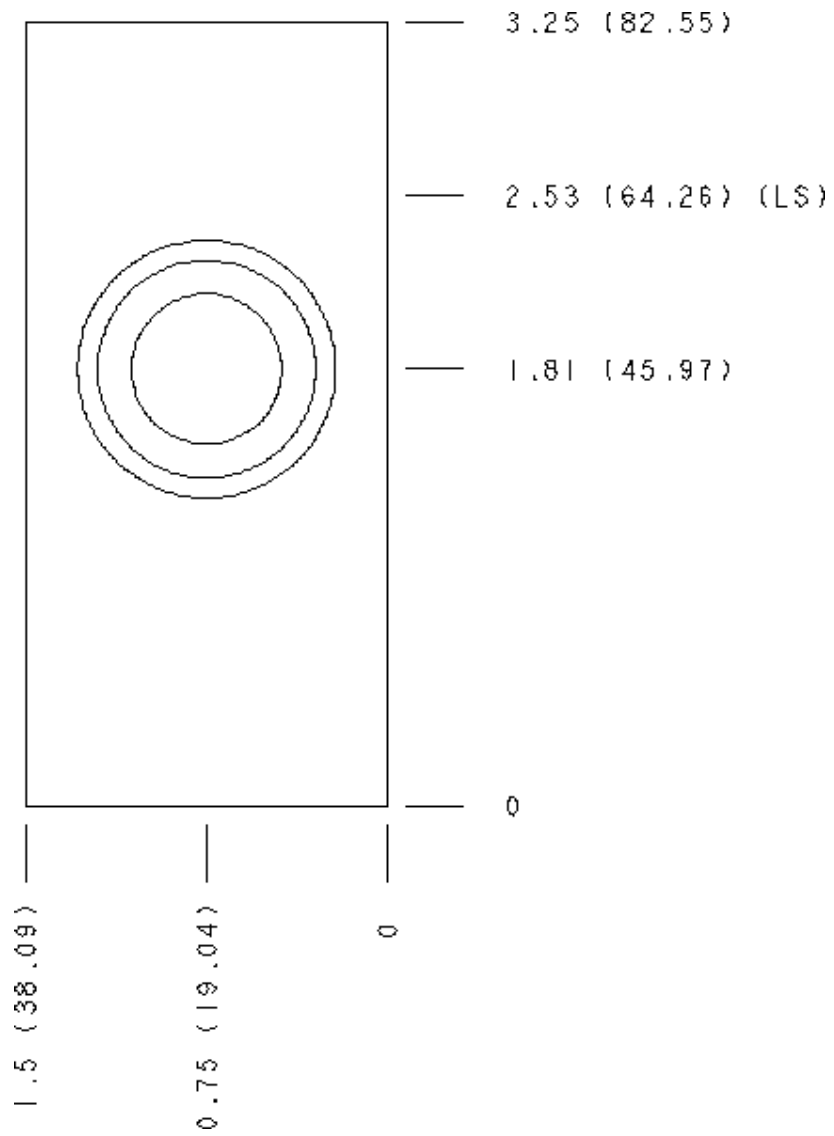
**FACE GRID**



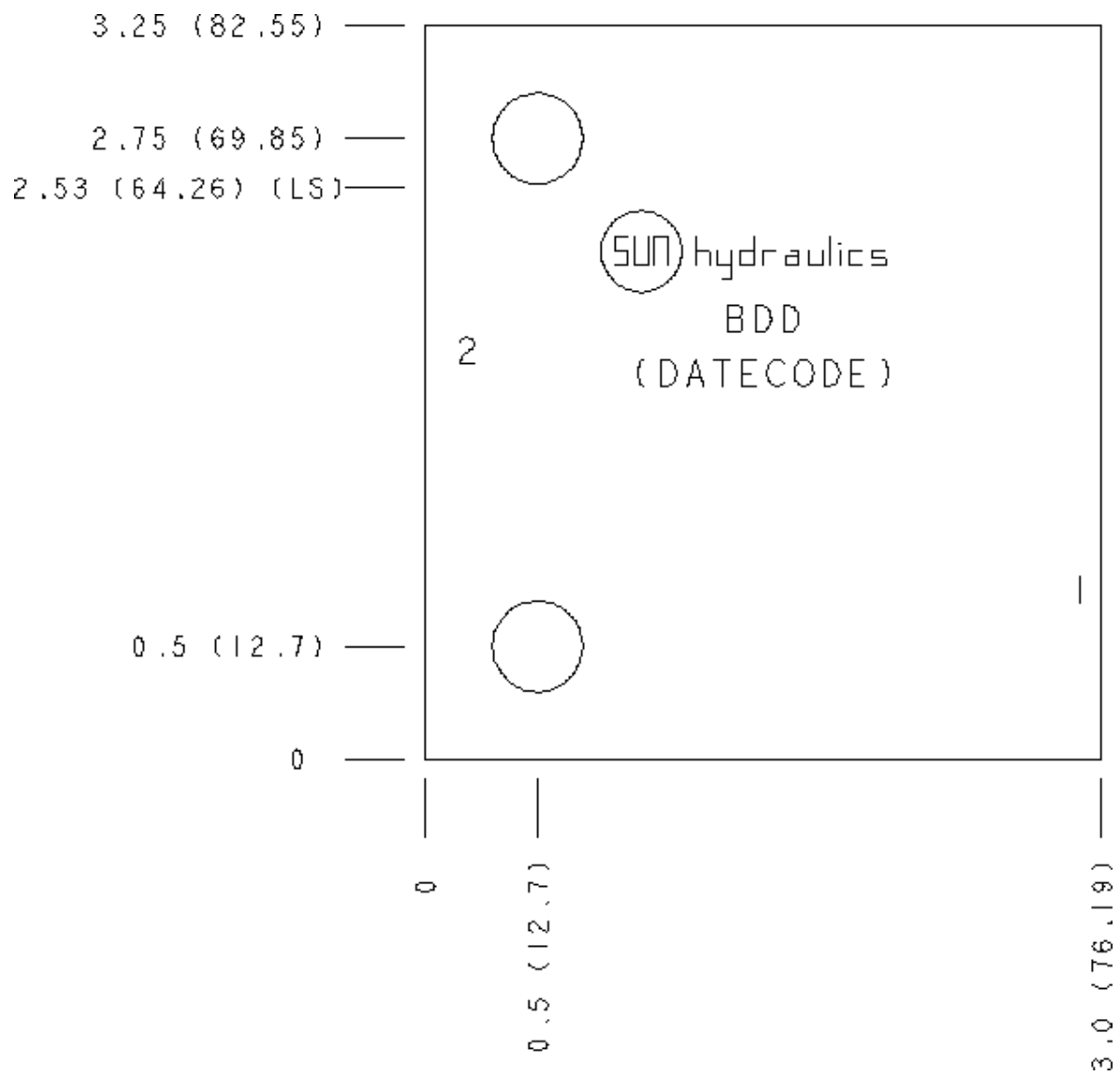
**Face 2**



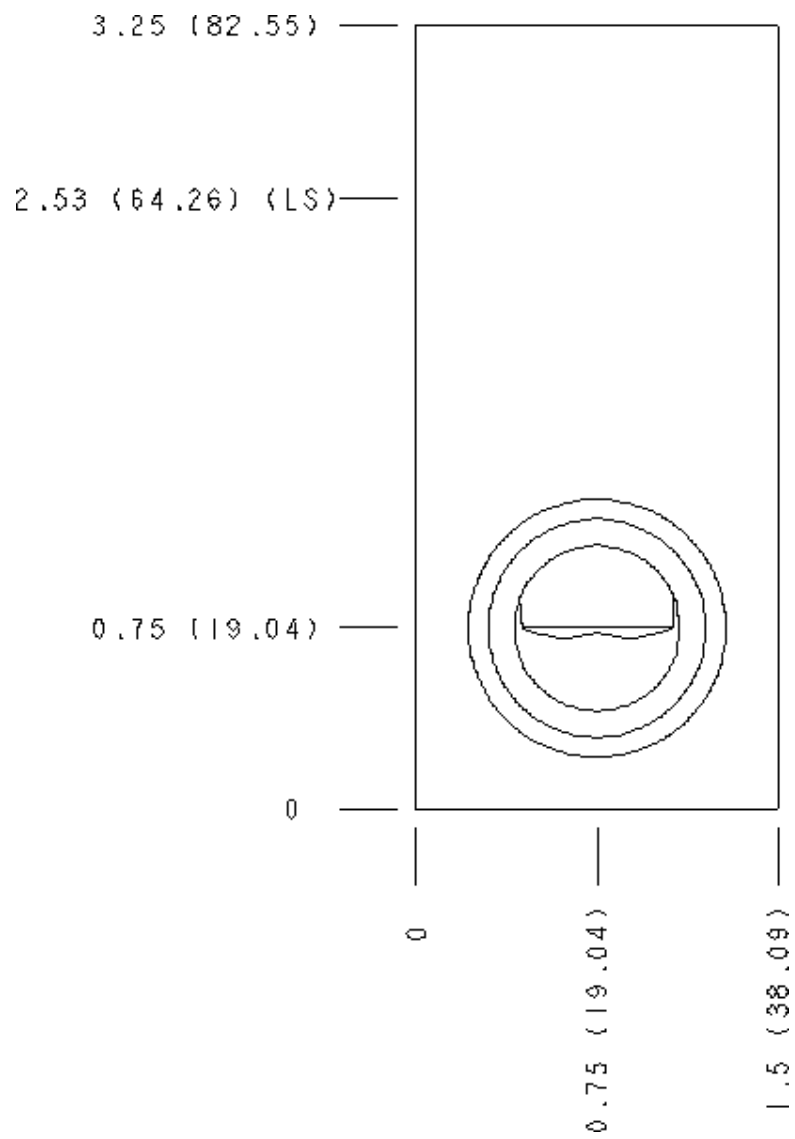
**Face 5**



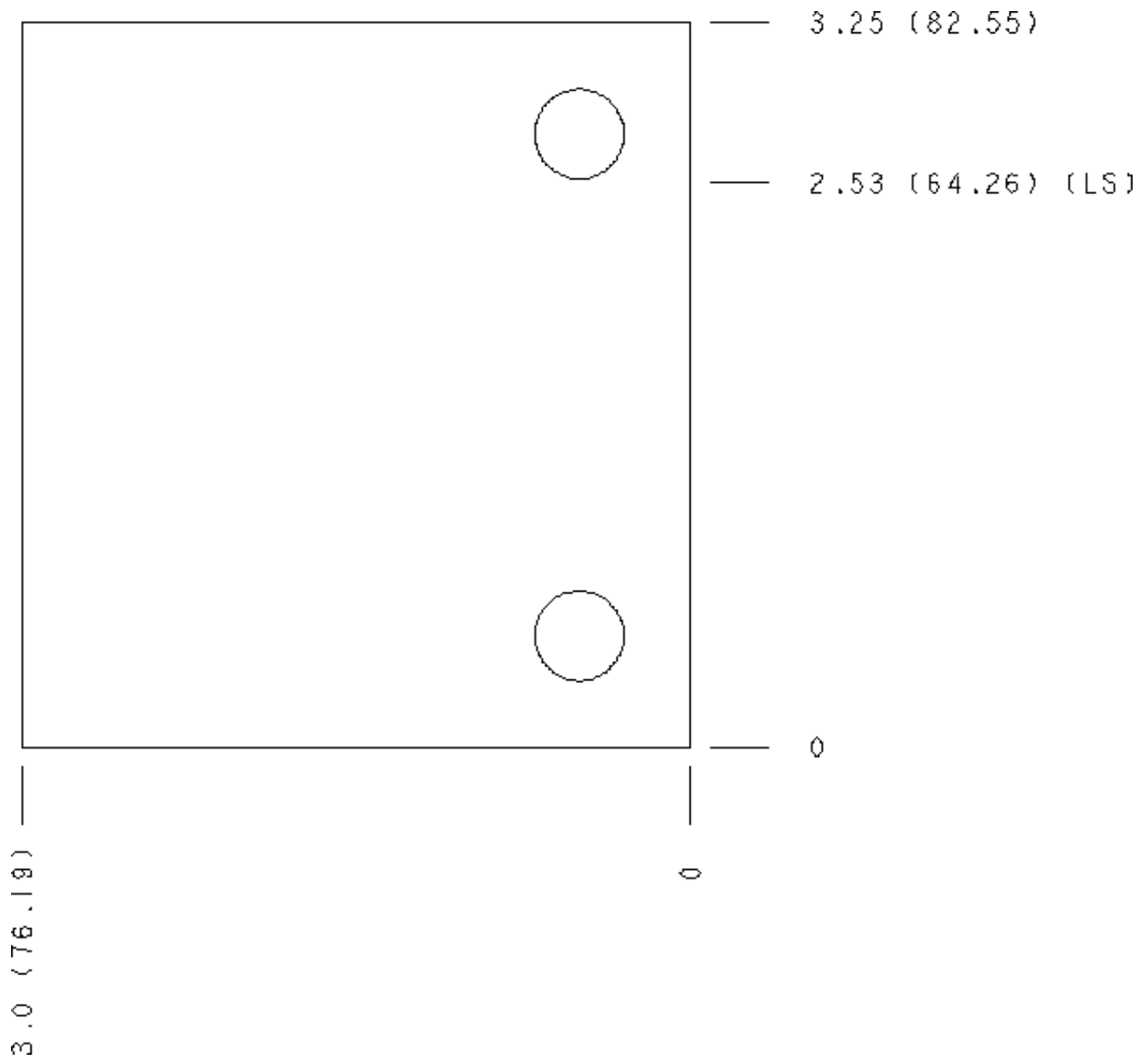
**Face 6**



**Face 7**



**Face 8**



**Face 10**

